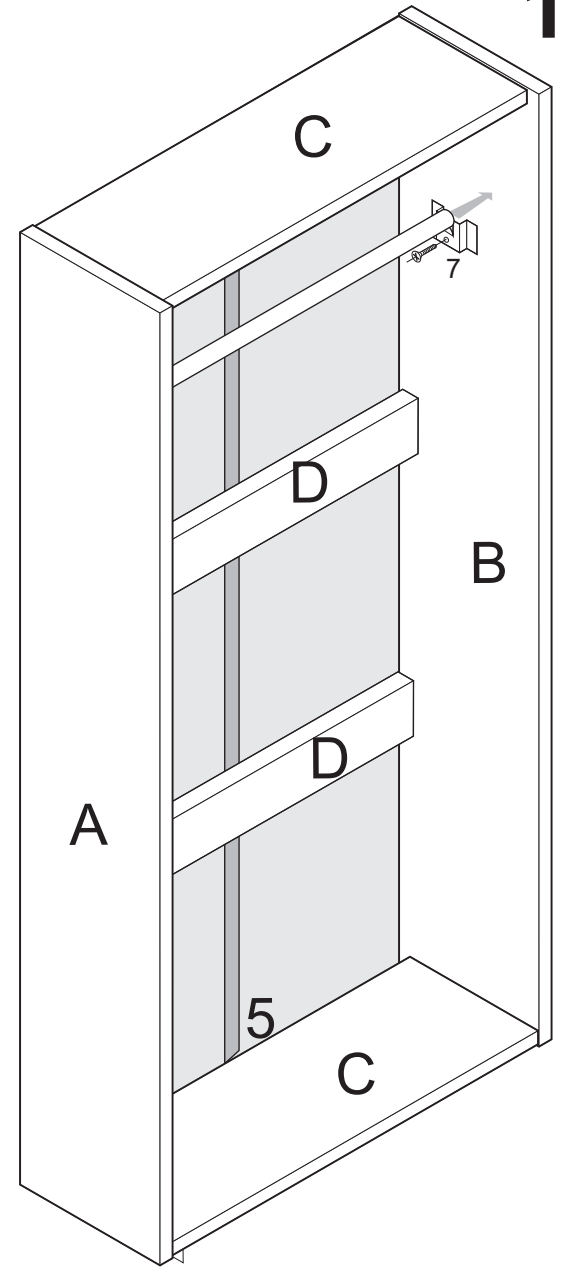
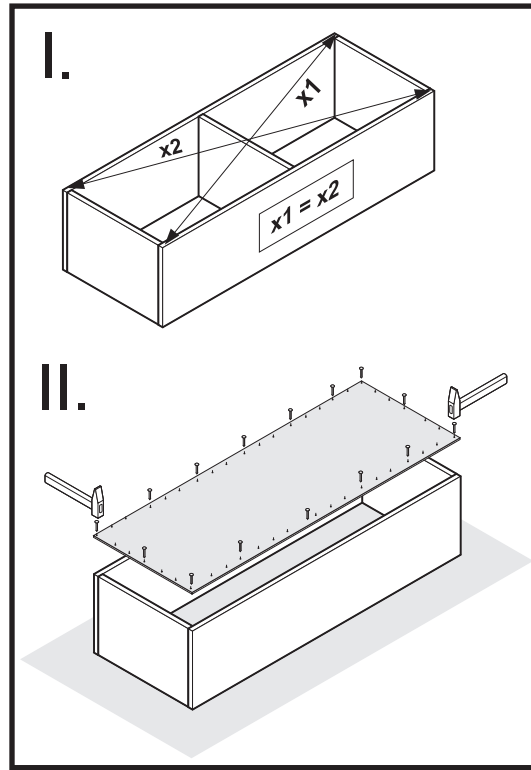
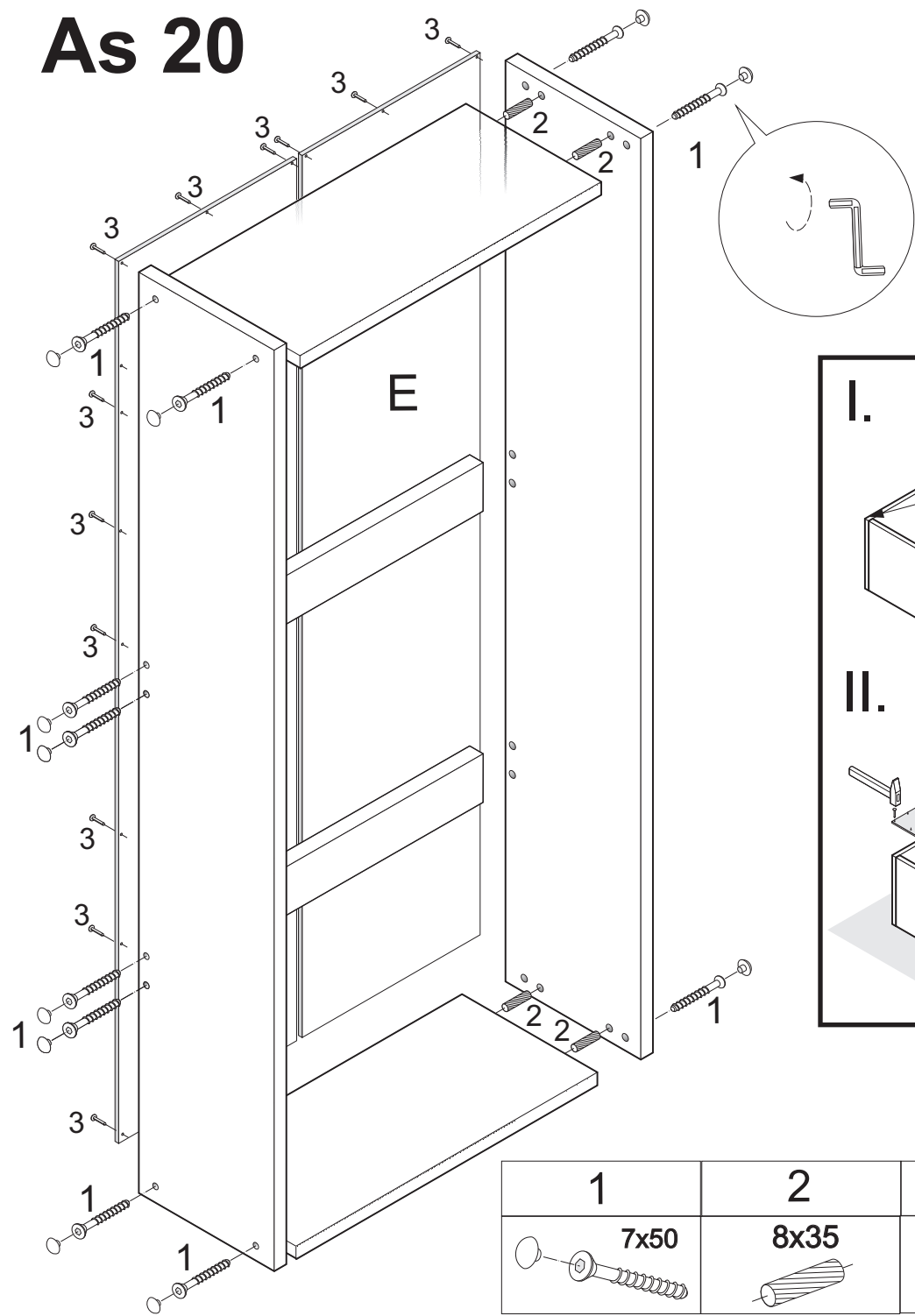
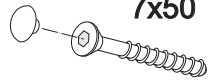



As 20



1	2	3	4	5	6	7	8
 7x50	 8x35	