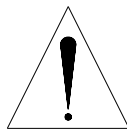
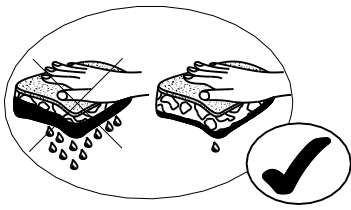
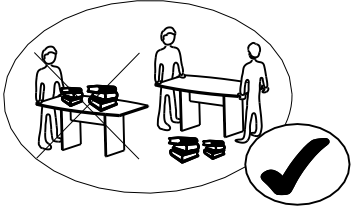
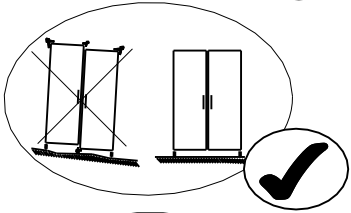
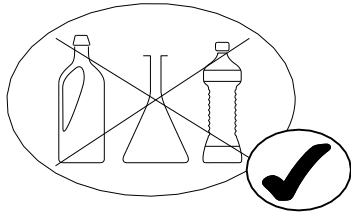
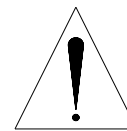


D MEUBLES
DEMEYERE

PETRA KOMODA 1529 0



1H 30MN



FR SECURITE
RESPECTER LES INSTRUCTIONS DE MONTAGE DECRIRES DANS LA NOTICE.

EN CAUTION
FOLLOW CAREFULLY THE ASSEMBLING INSTRUCTIONS DESCRIBED IN THE DIRECTIONS.

DE SICHERHEITSVORSCHRIFTEN
BEACHTEN SIE BITTE UNBEDINGT DIE ANGEGBENEN AUFBAUVORSCHRIFTEN.

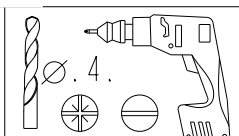
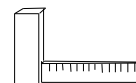
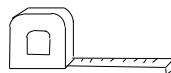
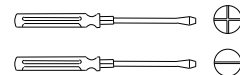
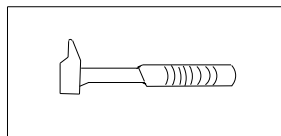
ES SEGURIDAD
RESPECTAR LAS INSTRUCCIONES DE MONTAJE DESCRIBIDAS EN EL FOLLETO.

NL VEILIGHEID
DE IN DE GEBRUIKSAANWIJZING BESCHREVEN INSTRUCTIES RESPECTEREN.

IT SICUREZZA
RISPETTARE LE INSTRUZIONI DI MONTAGGIO DESCRITTE NEEL 'AVVERTENZA.

PT SEGURANCA
RESPEITAR AS INSTURACOS DE MONTAGEM DESCRÉVEDAS NA INSTRUÇÕES DE USO.

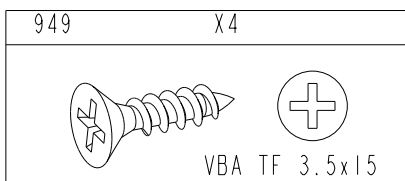
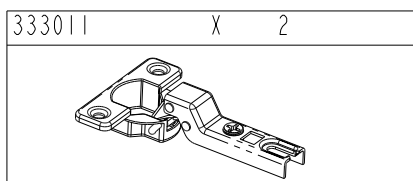
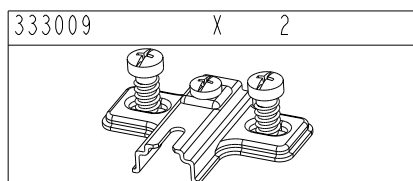
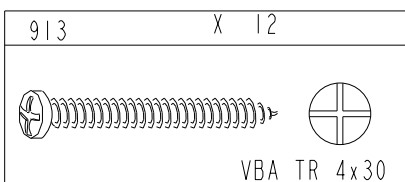
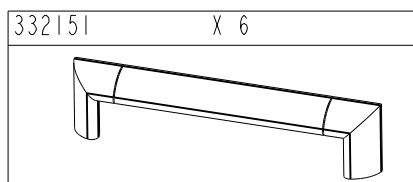
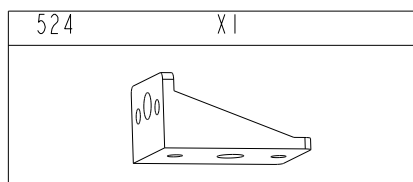
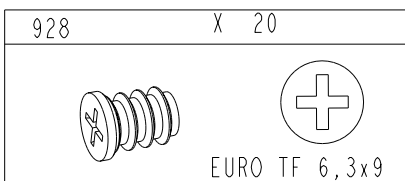
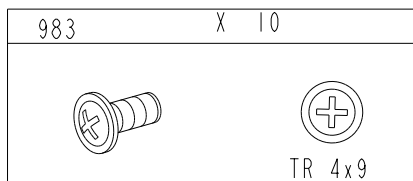
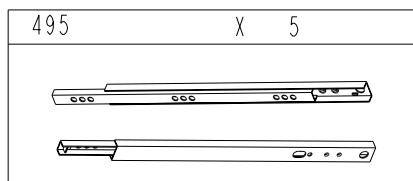
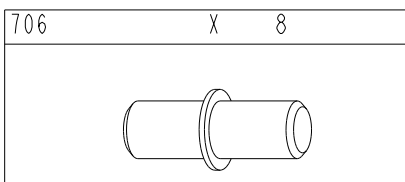
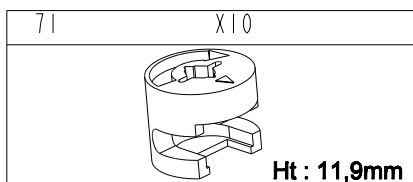
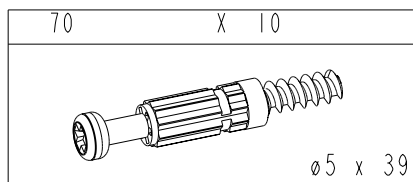
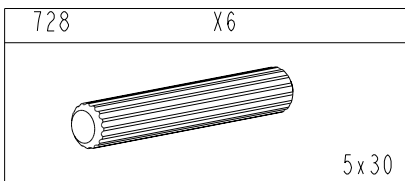
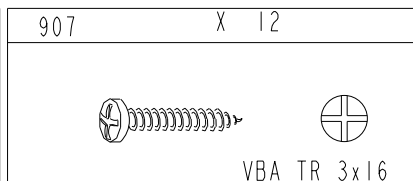
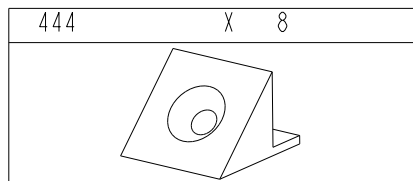
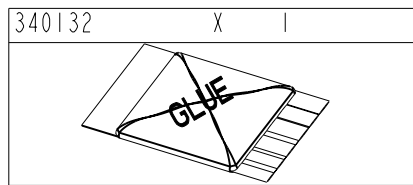
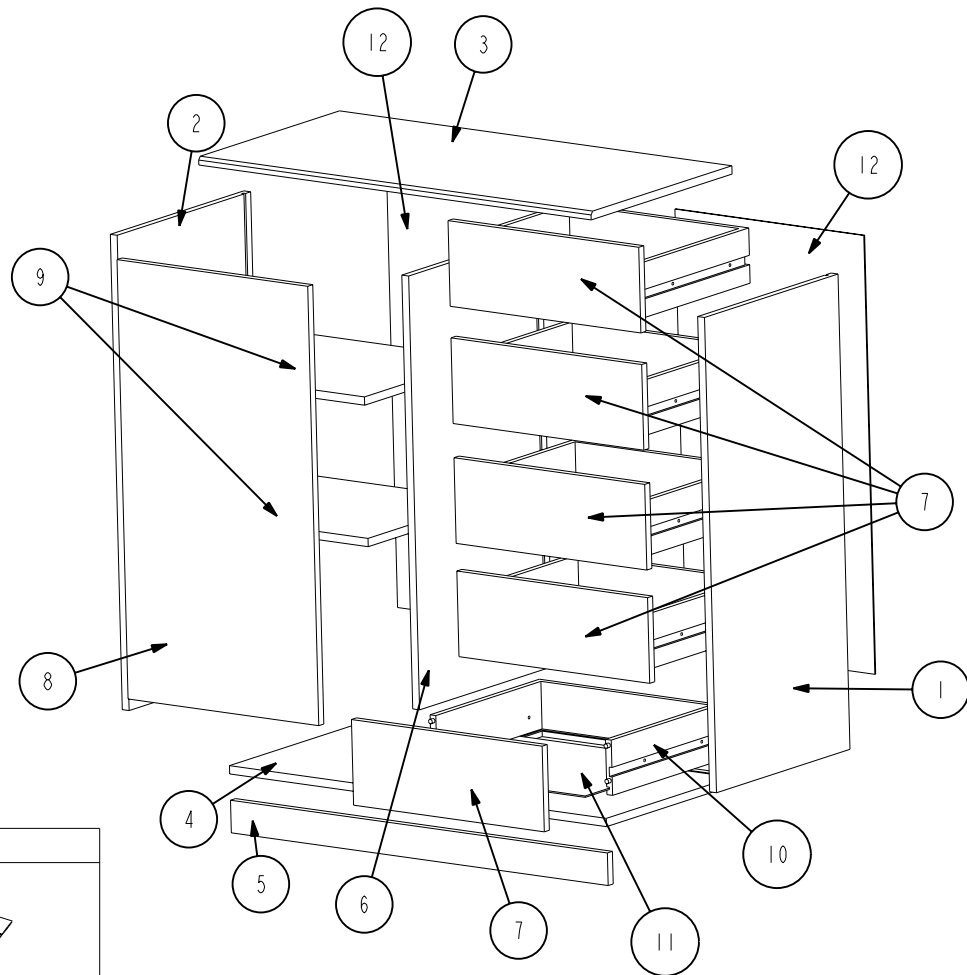
SK POSTUPOUJTE OPATRNE PODĽA MONTÁŽNEHO NÁVODU




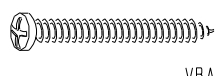


FABRICATION FRANCAISE

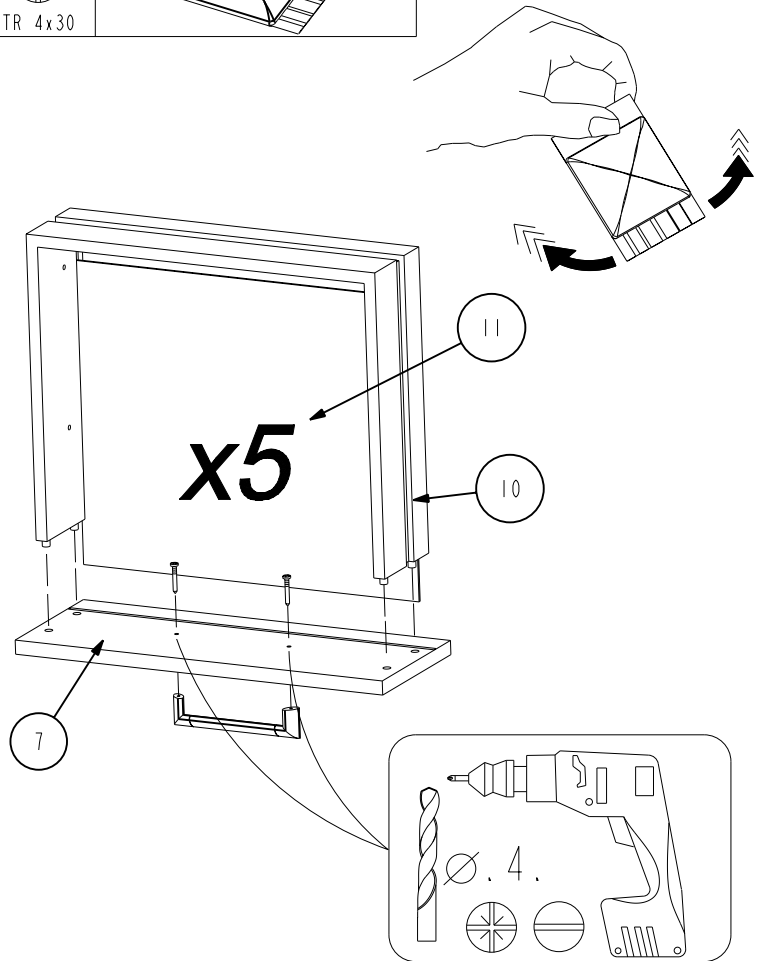
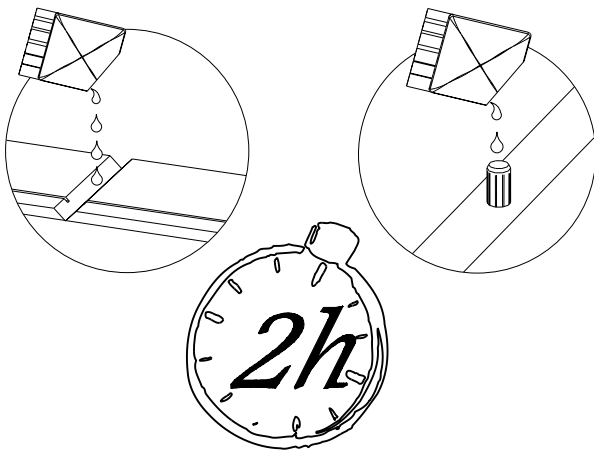
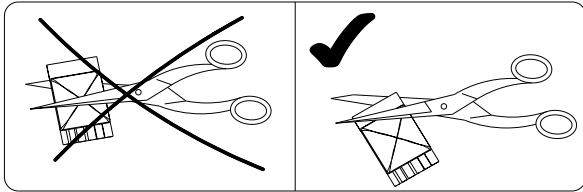
1 / 9

Č	ROZMER	Q
1	860 x 397	1
2	860 x 397	1
3	860 x 419	1
4	826 x 396	1
5	826 x 59	1
6	785 x 395	1
7	418 x 155	5
8	795 x 418	1
9	405 x 353	2
10	325 x 397	5
11	382 x 323	5
12	794 x 414	2

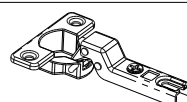
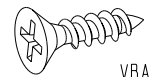






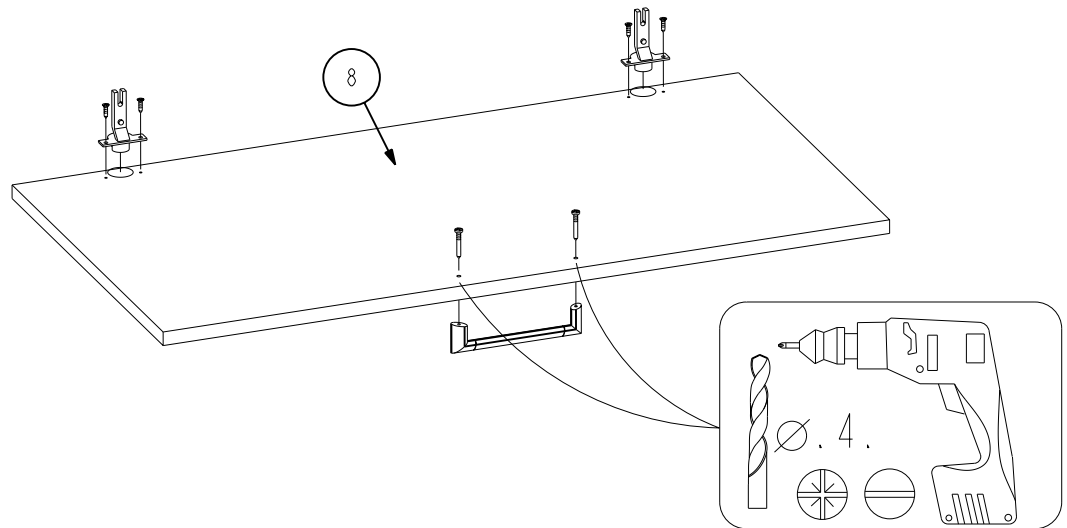
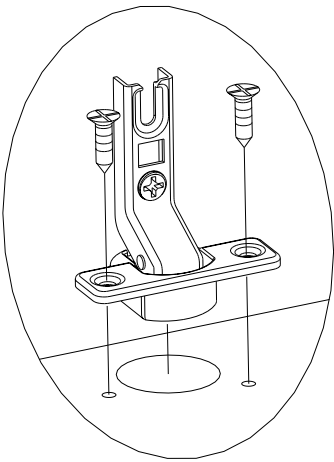
1

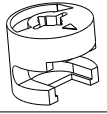
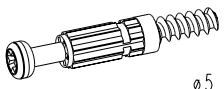
332151 X 5	913 X10	340132 X 1
	  VBA TR 4x30	

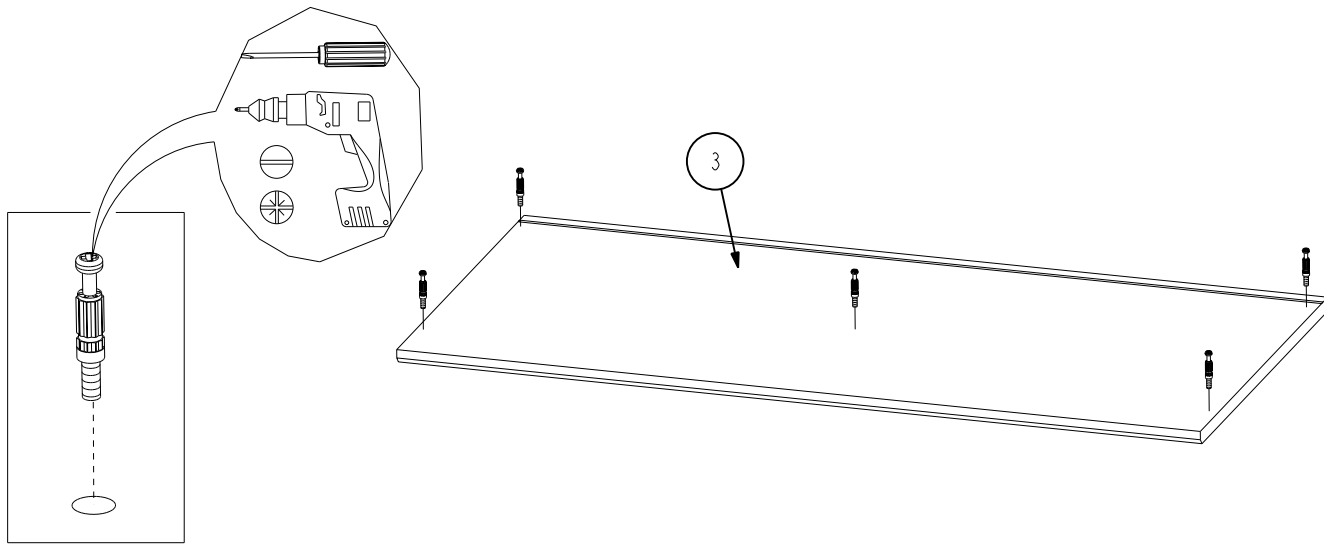
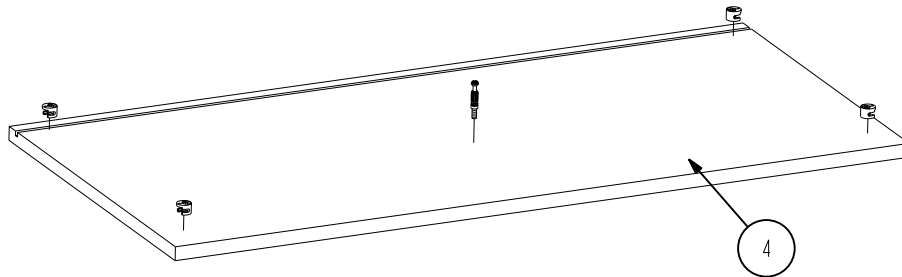
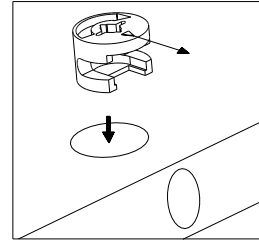


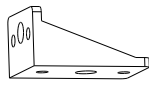
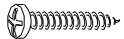

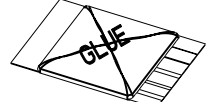
2

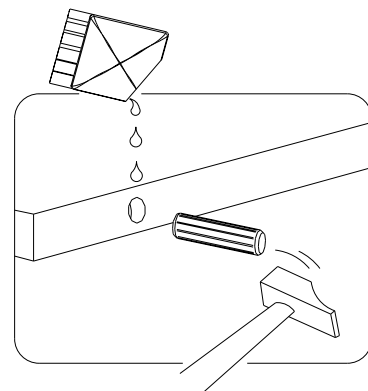
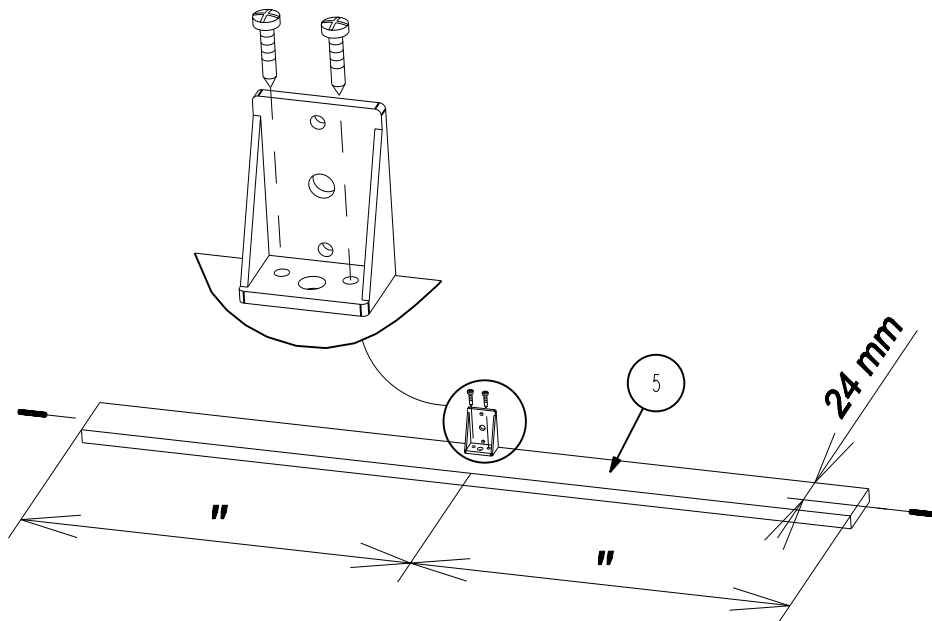
333011 X 2	949 X4	332151 X 1	913 X 2
	  VBA TF 3.5x15		  VBA TR 4x30



3	71 X 4	70 X 6
	 Ht: 11,9mm	 ø5 x 39



4	524 X 1	907 X 2	728 X 2	340132 X 1
		 VBA TR 3x16	 5x30	



5	71 X6 Ht : 11,9mm	70 X 4 ø5 x 39	495 X 5 	928 X 20 EURO TF 6,3x9
333009 X 2 	728 X 4 5x30	340132 X 1 GLUE		

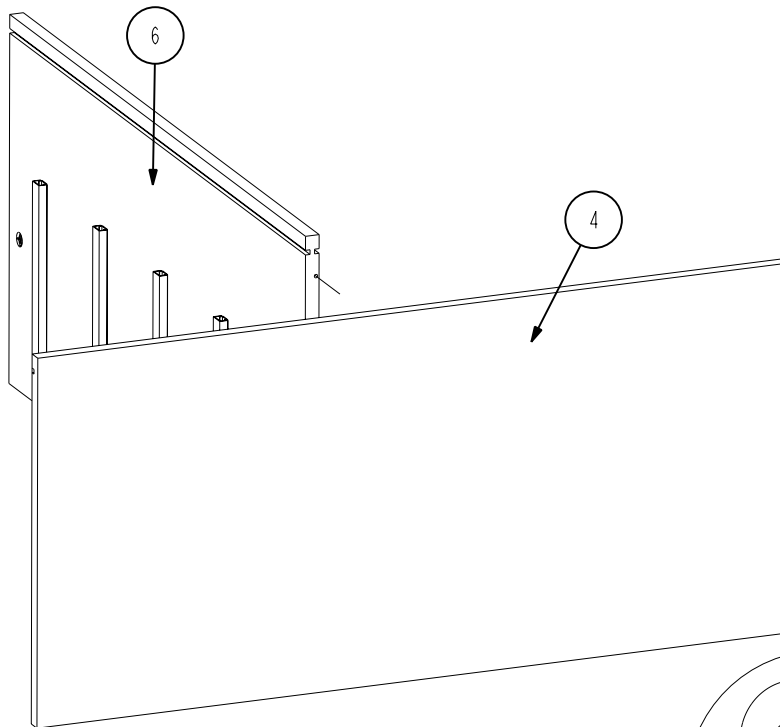
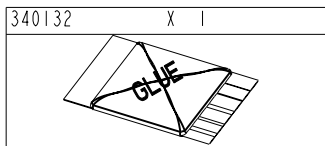
The assembly process is shown in several stages:

- Step 1:** A rectangular frame is formed by joining four long metal rods (part 495) using the circular metal rings (part 928) at the corners. The rods are secured with screws (part 70).
- Step 2:** The frame is reinforced with four shorter metal rods (part 728) across its width. These are secured with screws (part 70) and the metal brackets (part 333009).
- Step 3:** The final assembly is completed by attaching the remaining long metal rods (part 495) to the frame, secured with screws (part 70).

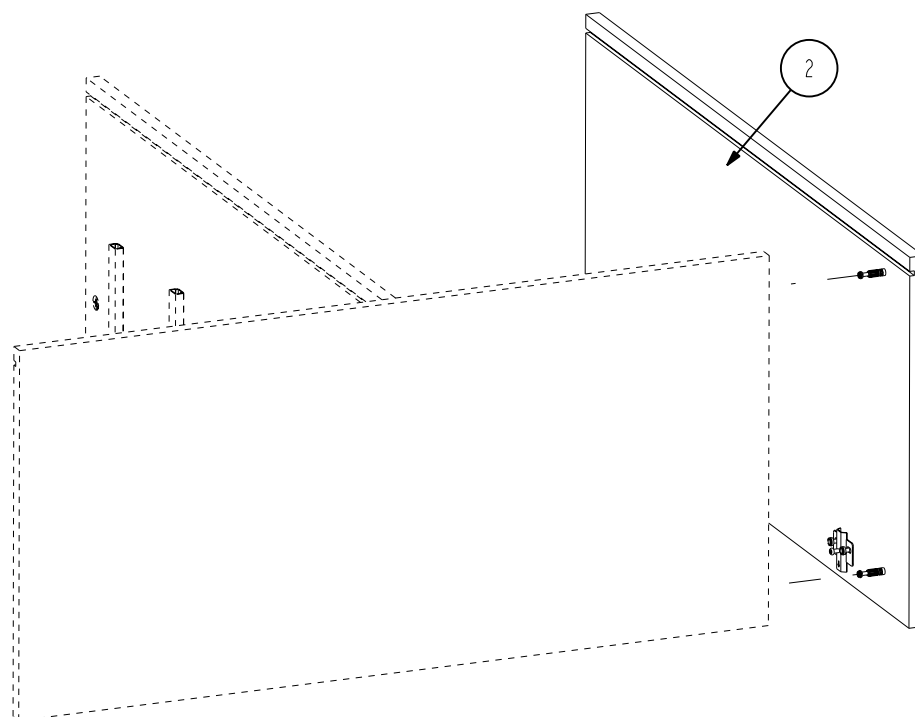
Key assembly instructions and warnings:

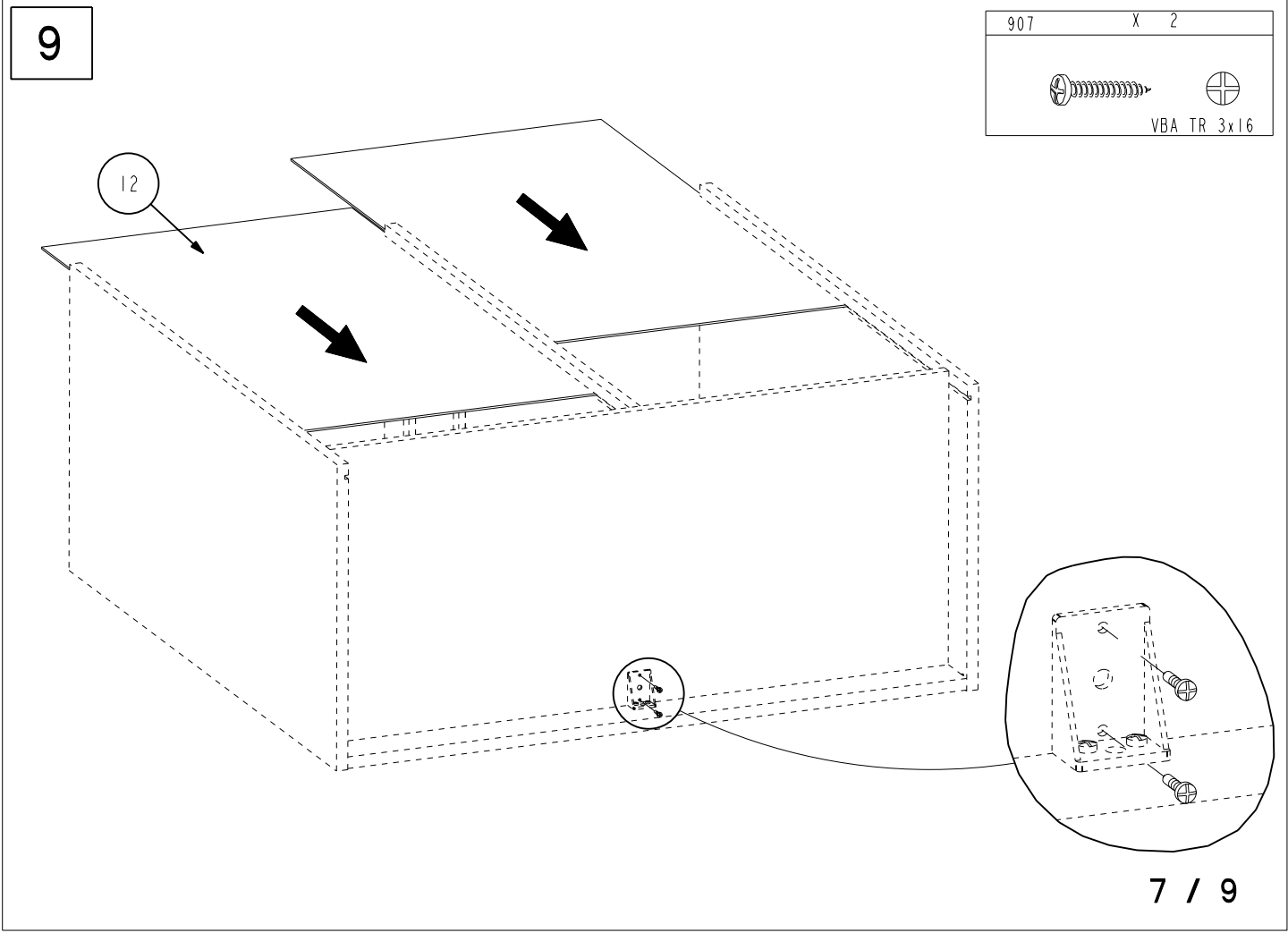
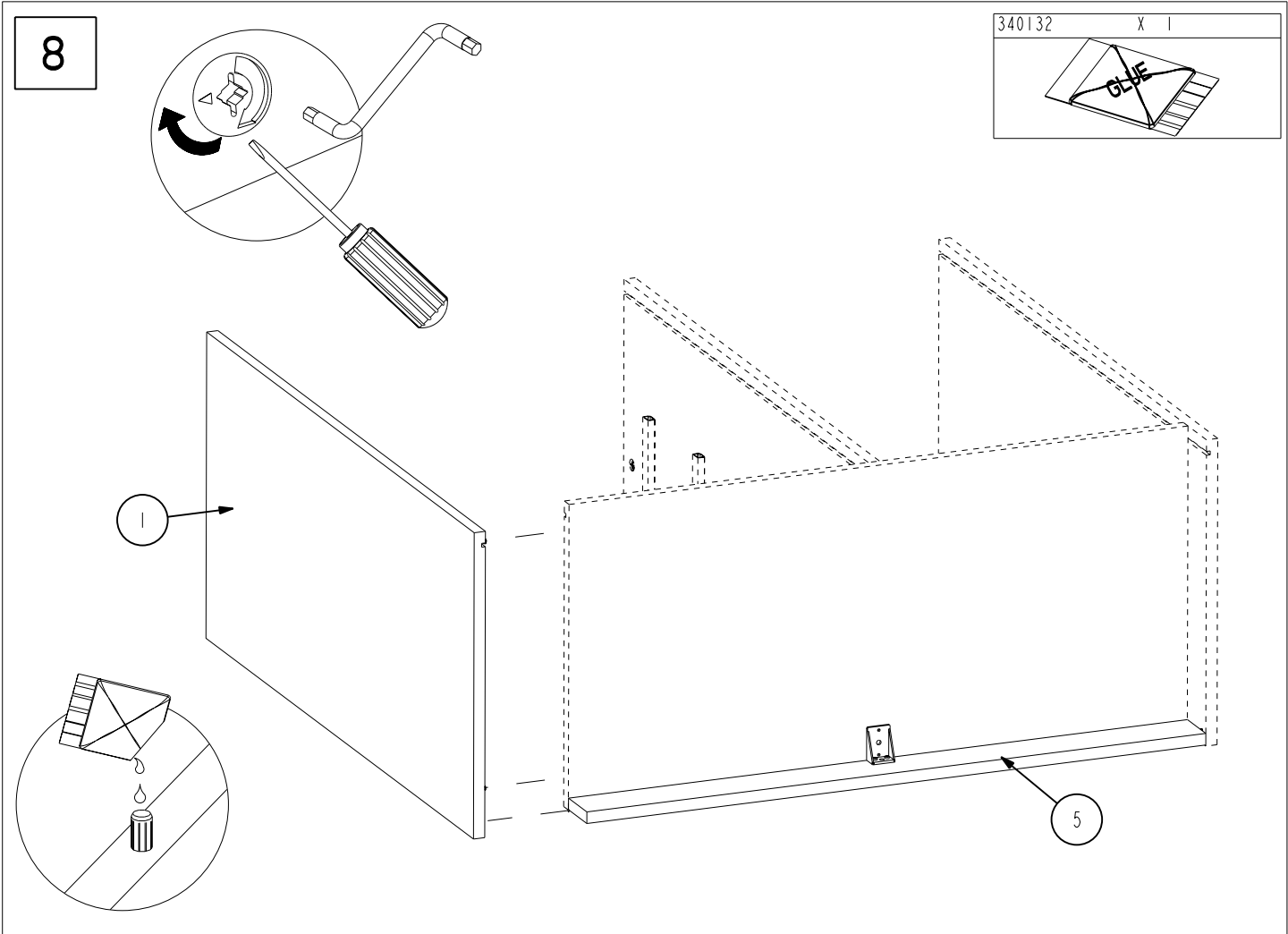
- Apply glue (part 340132) to the joints.
- Use a hammer to secure the rods.
- Use a screwdriver to tighten the screws.
- Warning: Do not over-tighten the screws.

6

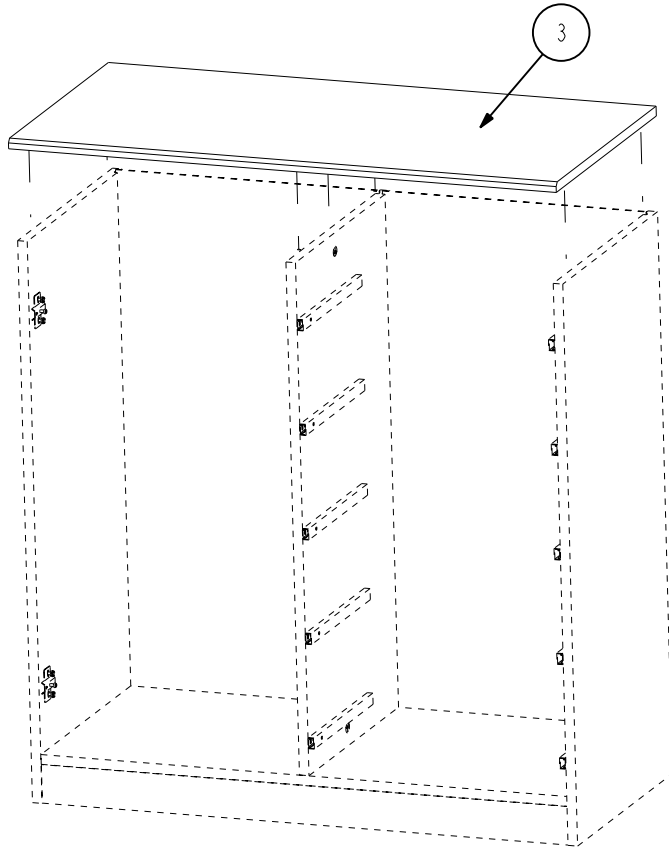
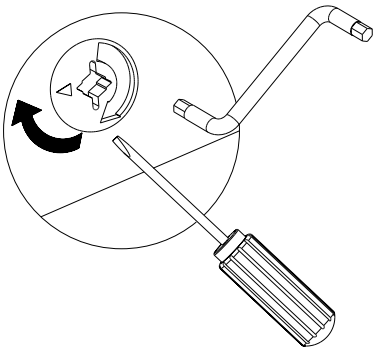
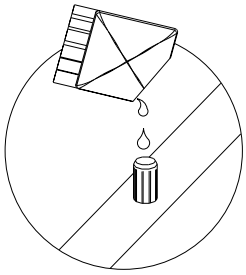


7

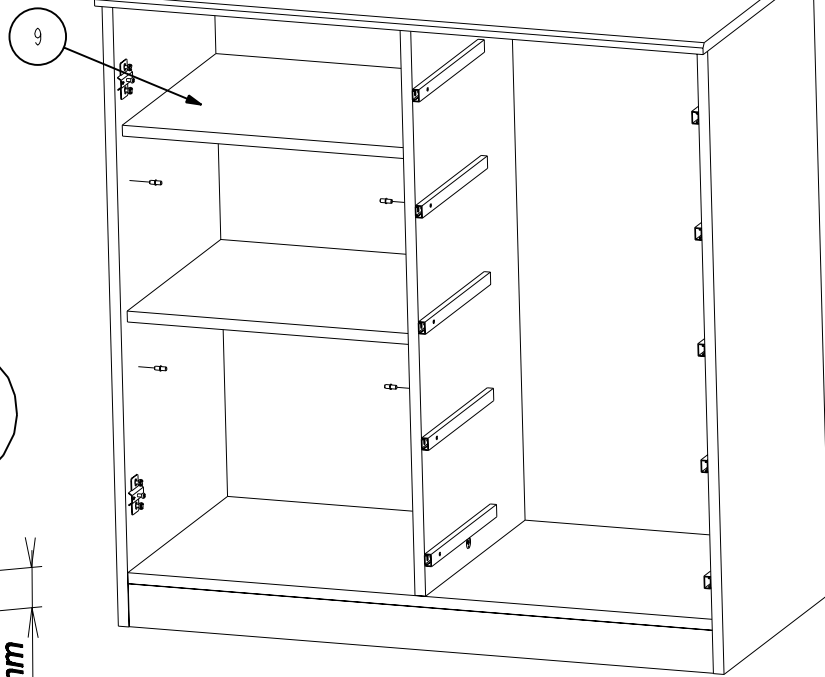
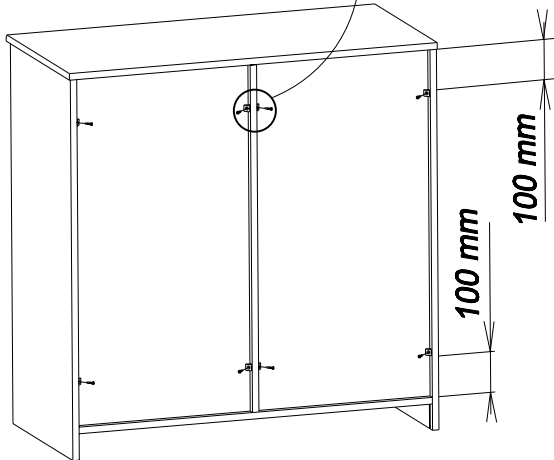
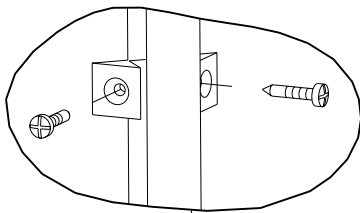
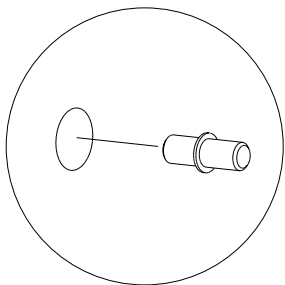




10 340132 X 1



11 706 X 8



444 X 8	907 X 8
	VBA TR 3x16

12

