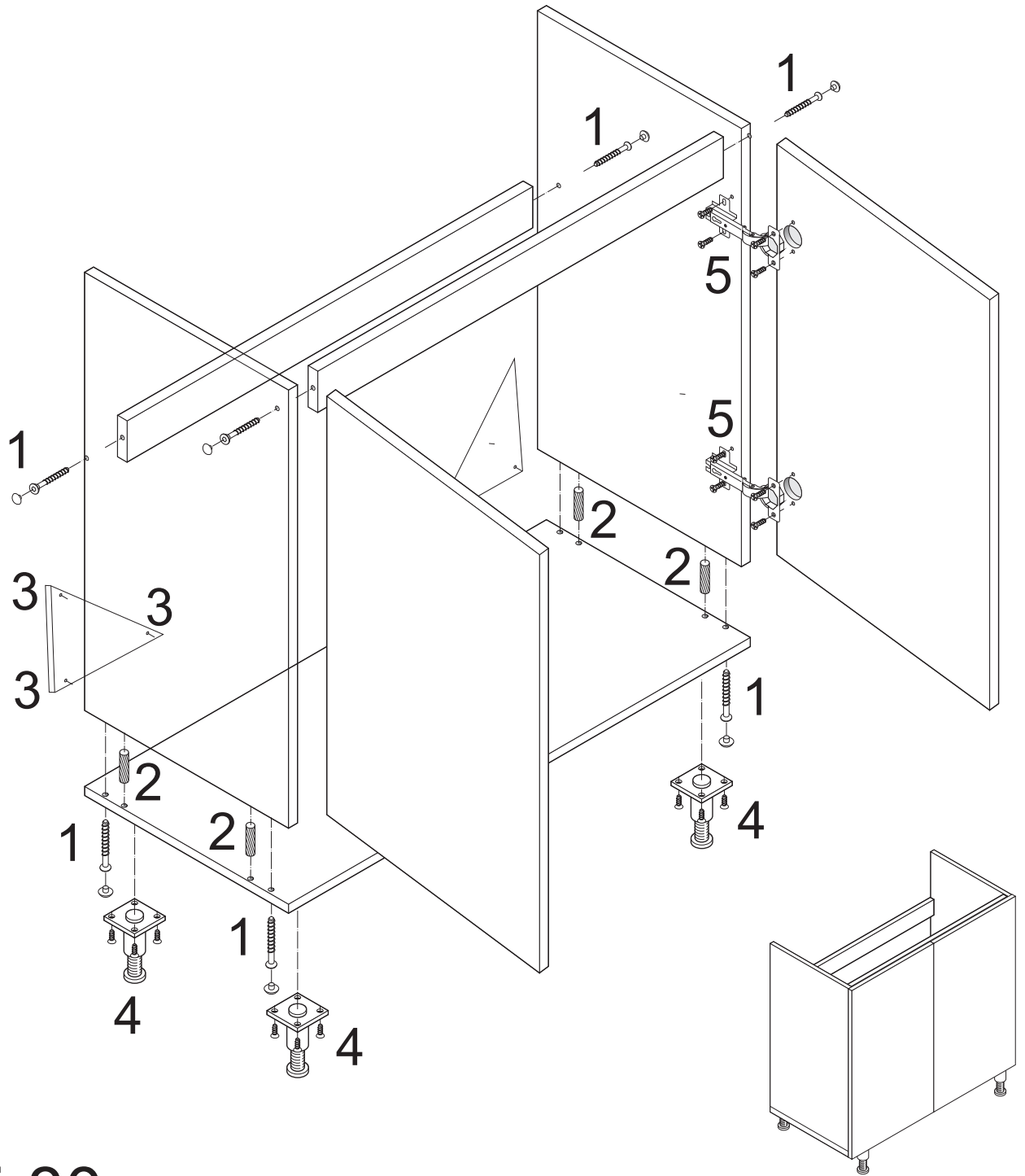


LANDY II

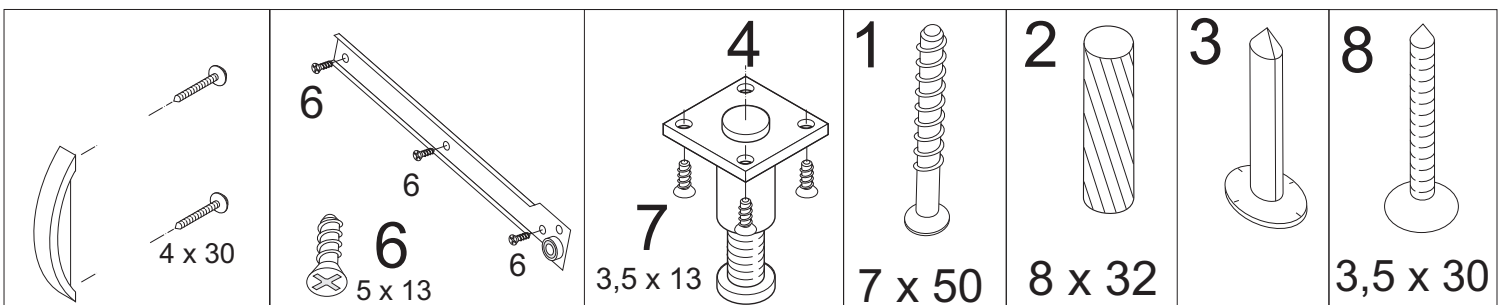
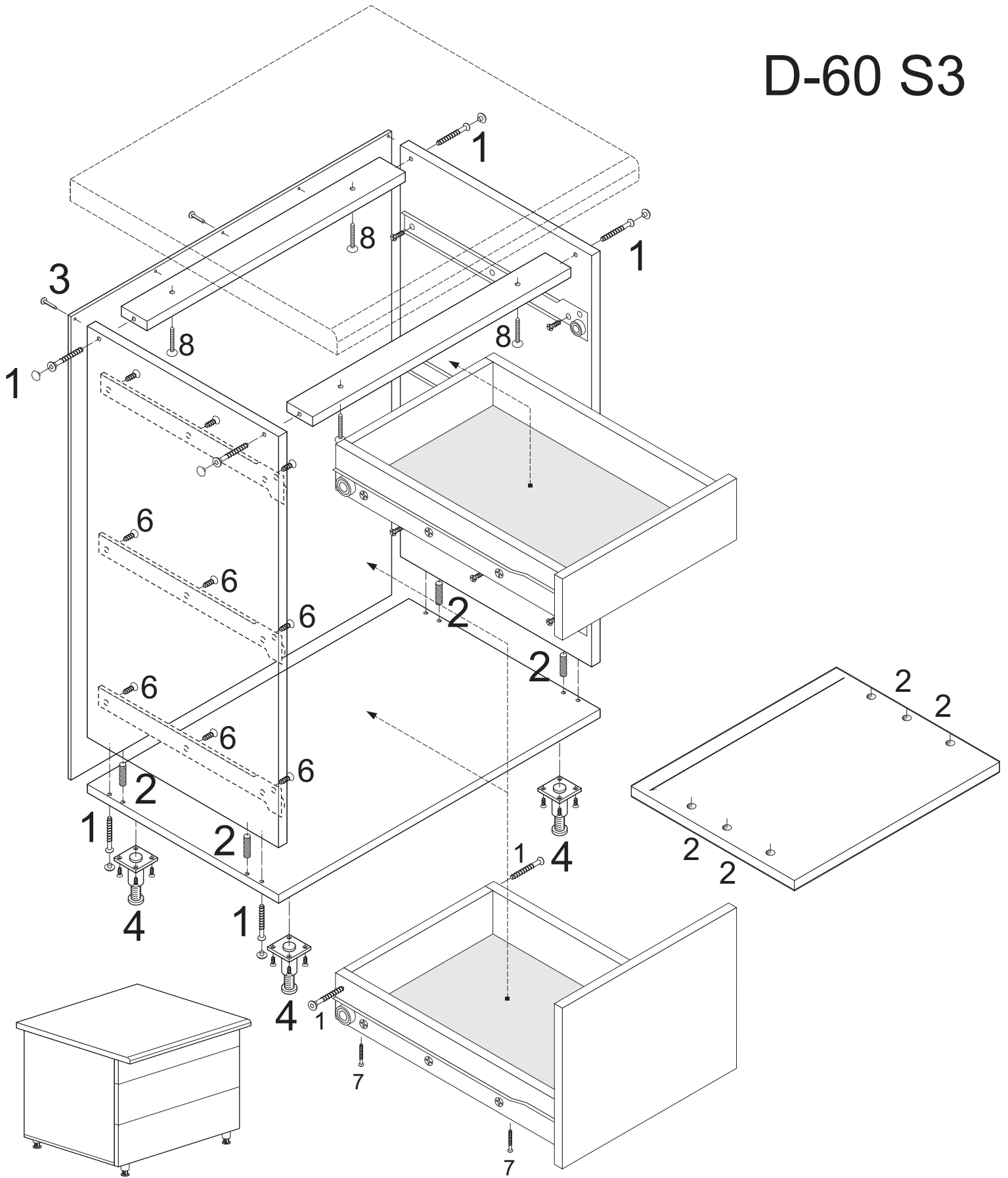




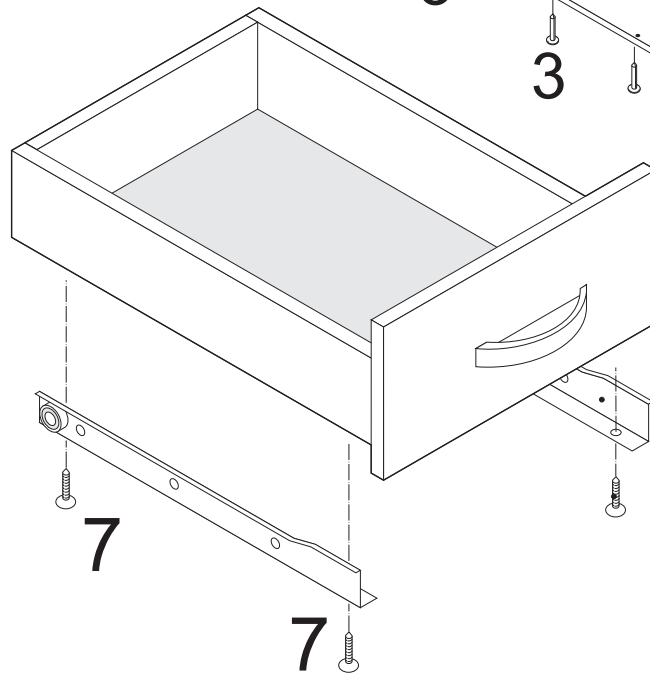
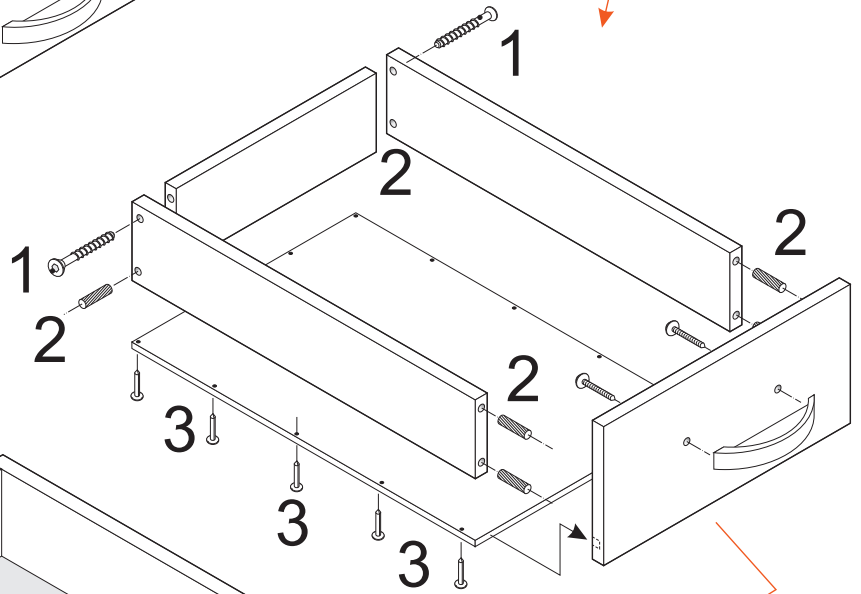
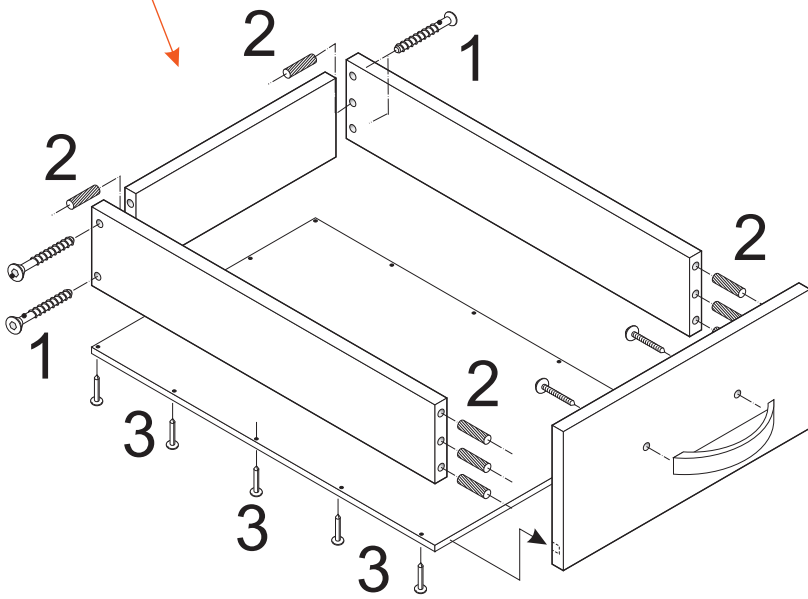
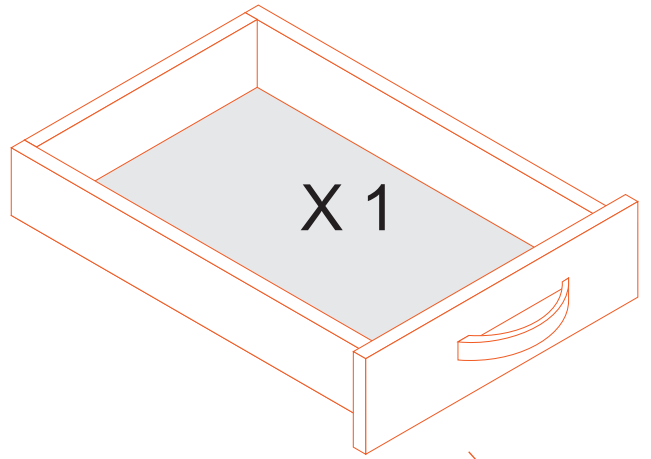
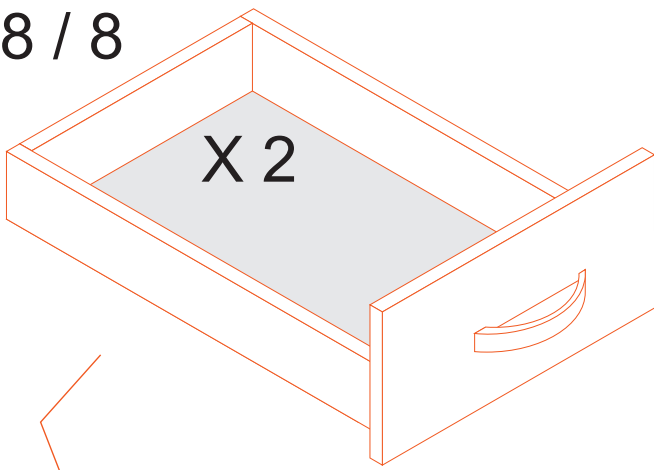
DZ-80

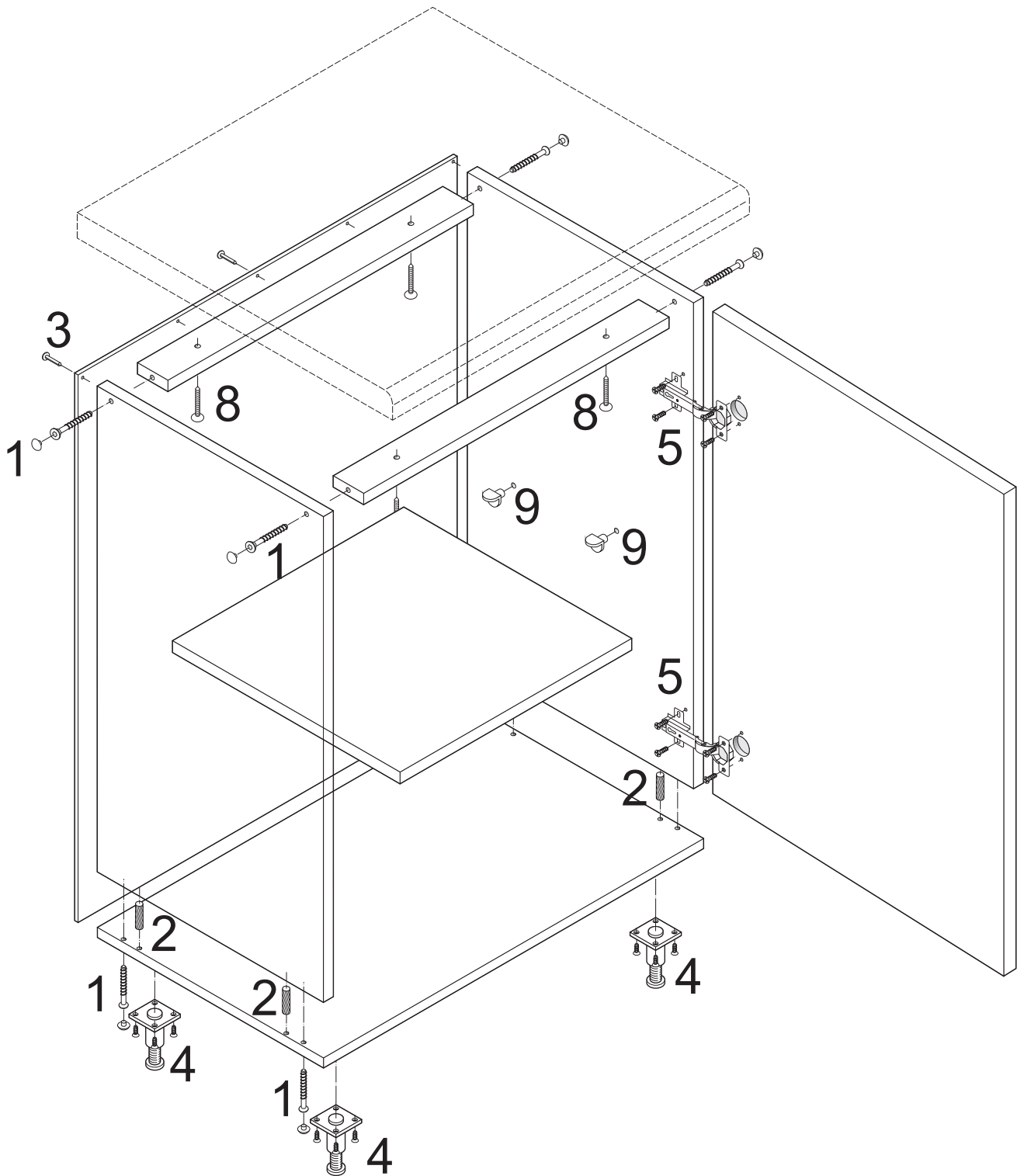
<p>4 x 30</p>	<p>5 x 13 6</p>	<p>7 3,5 x 13</p>	<p>1 7 x 50</p>	<p>2 8 x 32</p>	<p>3</p>
---------------	------------------------	------------------------------	----------------------------	----------------------------	-----------------

D-60 S3

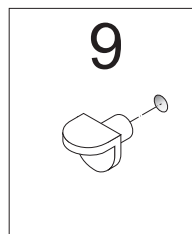


8 / 8

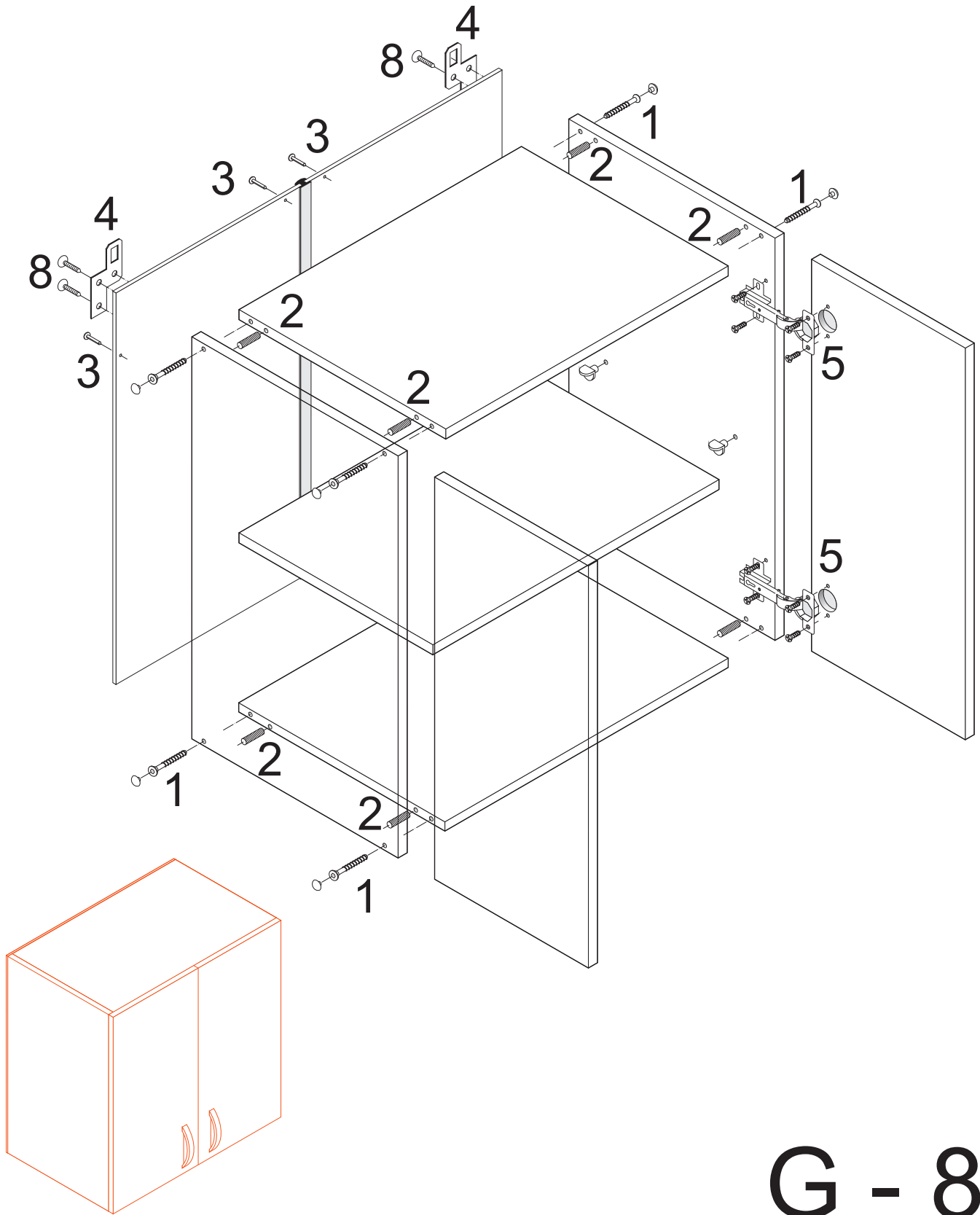




D-40

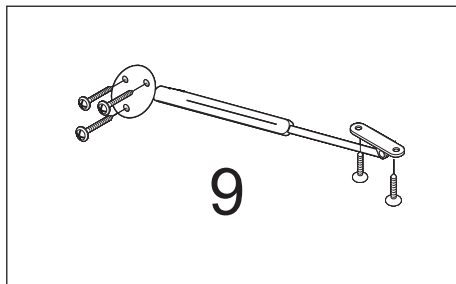
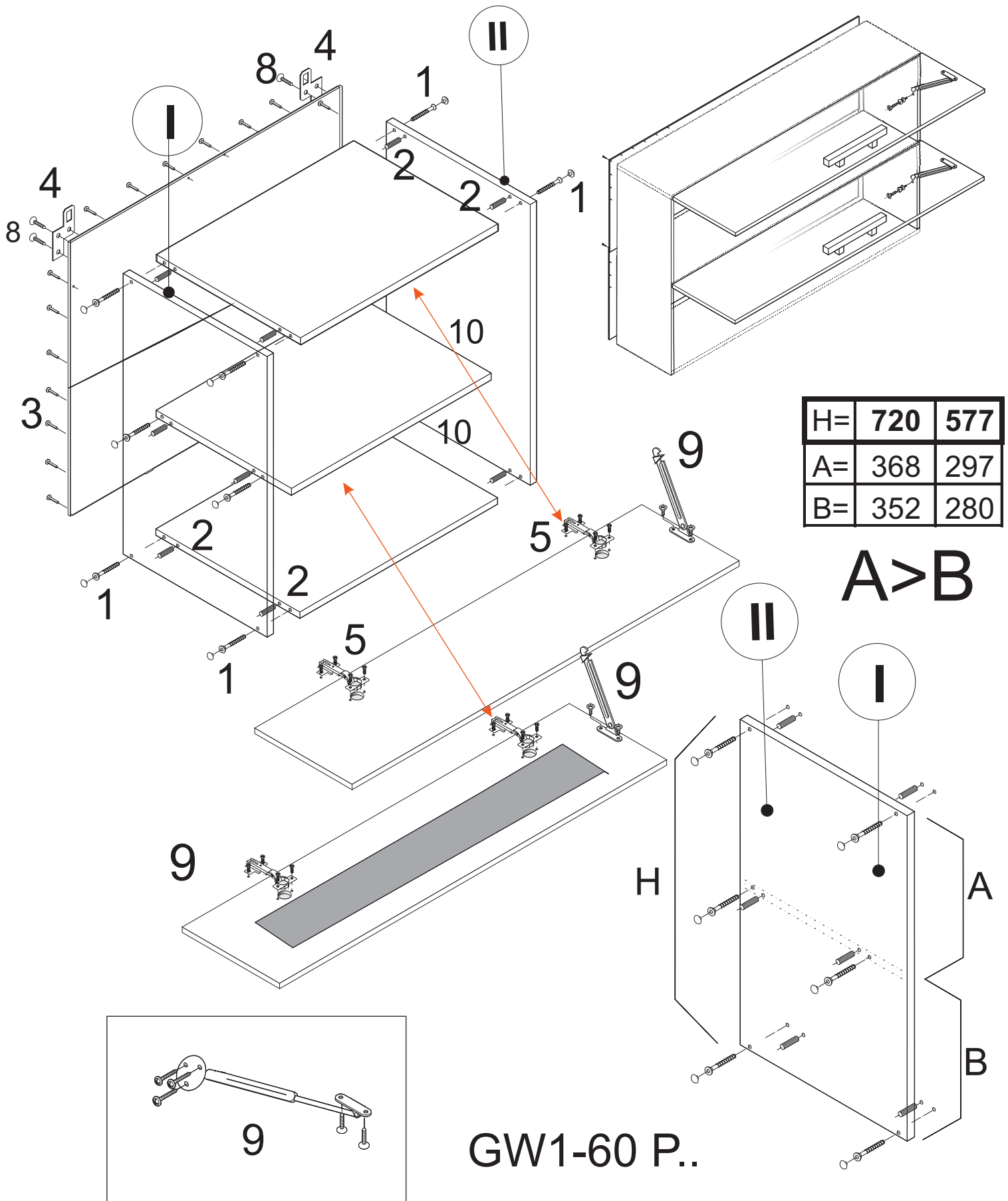


<p>4 x 30</p>	<p>5 x 13</p>	<p>3,5 x 13</p>	<p>7 x 50</p>	<p>8 x 32</p>		<p>3,5 x 30</p>
---------------	---------------	-----------------	---------------	---------------	--	-----------------

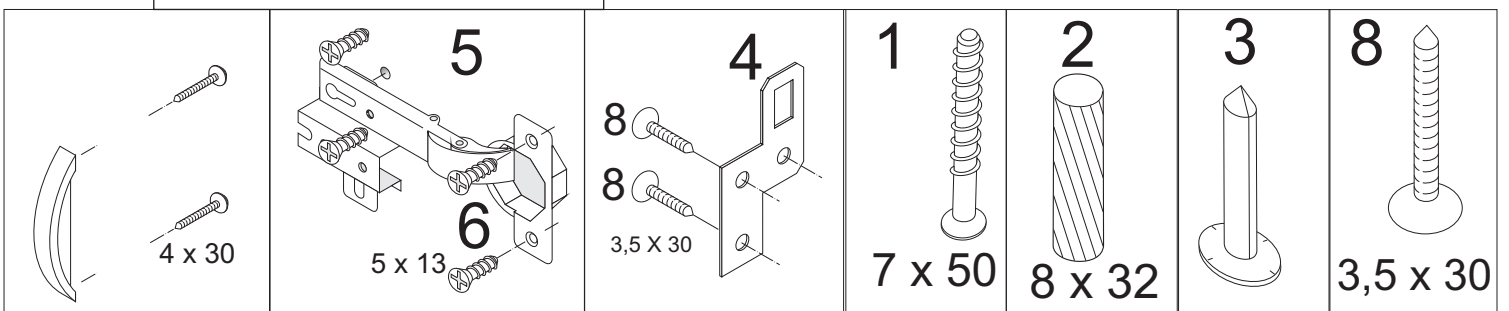


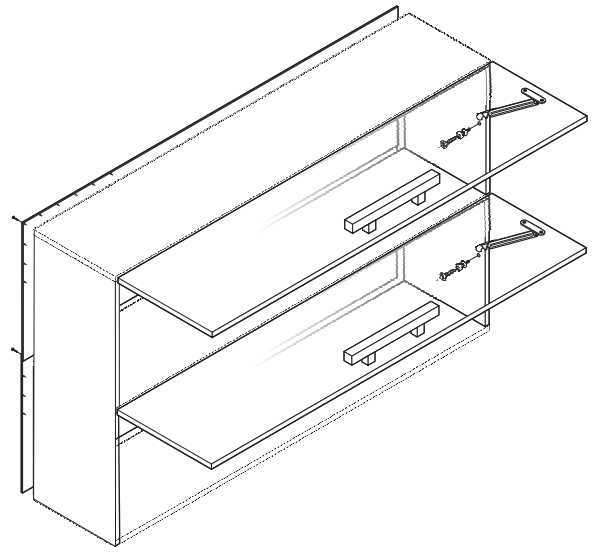
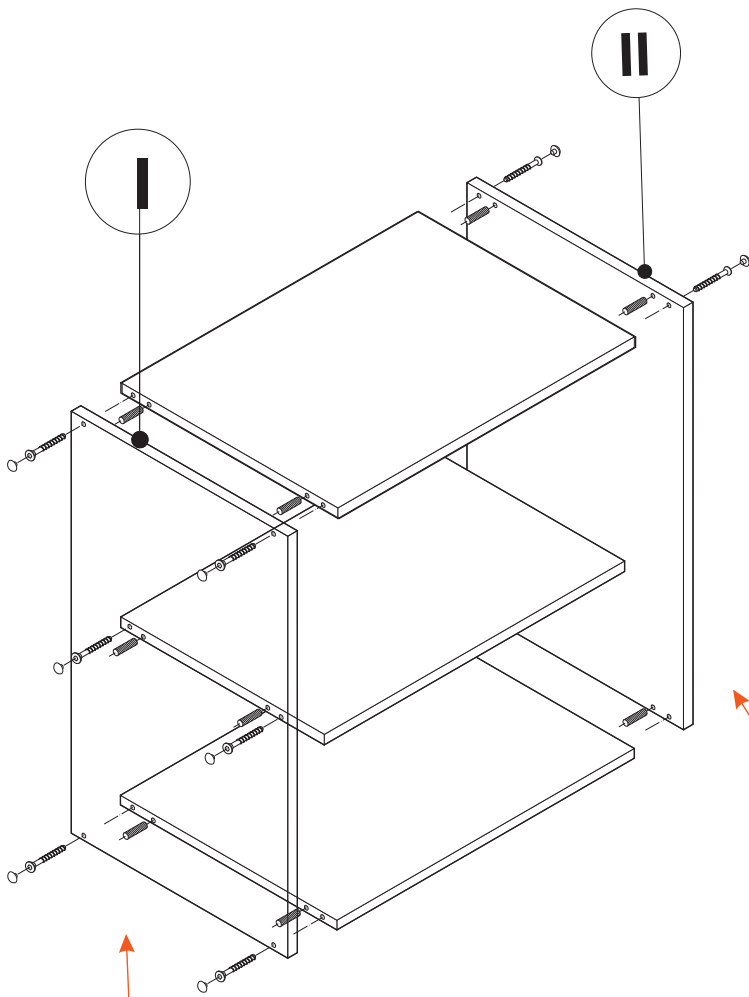
G - 80

<p>4 x 30</p>	<p>5 x 13 6</p>	<p>8 8 3,5 X 30 4</p>	<p>1 7 x 50</p>	<p>2 8 x 32</p>	<p>3</p>	<p>8 3,5 x 30</p>
---------------	-----------------	-----------------------	-----------------	-----------------	----------	-------------------



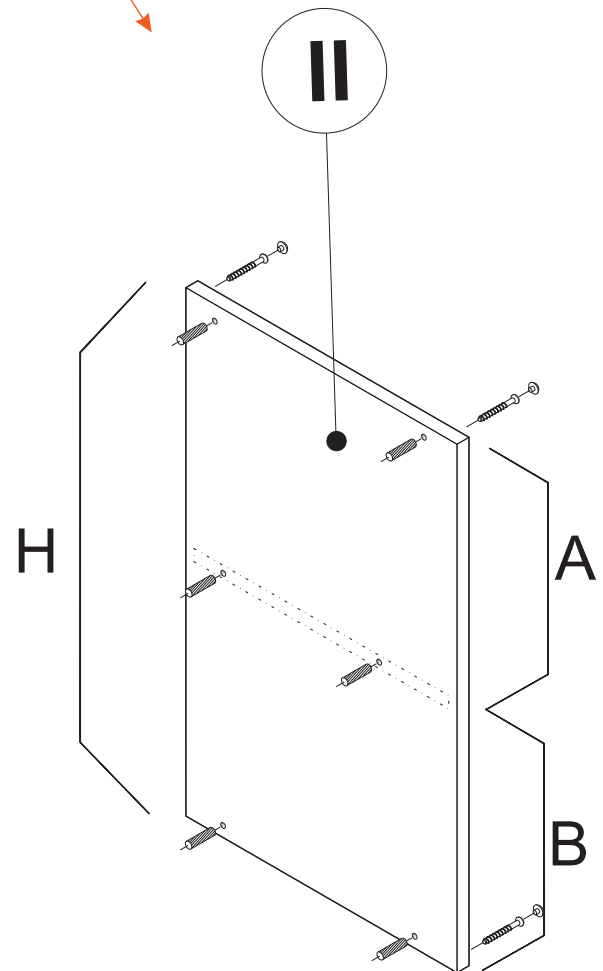
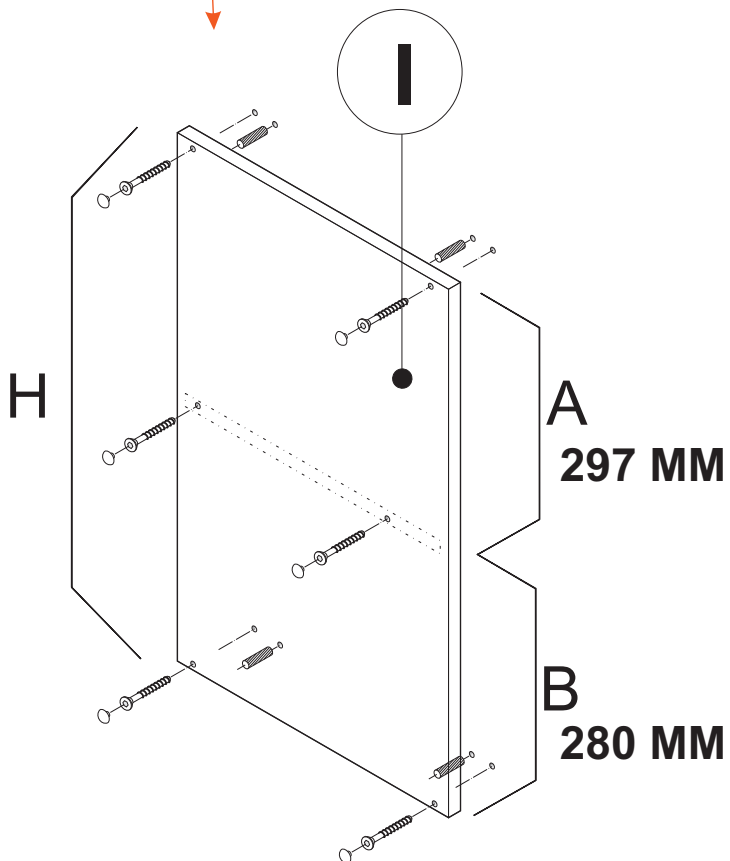
GW1-60 P..

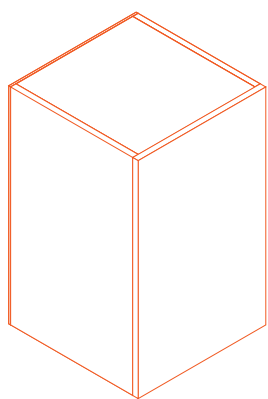
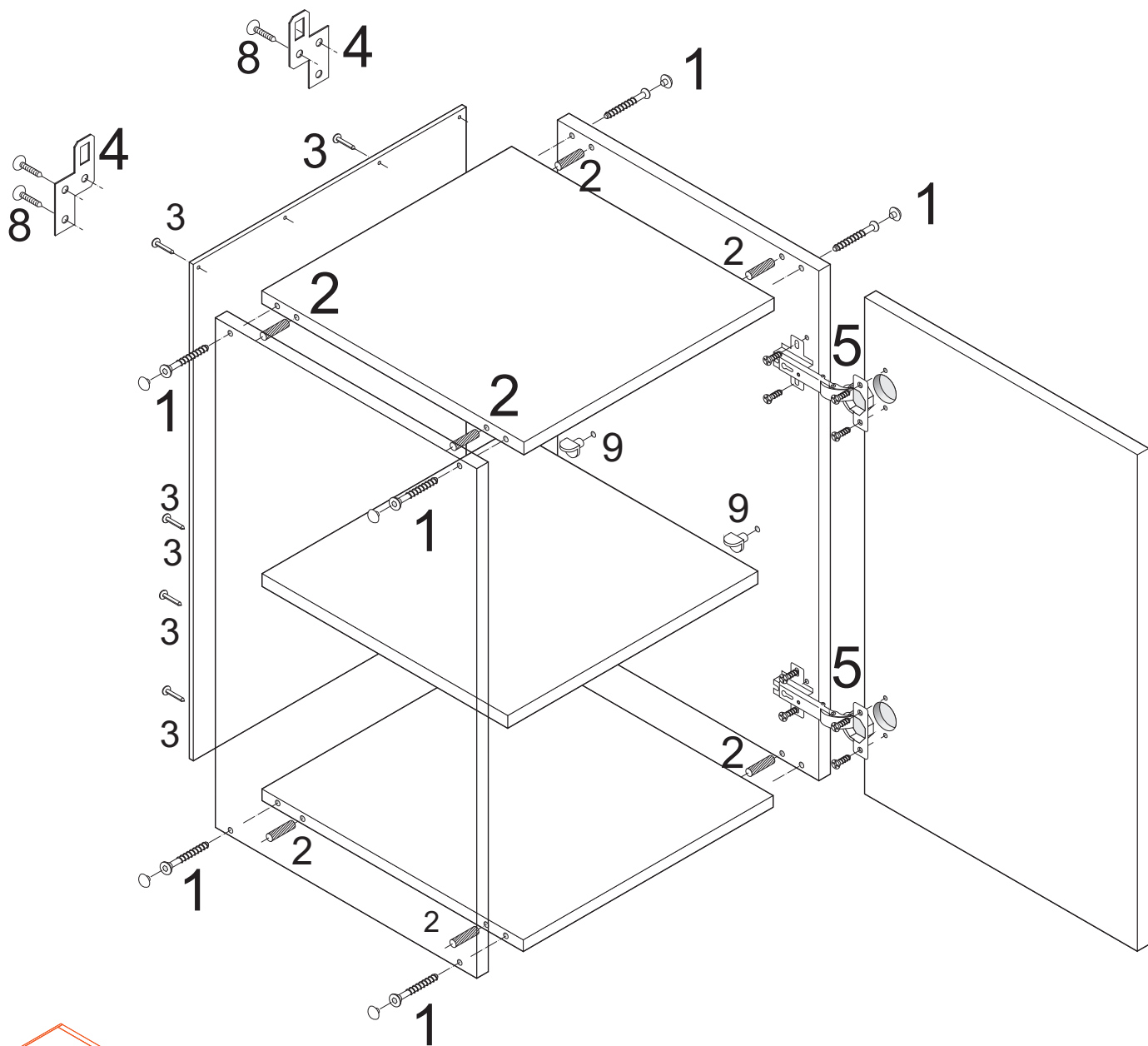




H=	720	577
A=	368	297
B=	352	280

A > B

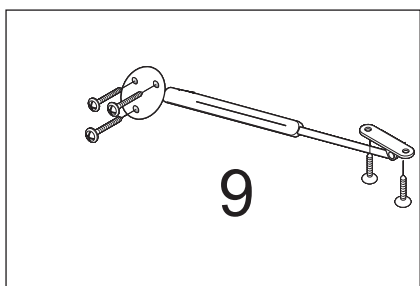
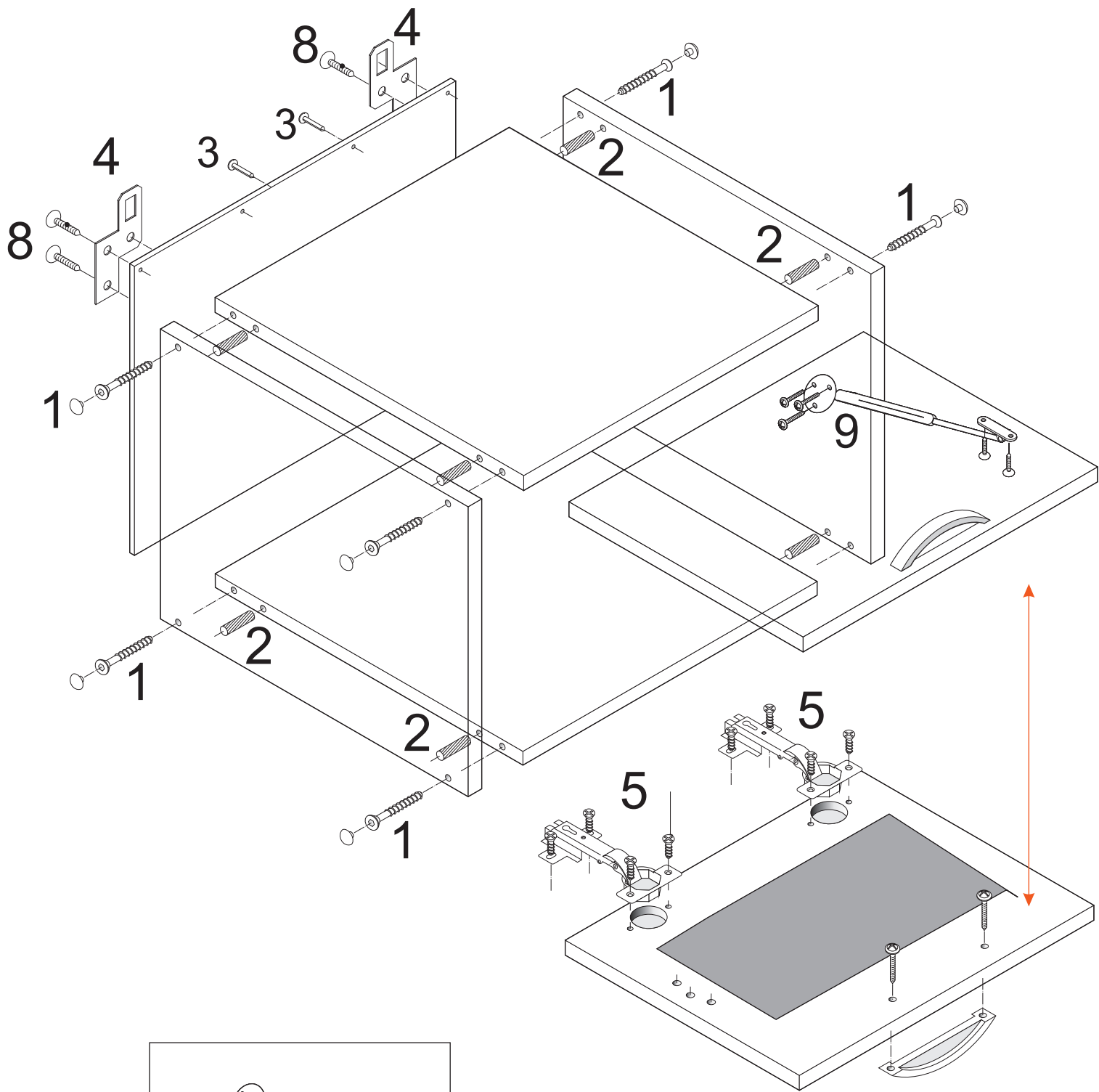




G-40



<p>4 x 30</p>	<p>5 x 13 6</p>	<p>8 8 3,5 X 30</p>	<p>1 7 x 50</p>	<p>2 8 x 32</p>	<p>3</p>	<p>8 3,5 x 30</p>
---------------	------------------------	-------------------------------------------	----------------------------	----------------------------	-----------------	------------------------------



OG-60

<p>4 x 30</p>	<p>5 x 13 6</p>	<p>3,5 x 30 4</p>	<p>7 x 50 1</p>	<p>8 x 32 2</p>	<p>3 3</p>	<p>3,5 x 30 8</p>
---------------	-----------------	-------------------	-----------------	-----------------	------------	-------------------