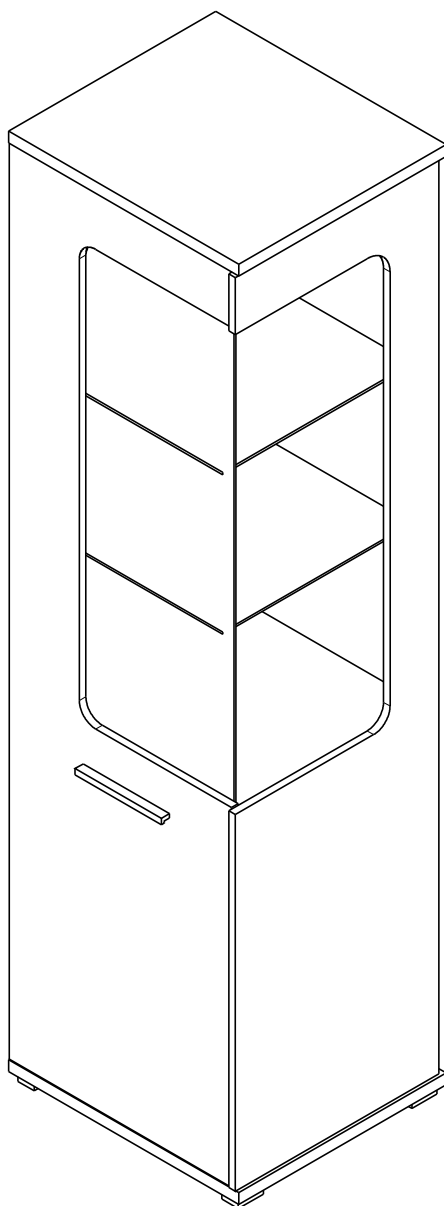
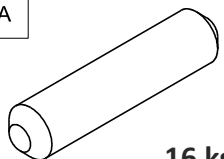
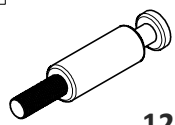
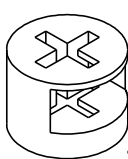
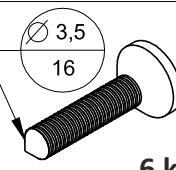
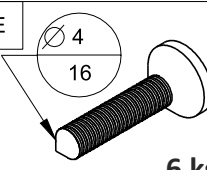
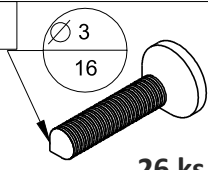
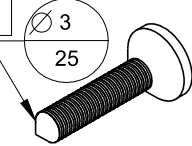
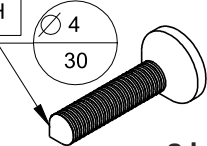
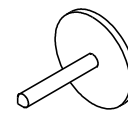
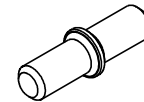
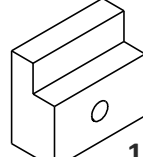
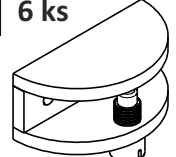
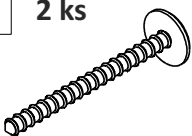
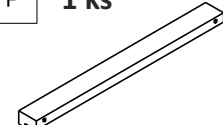
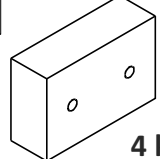
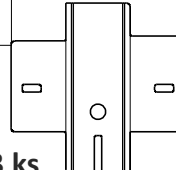
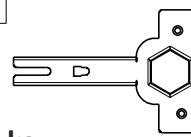
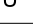


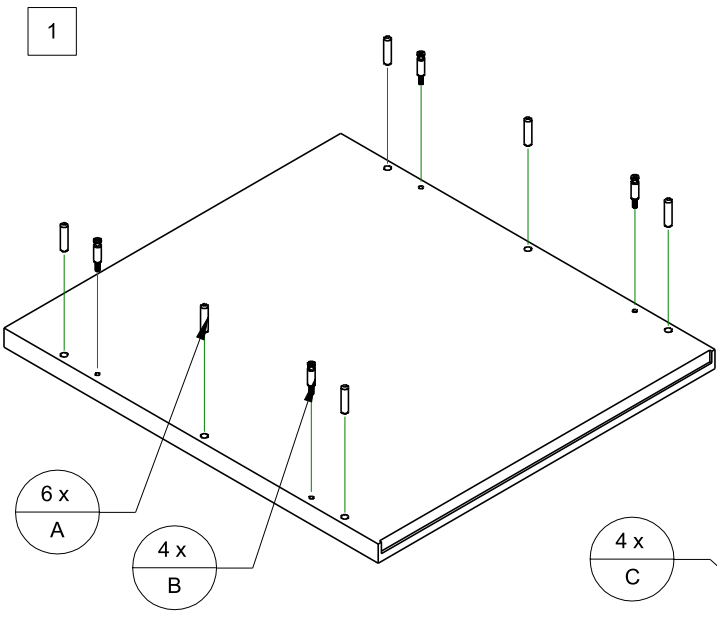
Everest 05

Presklenná vitrína W-1 pravá

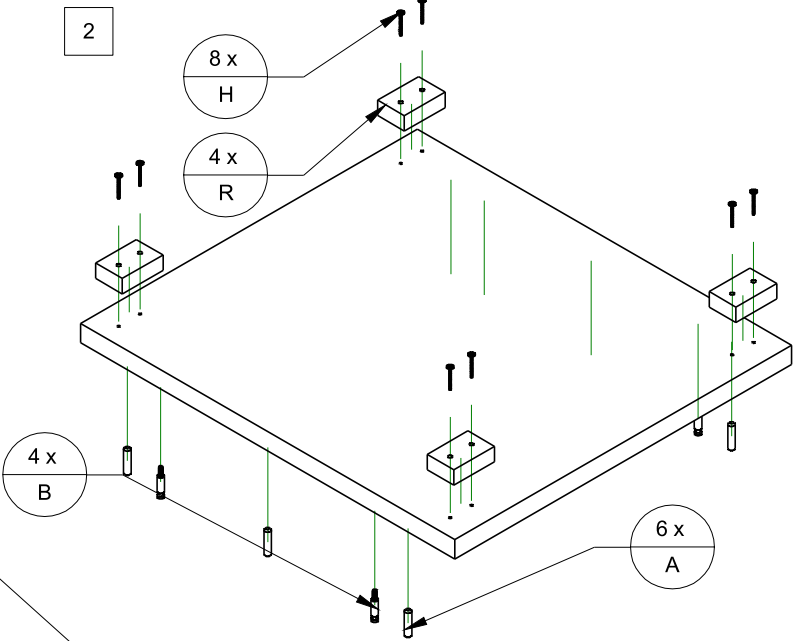


A  16 ks	B  12 ks	C  12 ks	D  6 ks	E  6 ks	F  26 ks
G  2 ks	H  8 ks	J  50 ks	K  4 ks	L  14 ks	M  6 ks
N  2 ks	P  1 ks	R  4 ks	S  3 ks	T  3 ks	U  1 ks

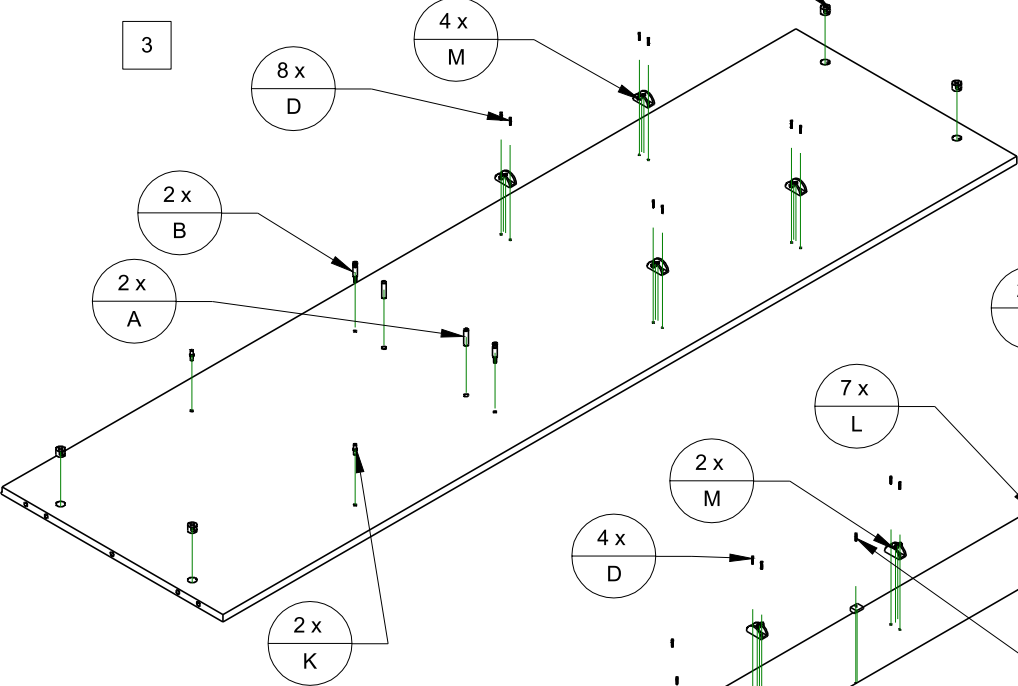
1



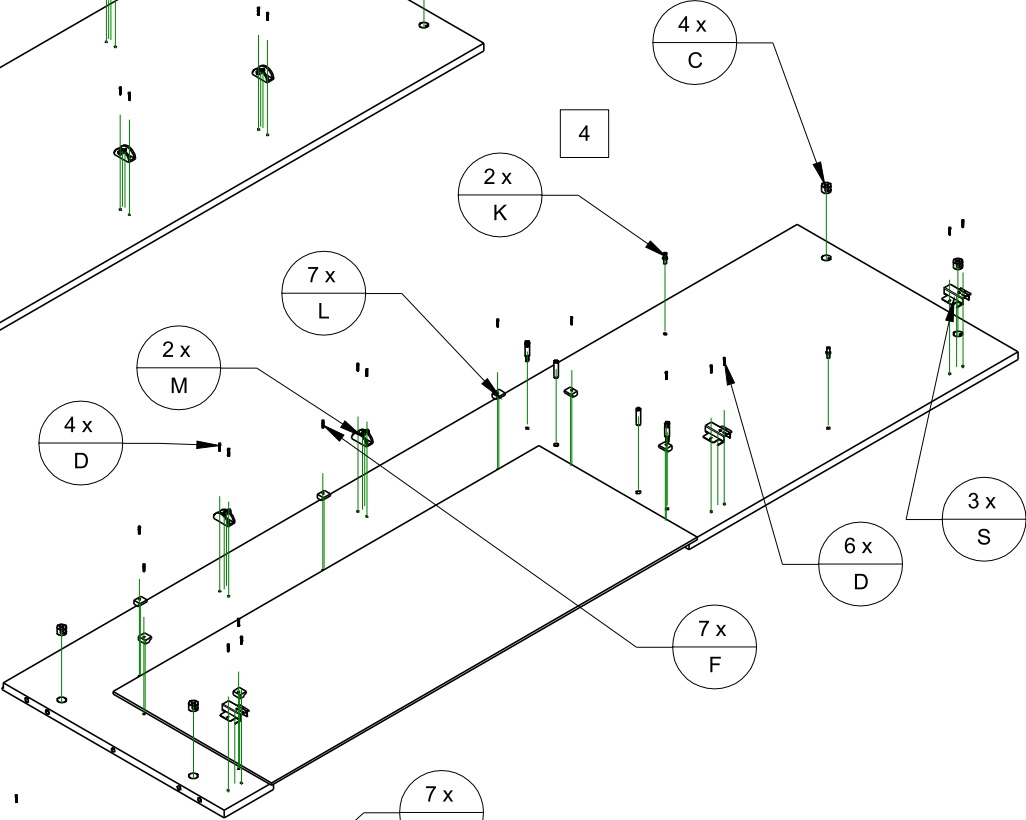
2



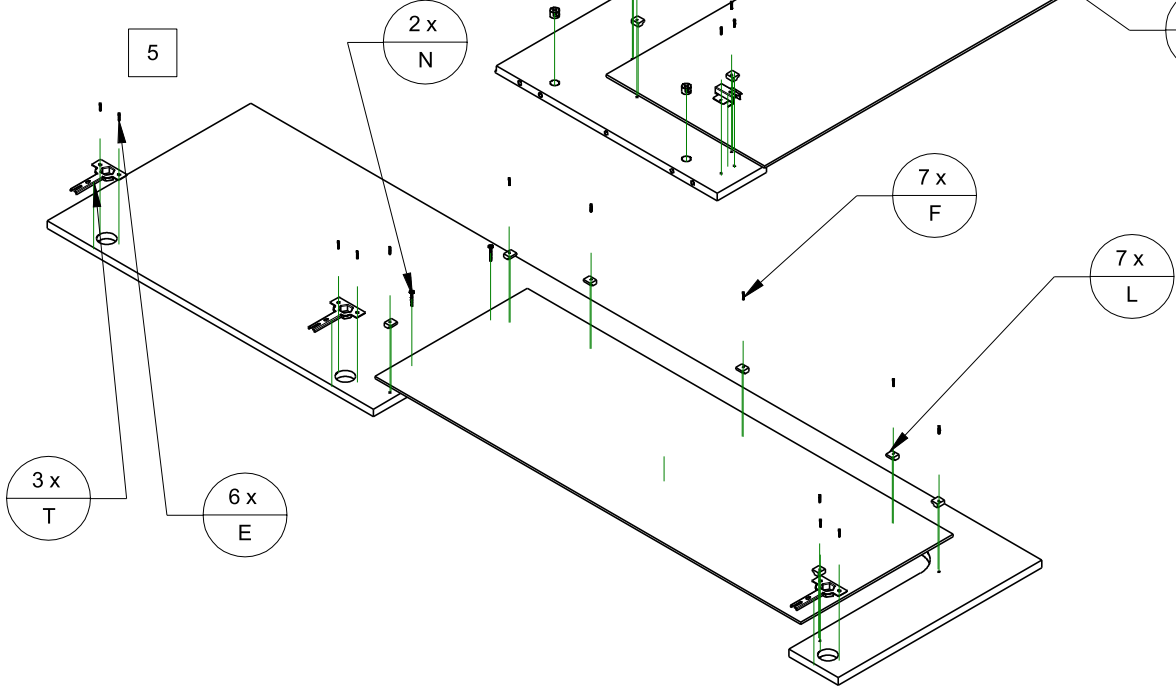
3

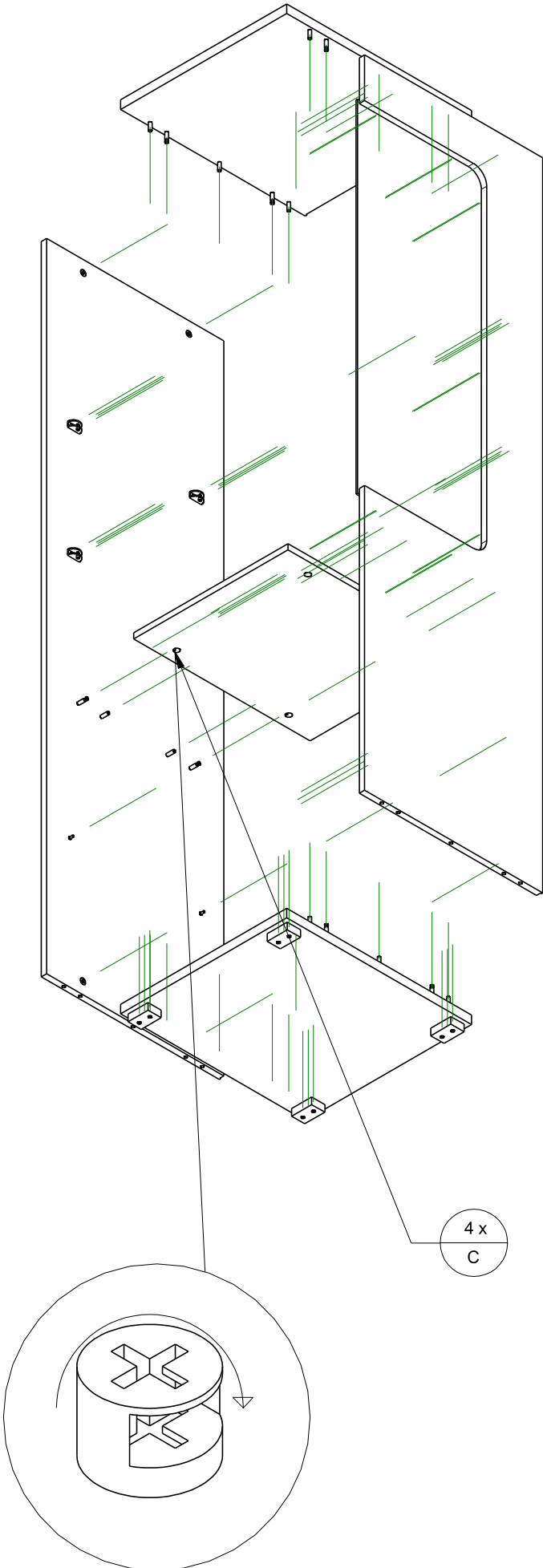


4

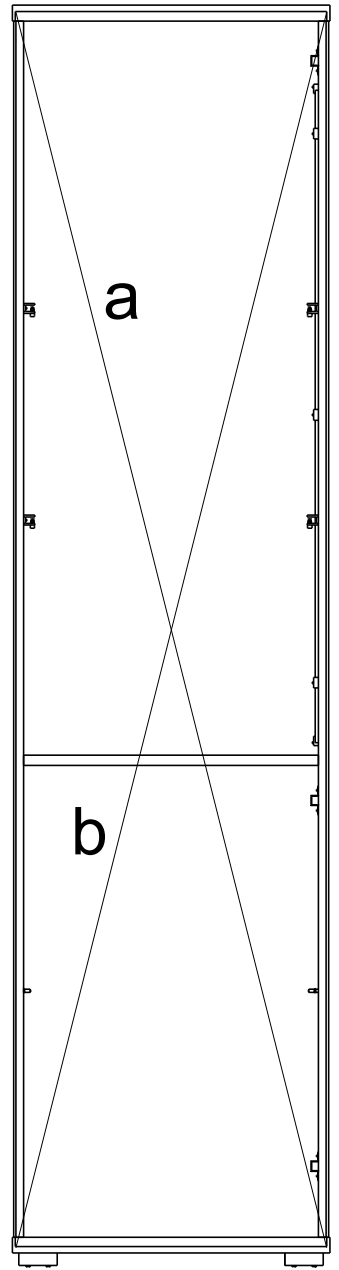


5



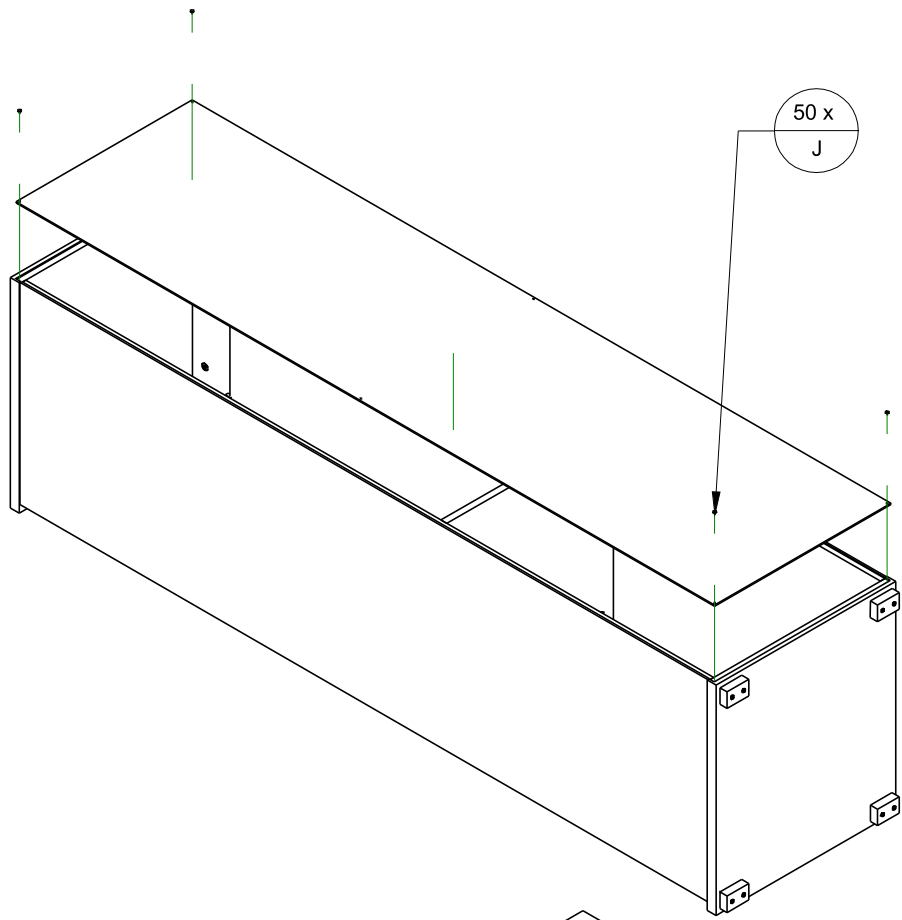


4 x
C



a=b !

7



8

