

DASMONA 2

1-1X



2-1X



3-1X



4-1X



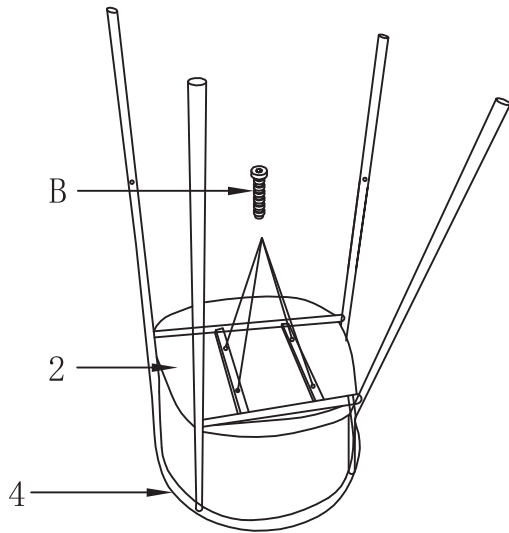
A-6X



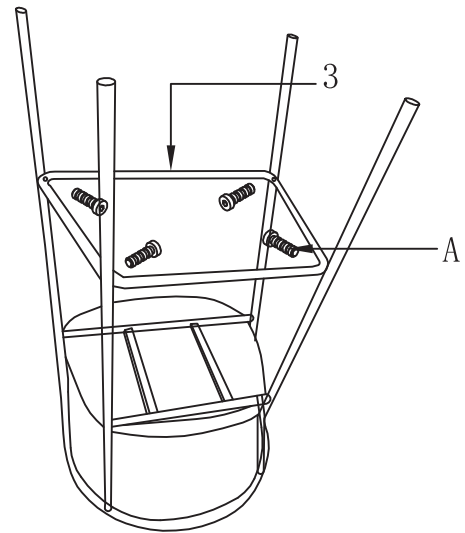
B-6X



1



2



3

