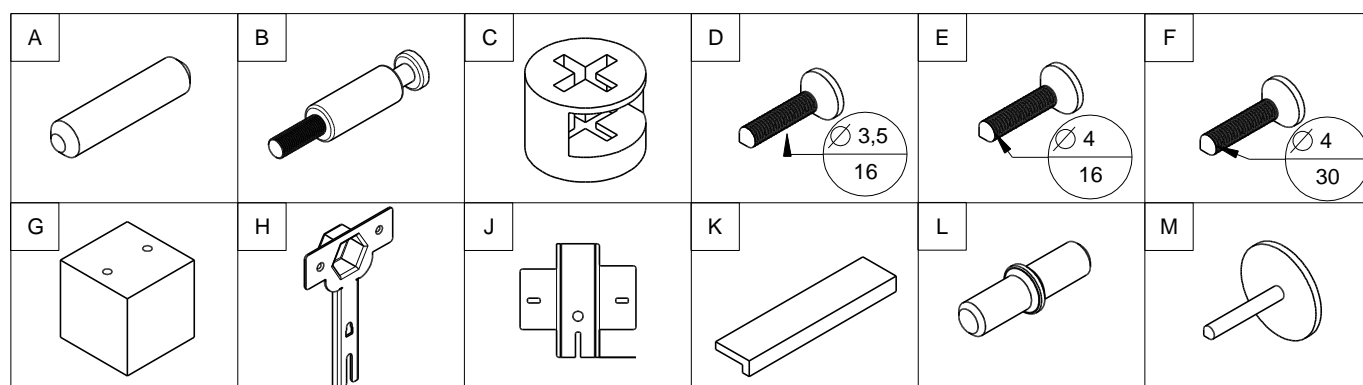
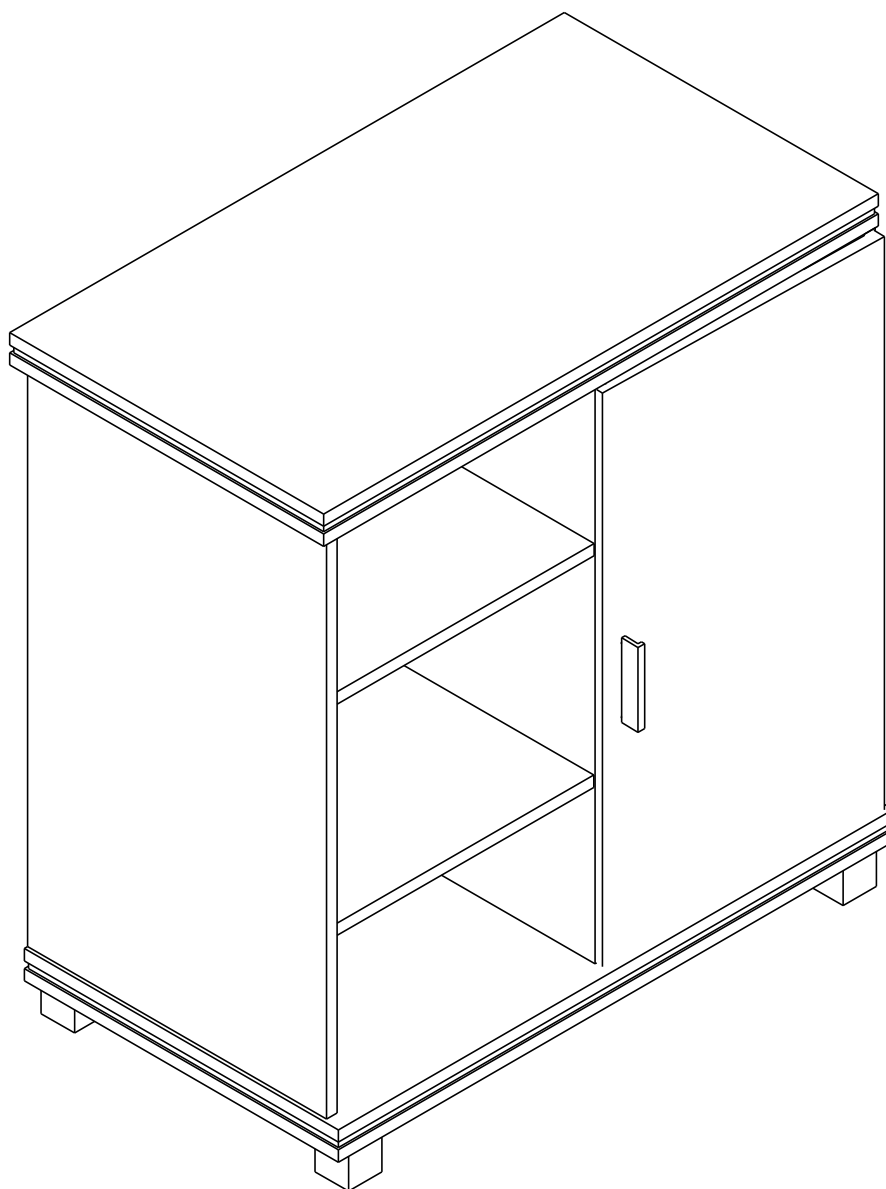
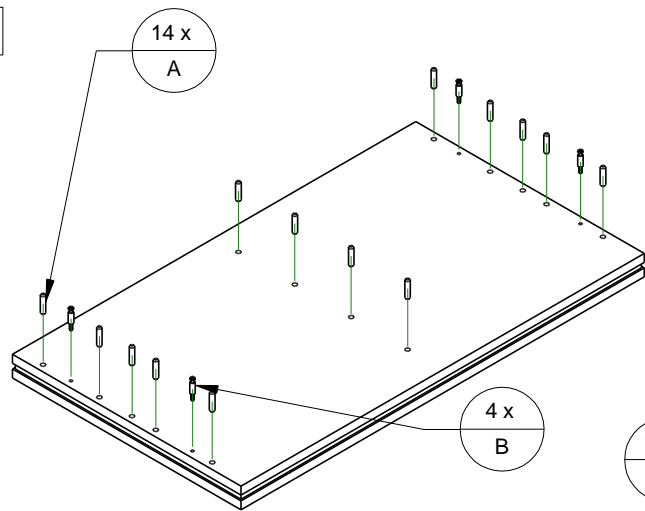


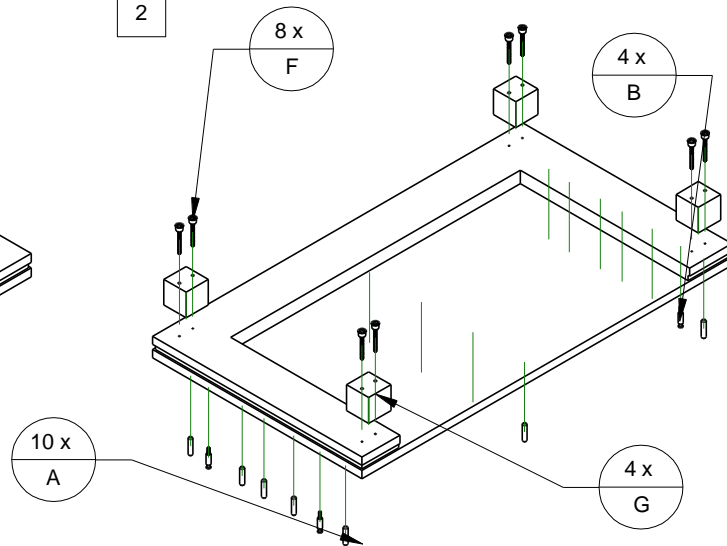
CARLA 13 KOMODA CK1D3P



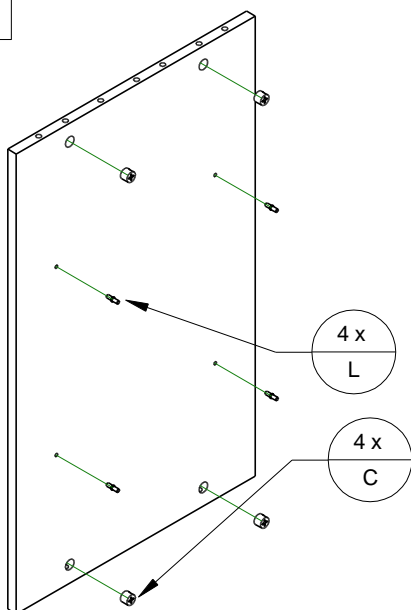
1



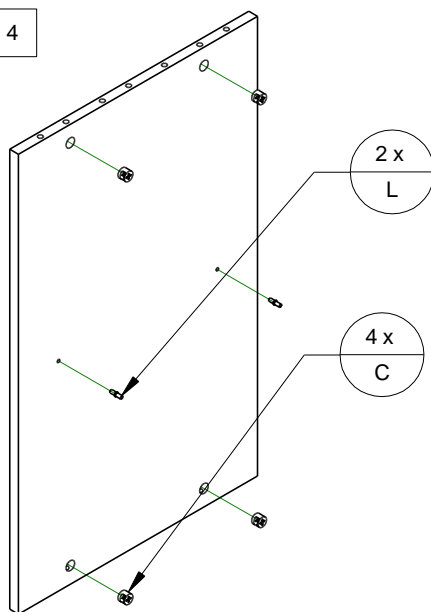
2



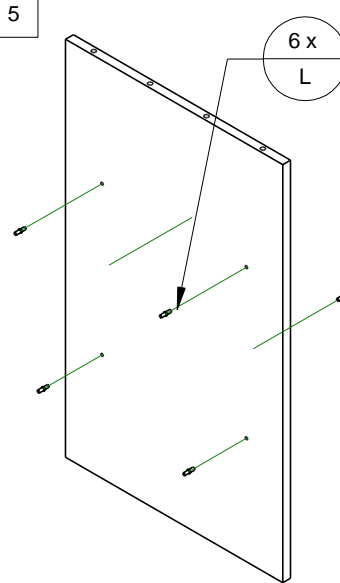
3



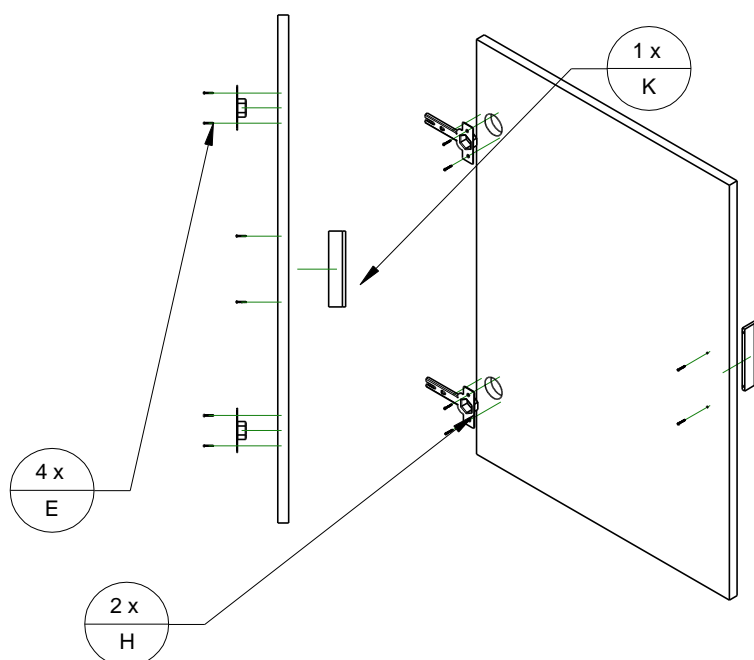
4



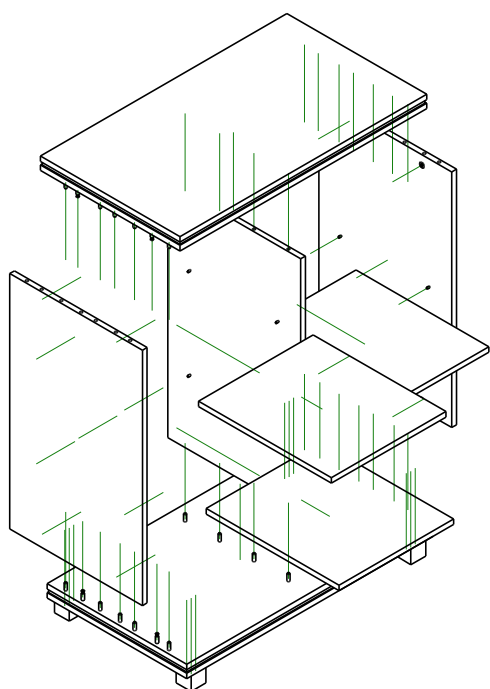
5



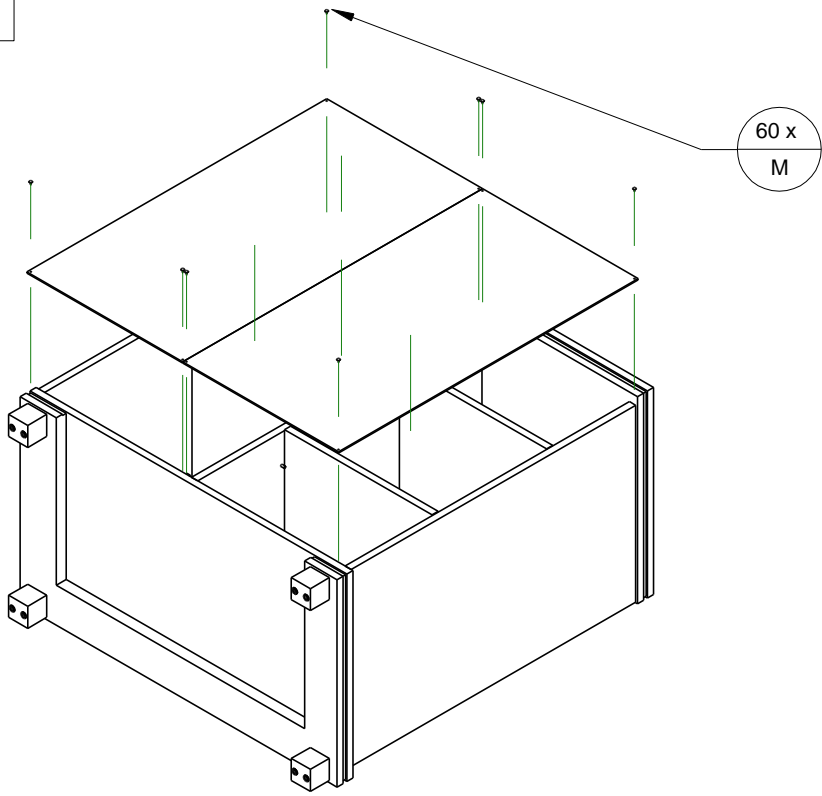
7



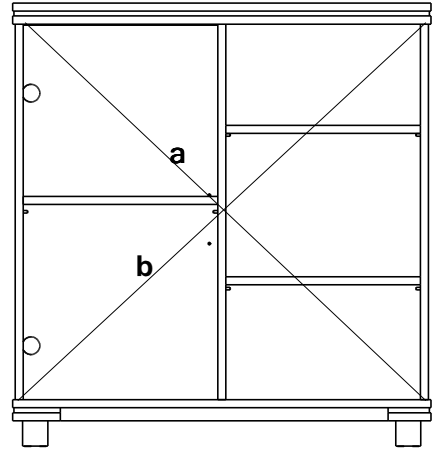
6



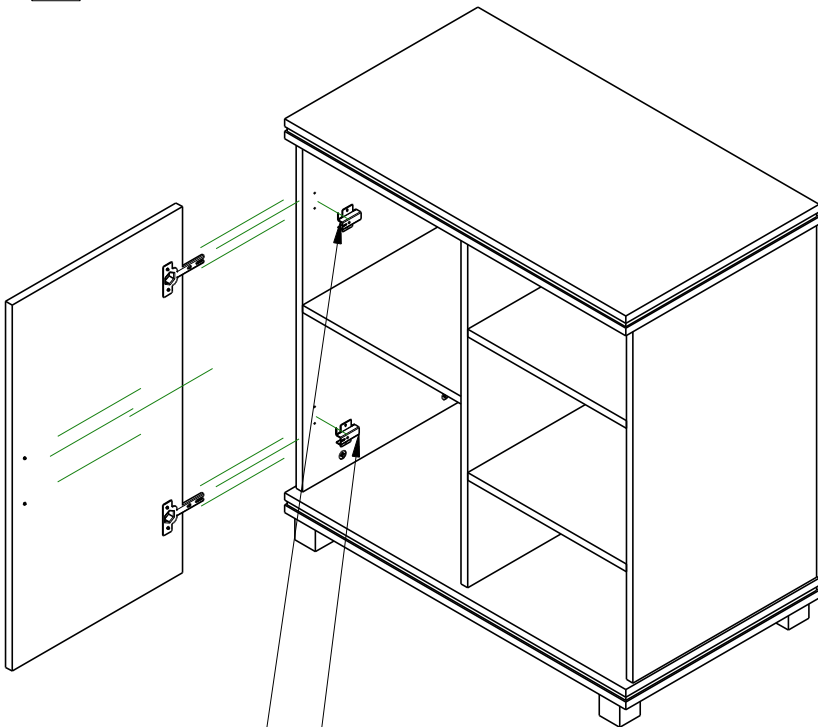
8



a=b !



9



4 x
D

2 x
J

