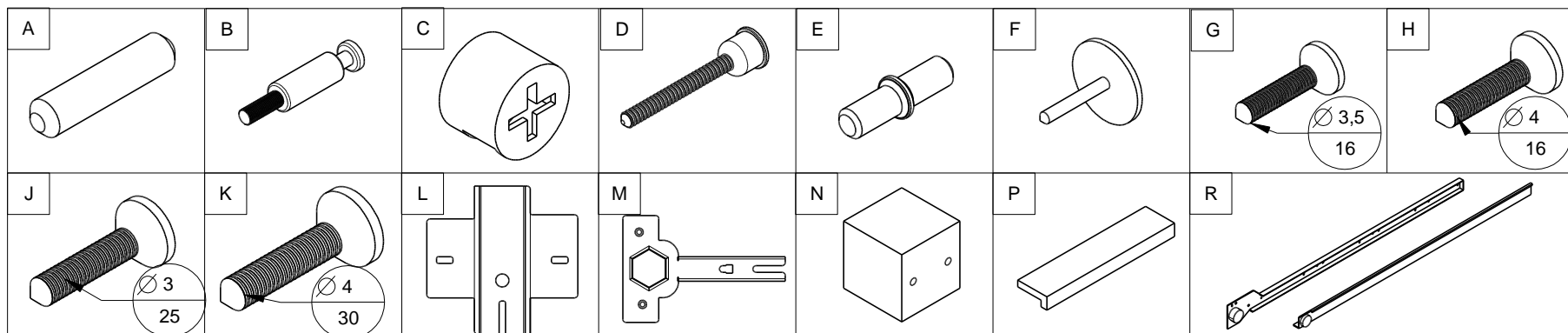
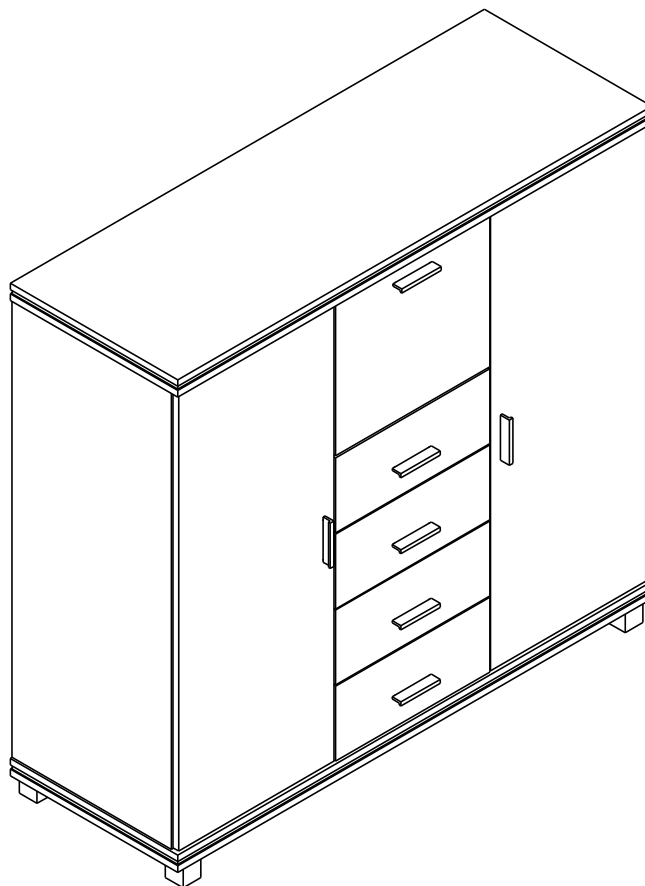
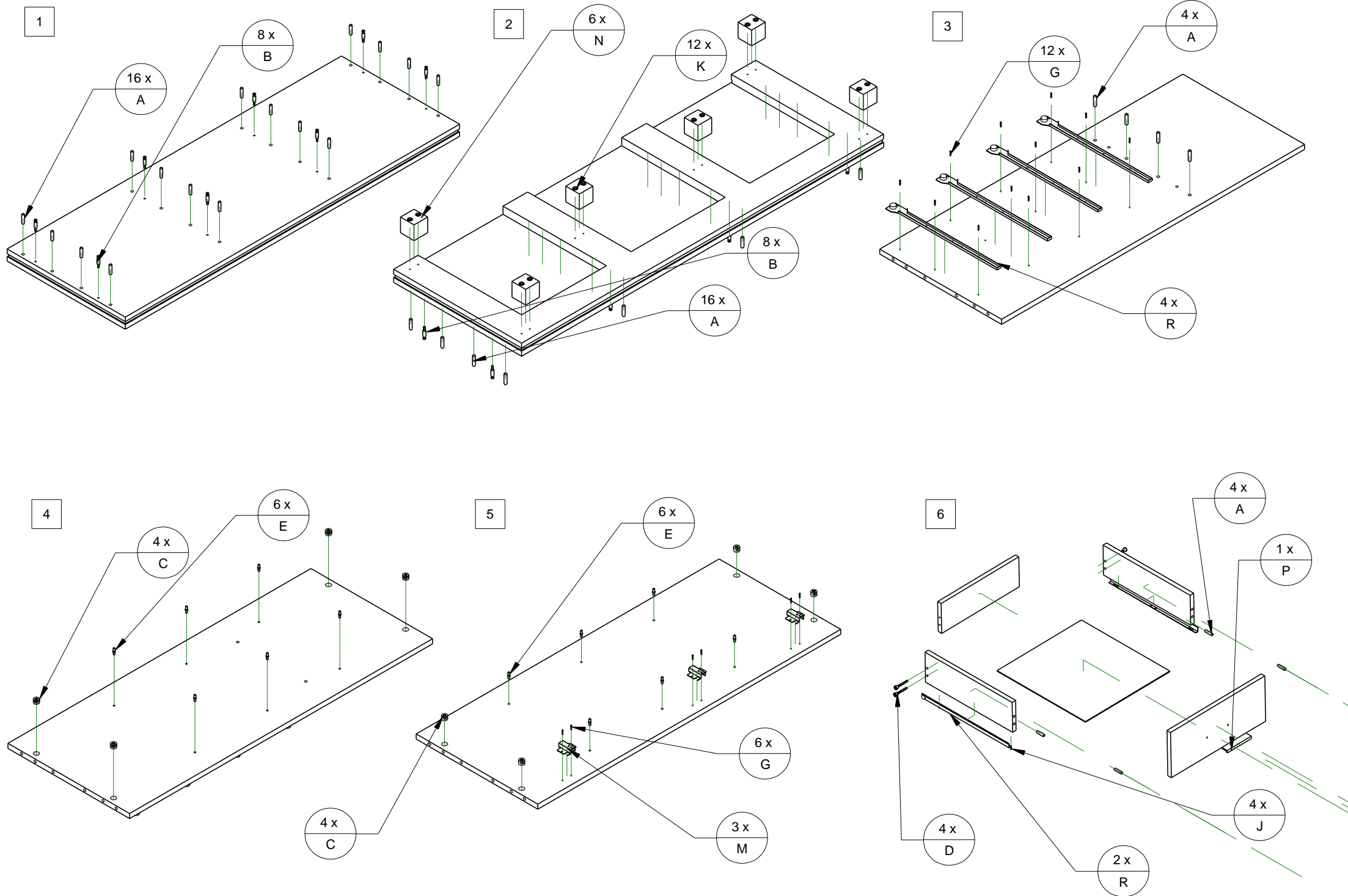
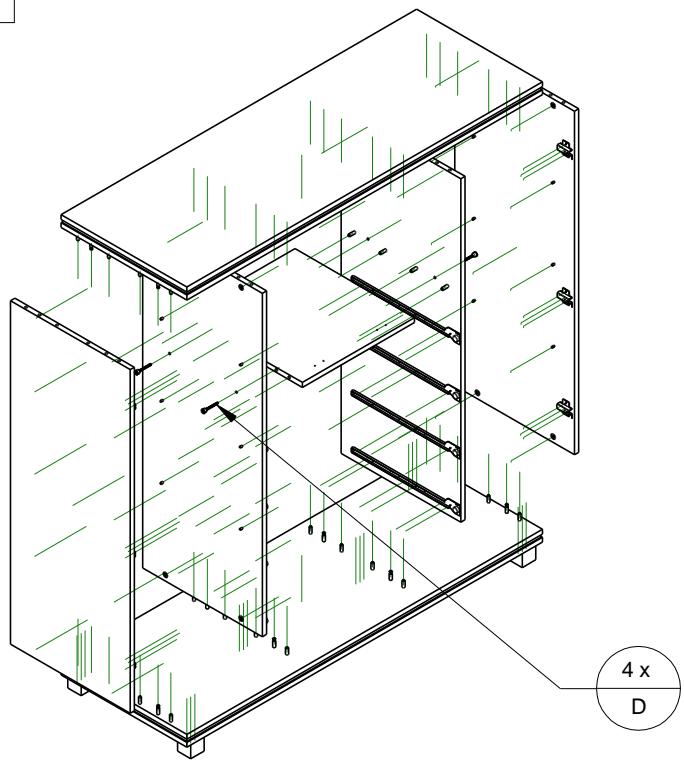


CARLA 12 KOMODA CK2D4SB



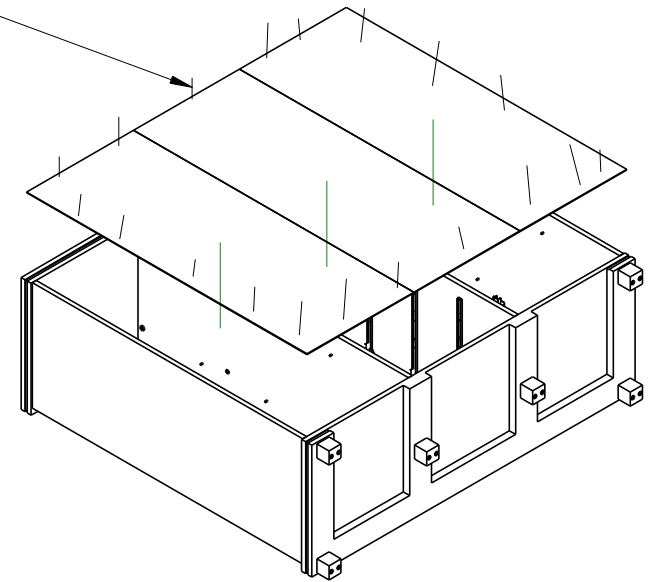
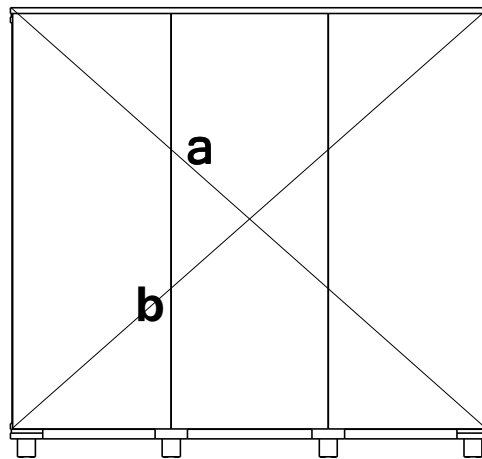


7

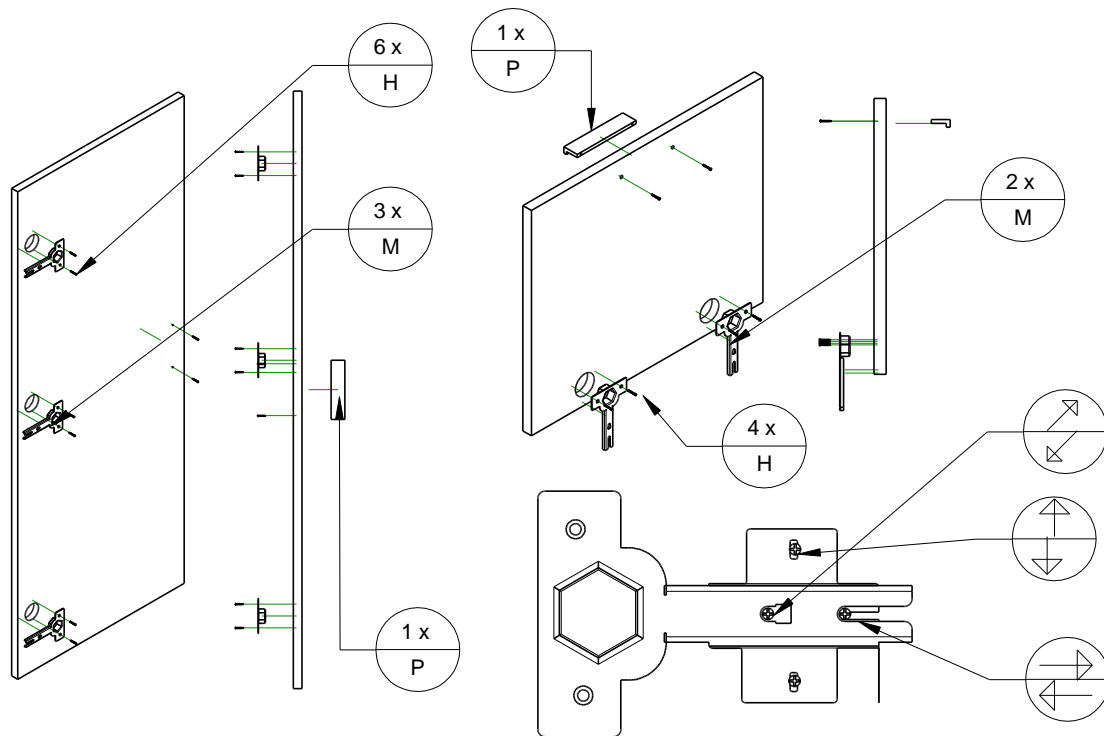


8

a=b! $\frac{120 \times}{F}$



9



10

