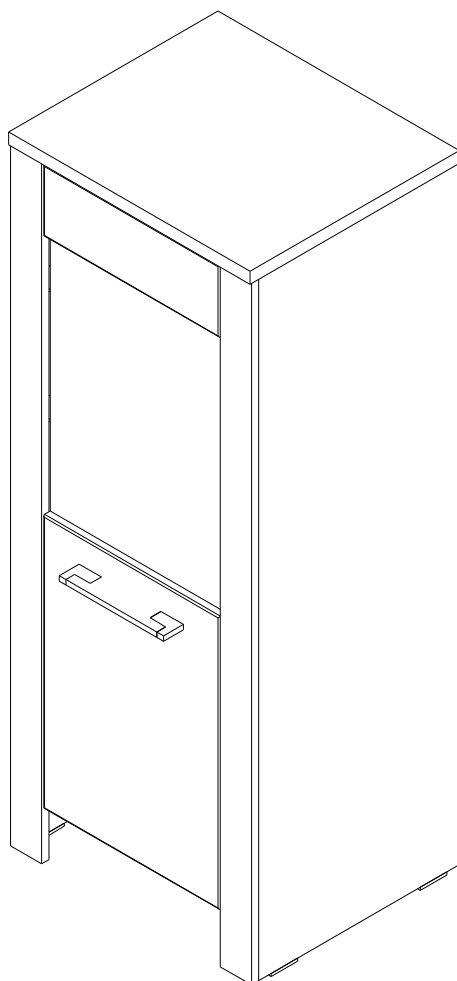
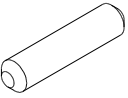
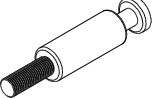
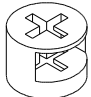

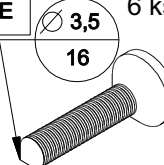
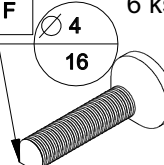
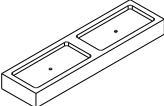
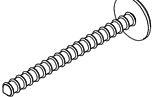
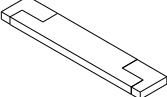
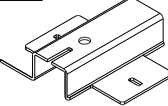
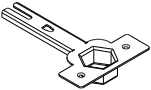

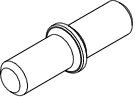
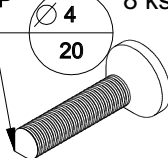
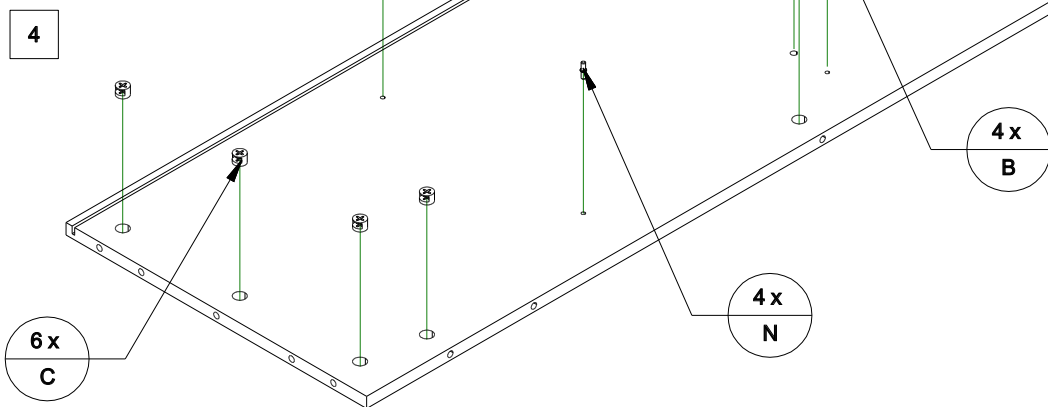
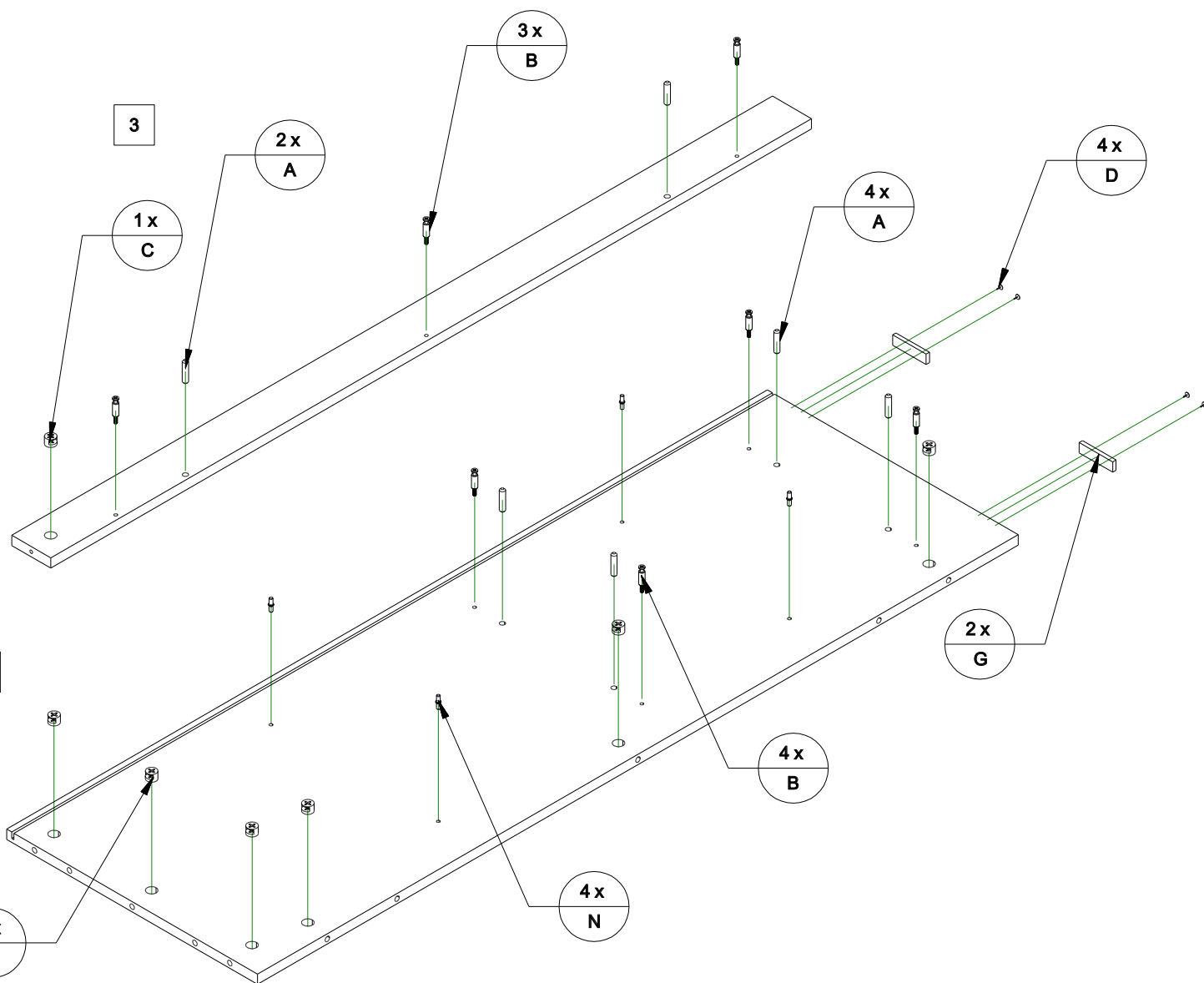
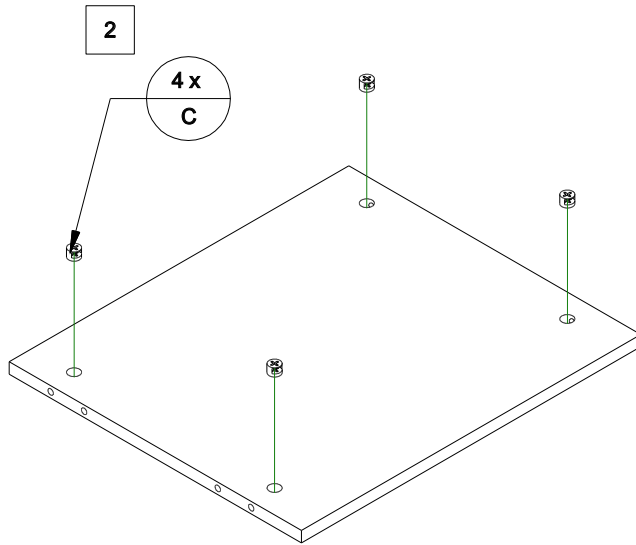
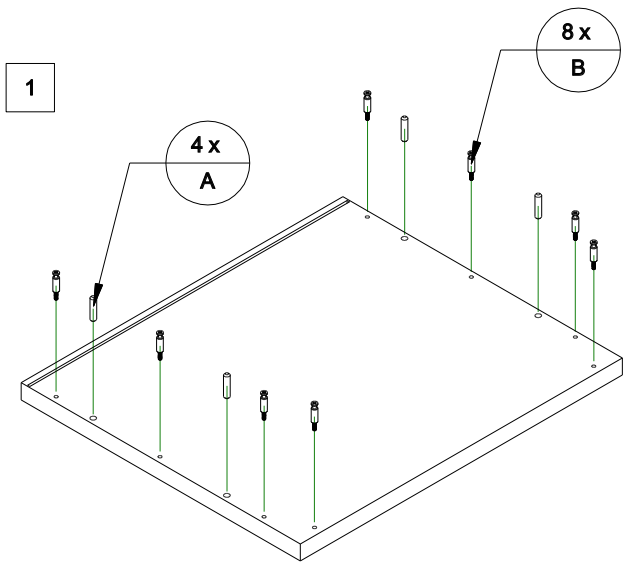
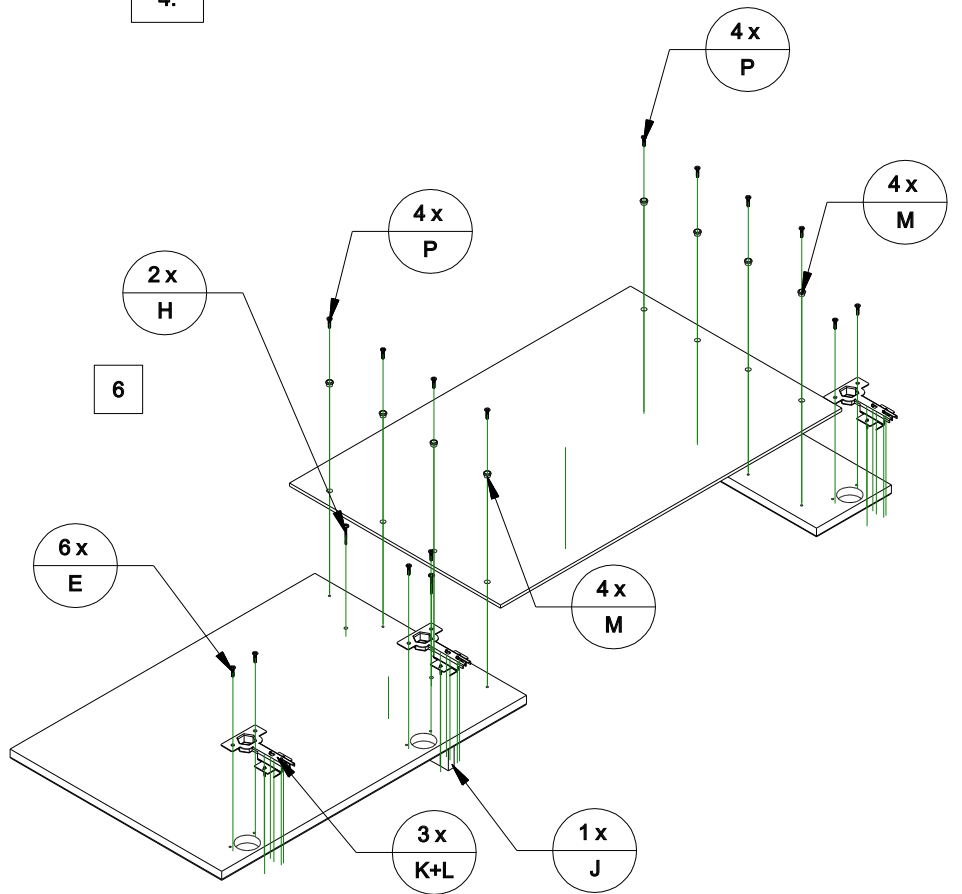
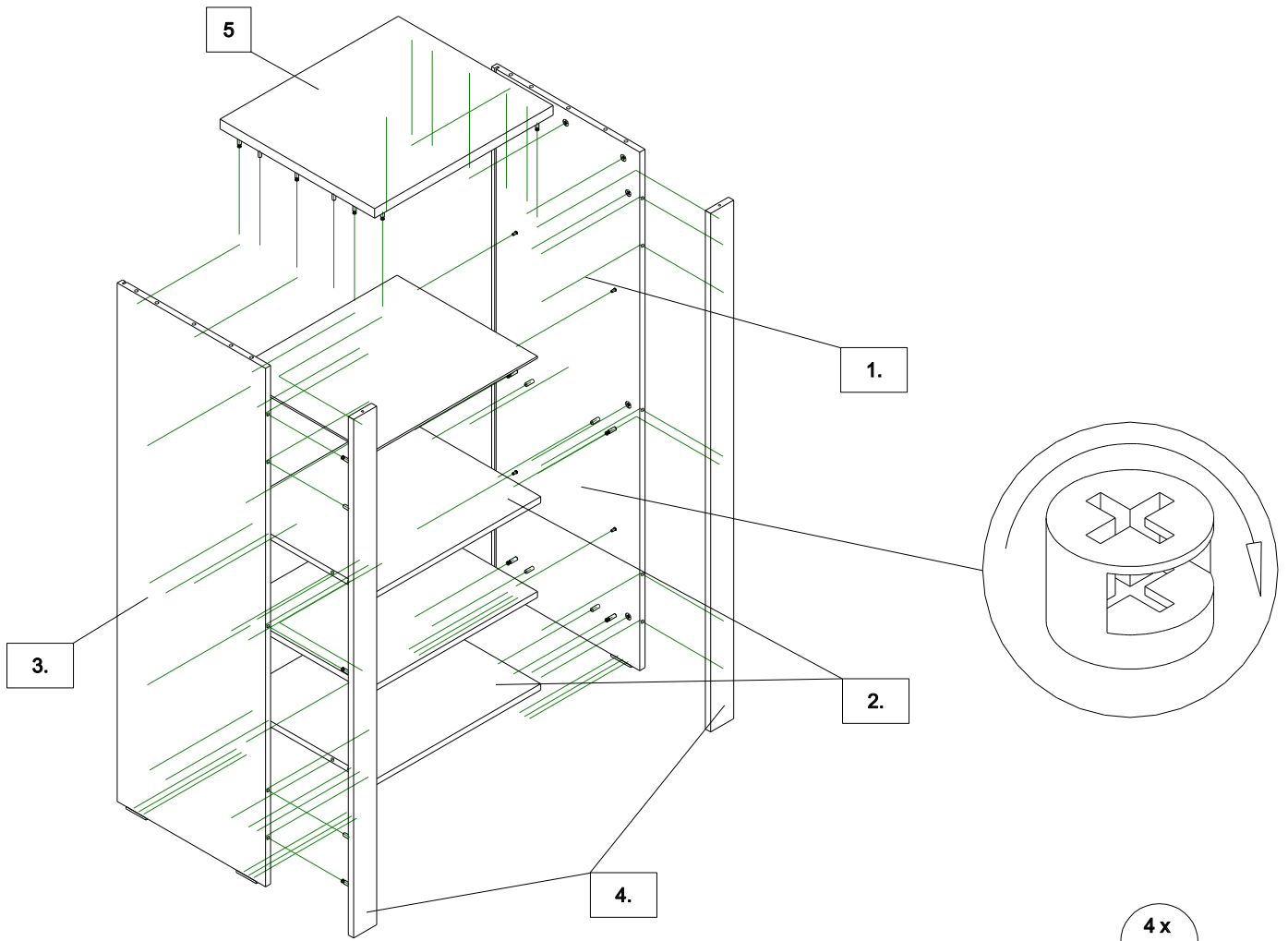


BIANCA TYP 7-VITRINA MALA 1D SKLO+LED

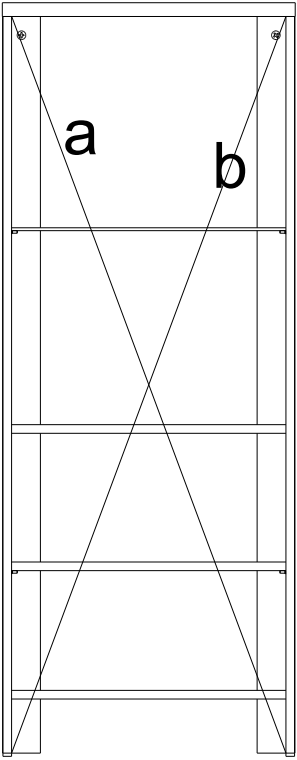


A 16 ks 	B 22 ks 	C 22 ks 	D 26 ks 	E 6 ks 	F 6 ks 	G 4 ks 
H 2 ks 	J 1 ks 	K 3 ks 	L 3 ks 	M 8 ks 	N 8 ks 	P 8 ks 



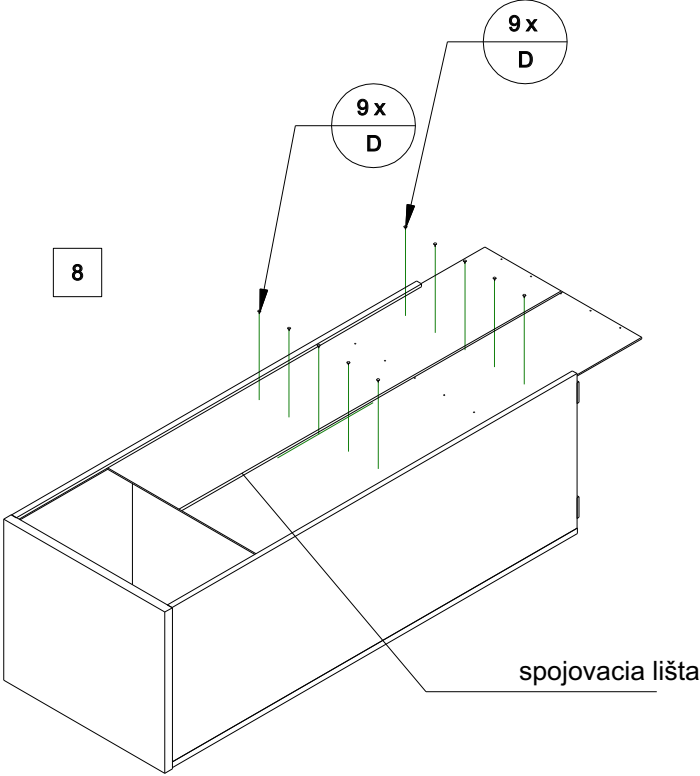


7



a=b !

8



9

