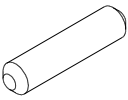
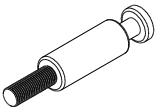
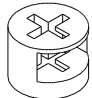

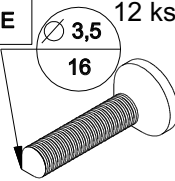
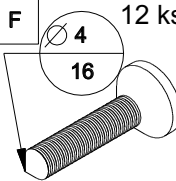
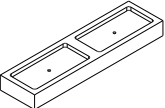

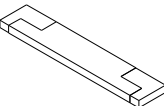
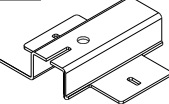
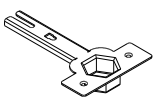

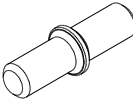
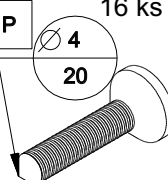
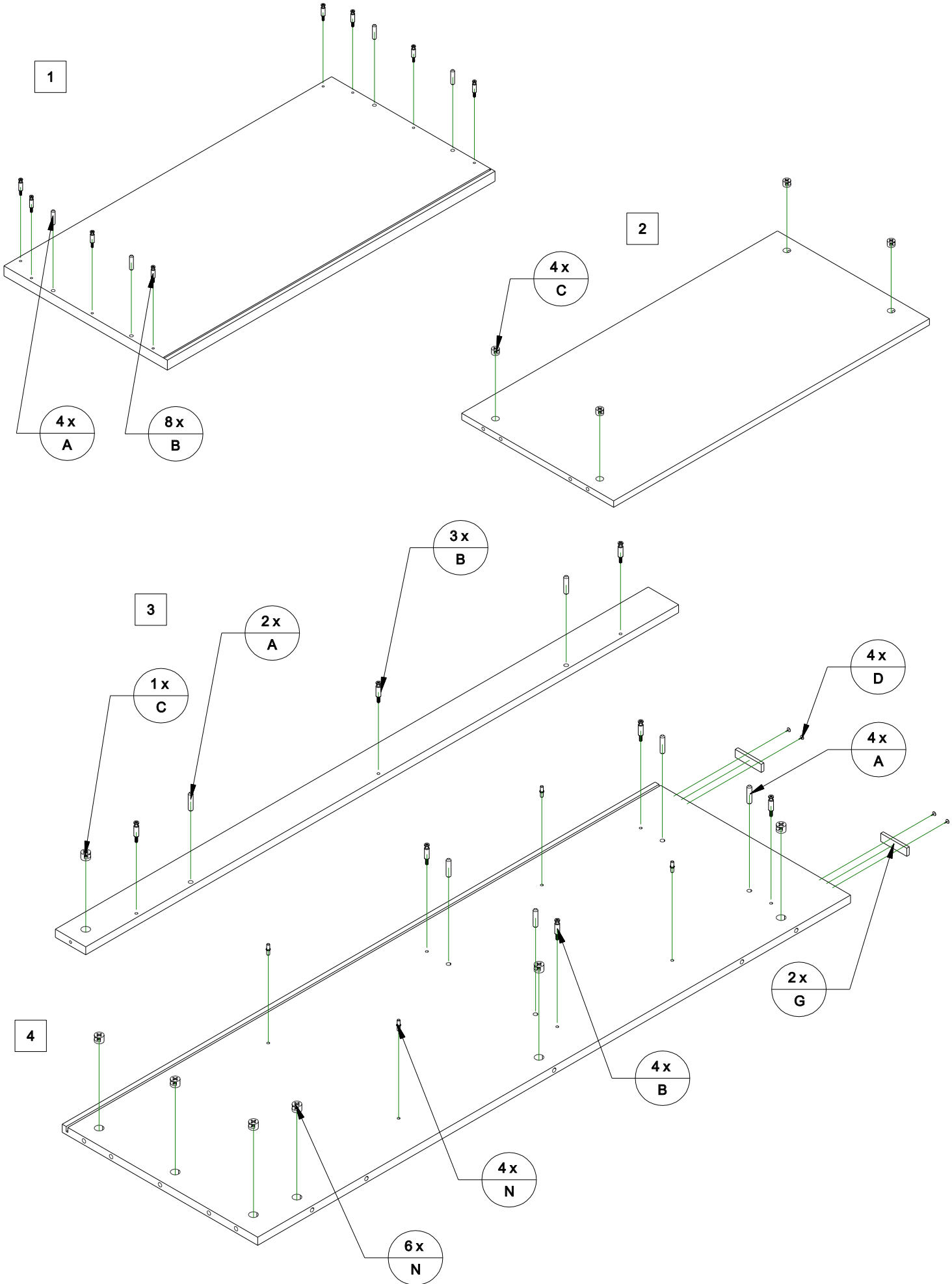
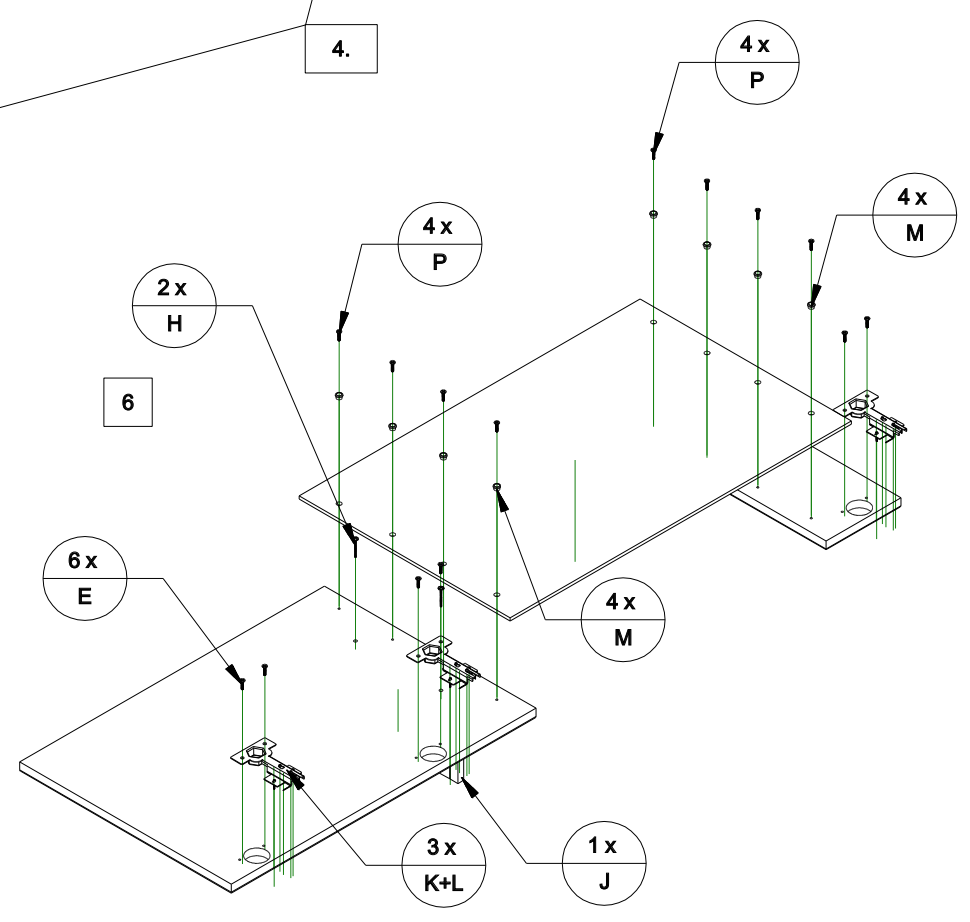
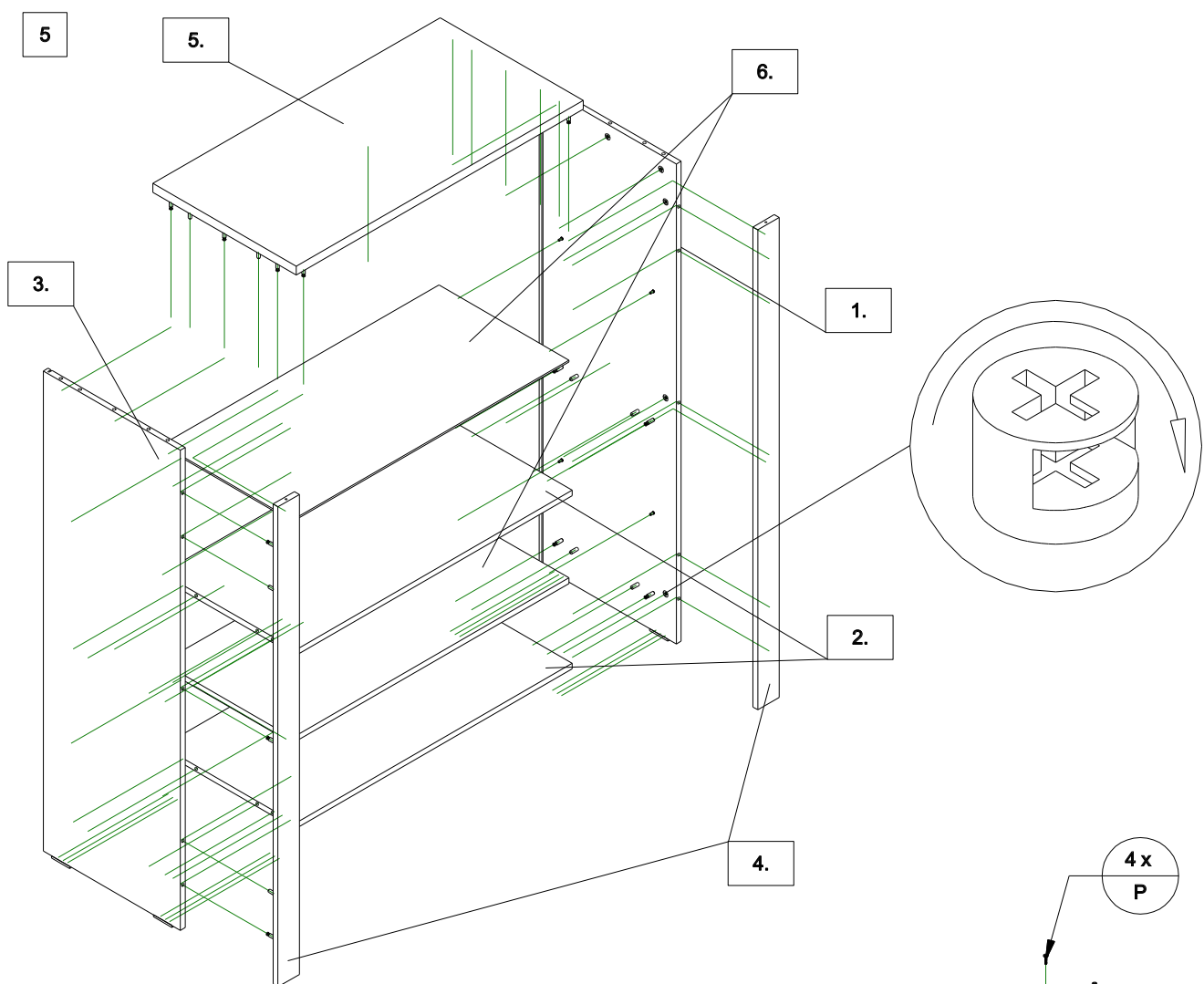


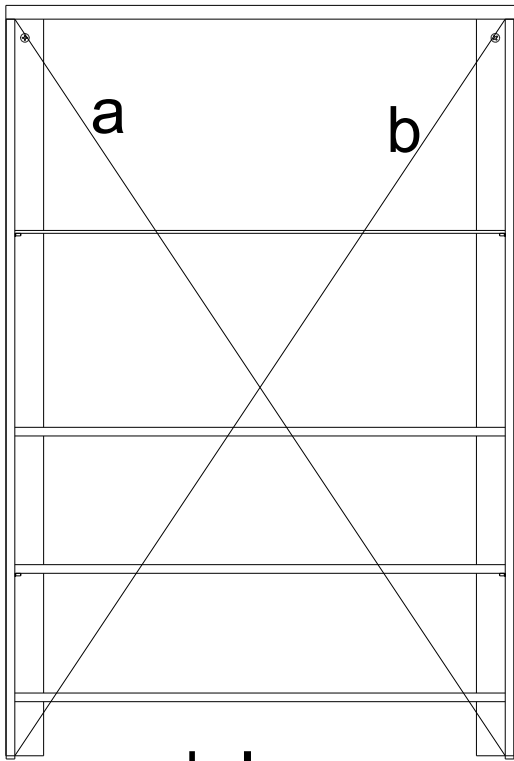
BIANCA TYP 6 - VITRINA MALA 2D SKLO+LED



A 16 ks 	B 22 ks 	C 22 ks 	D 26 ks 	E $\varnothing 3,5$ 12 ks 	F $\varnothing 4$ 12 ks 	G 4 ks 
H 4 ks 	J 2 ks 	K 6 ks 	L 6 ks 	M 16 ks 	N 8 ks 	P $\varnothing 4$ 16 ks 

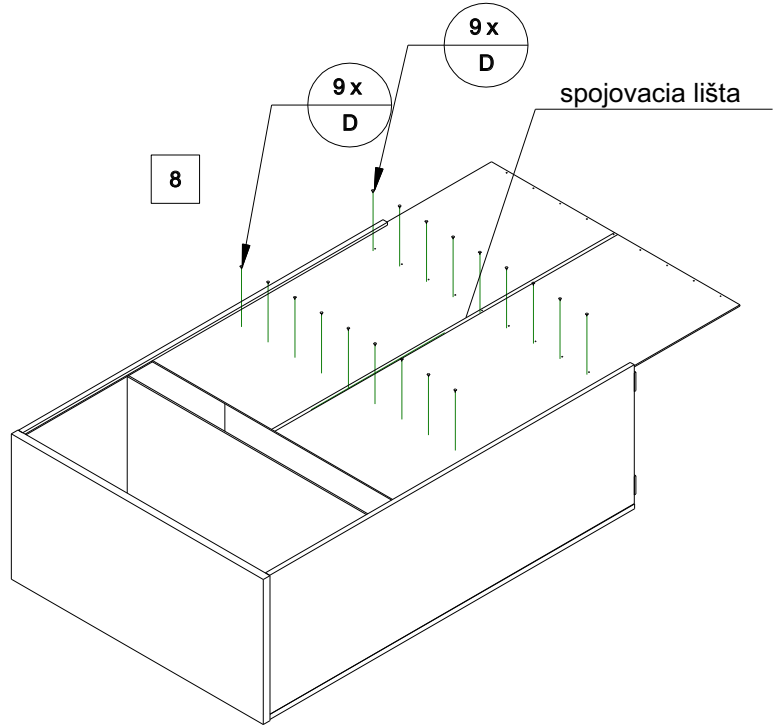






7

a=b !



8

9

