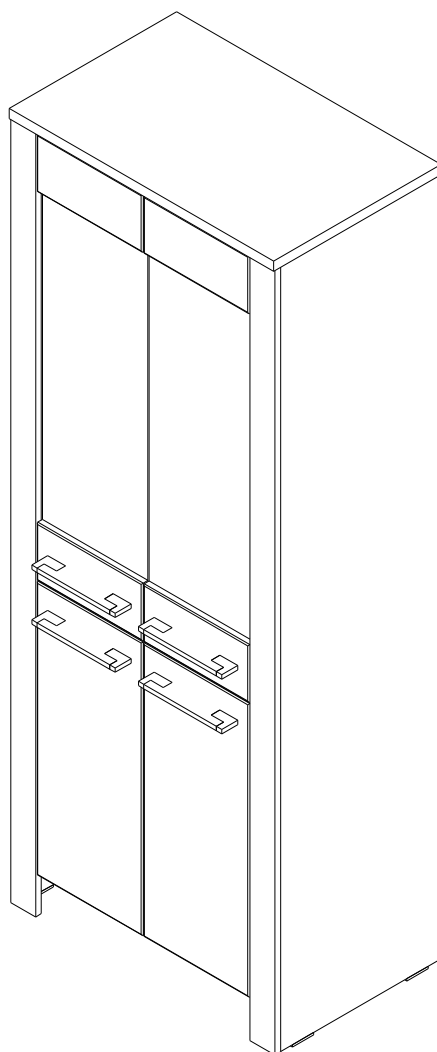
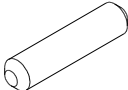
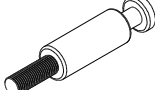
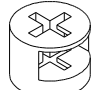

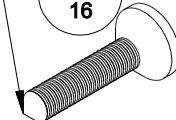
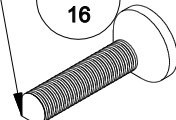
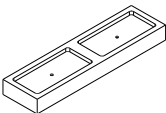

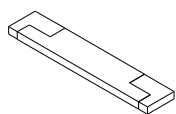
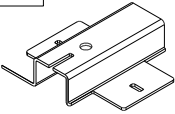
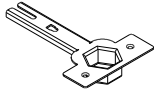

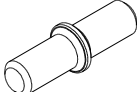
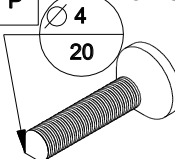
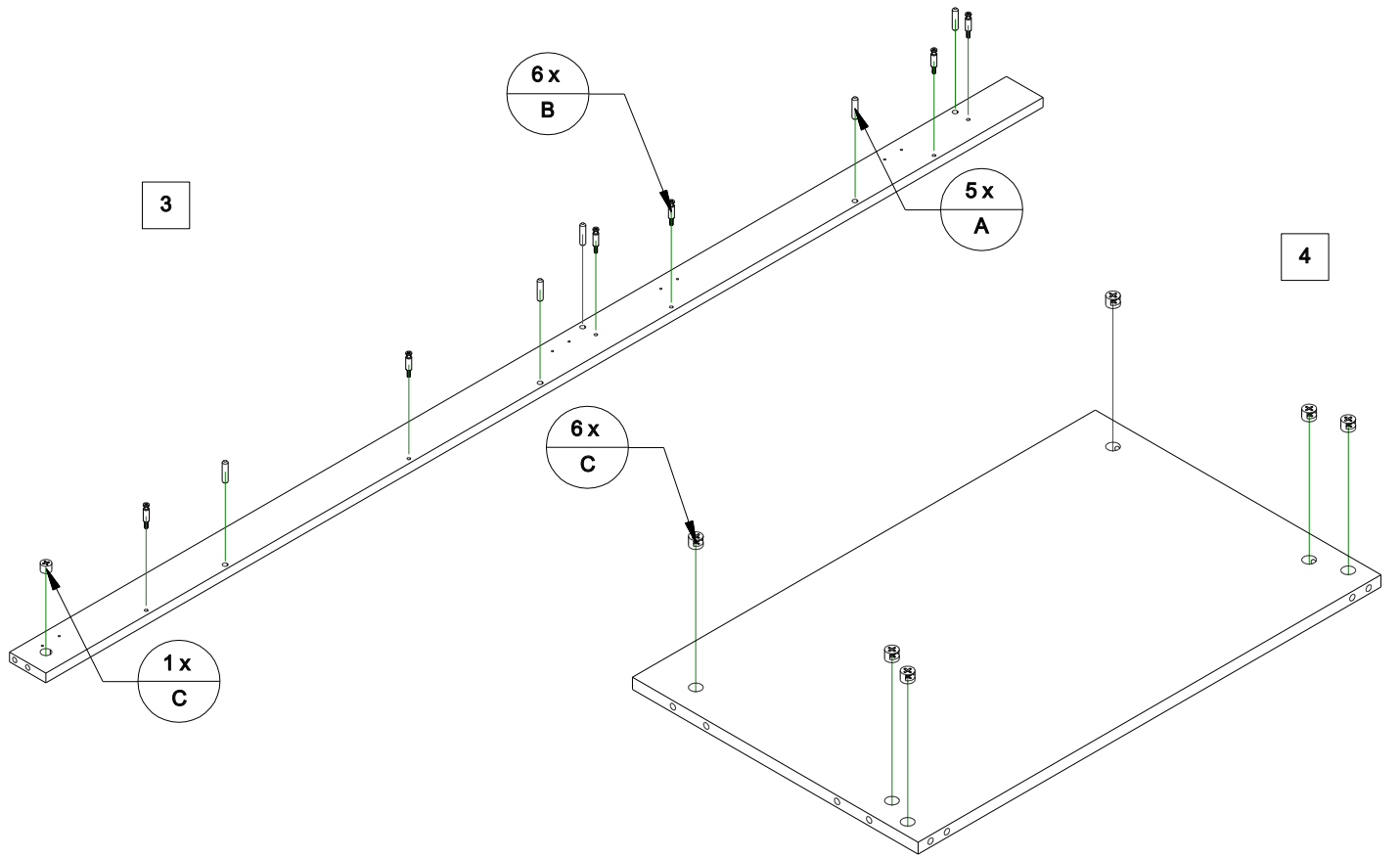
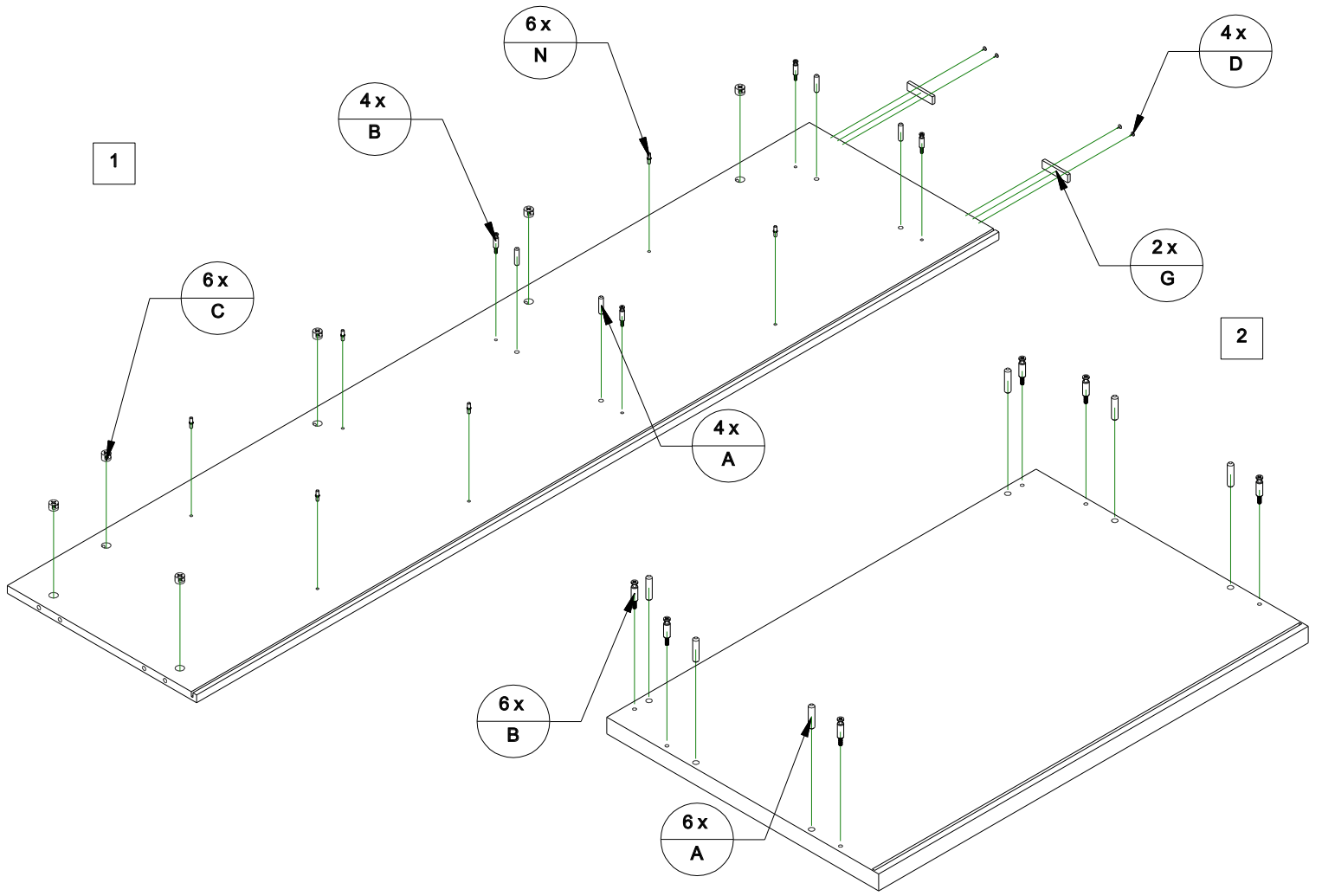


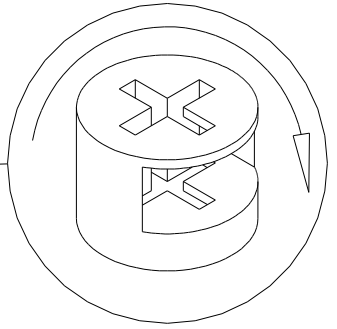
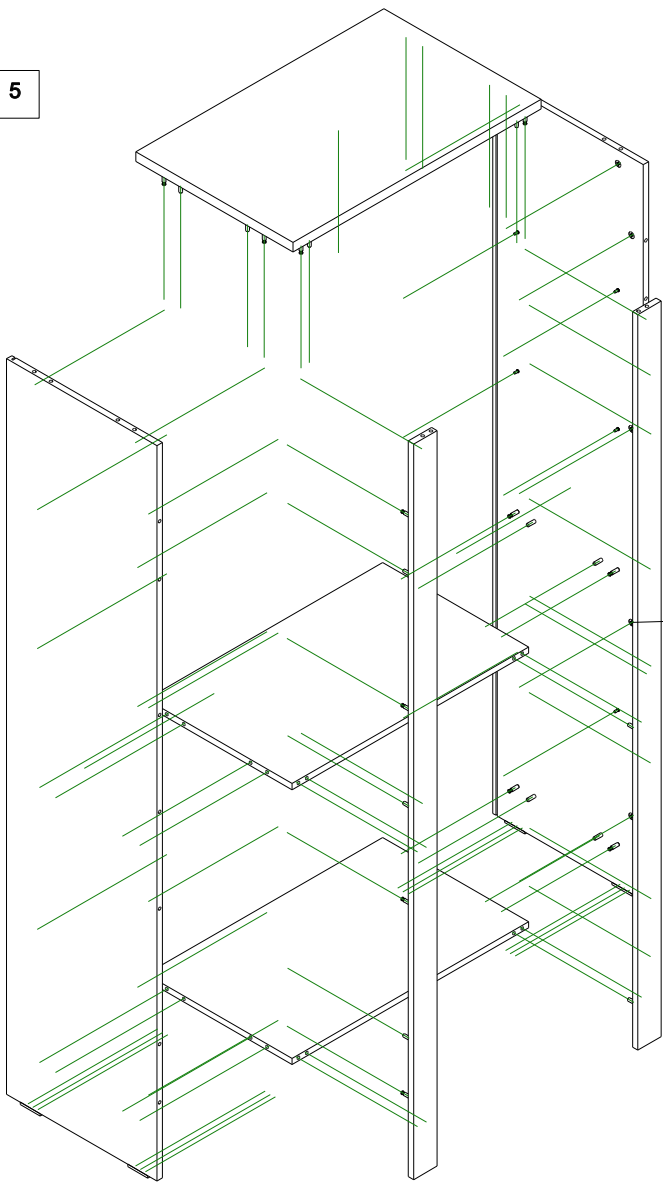
BIANCA TYP 3 - VITRINA 4D SKLO+LED



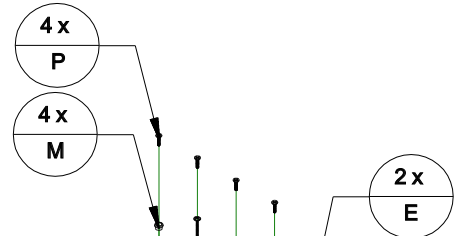
A 24 ks 	B 26 ks 	C 26 ks 	D 22 ks 	E $\varnothing 3,5$ 16 ks 	F $\varnothing 4$ 16 ks 	G 4 ks 
H 8 ks 	J 4 ks 	K 8 ks 	L 8 ks 	M 16 ks 	N 12 ks 	P $\varnothing 4$ 16 ks 



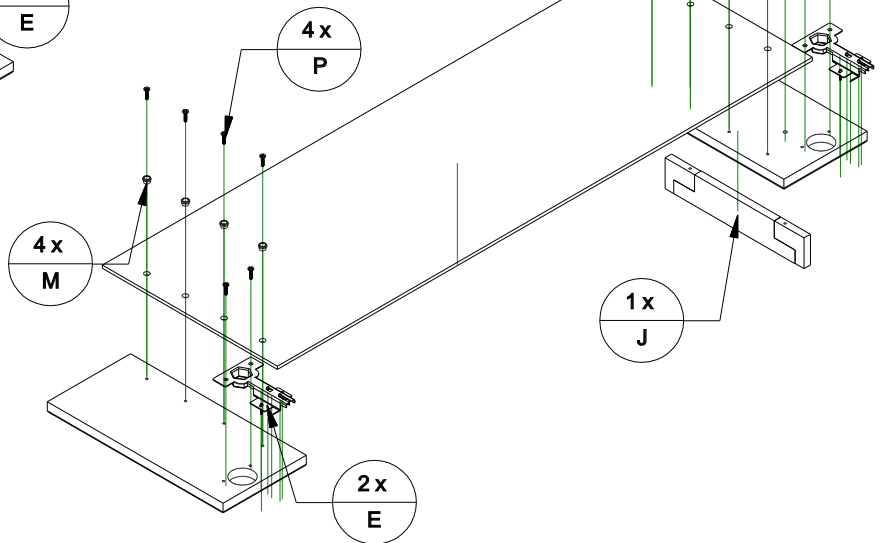
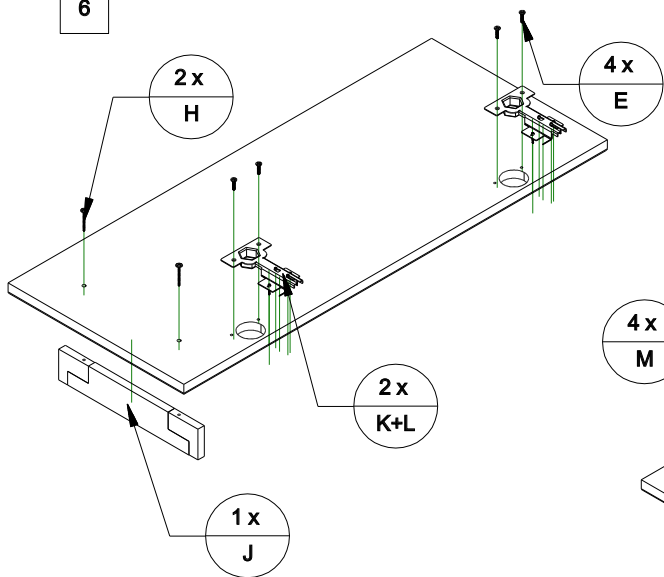
5



7

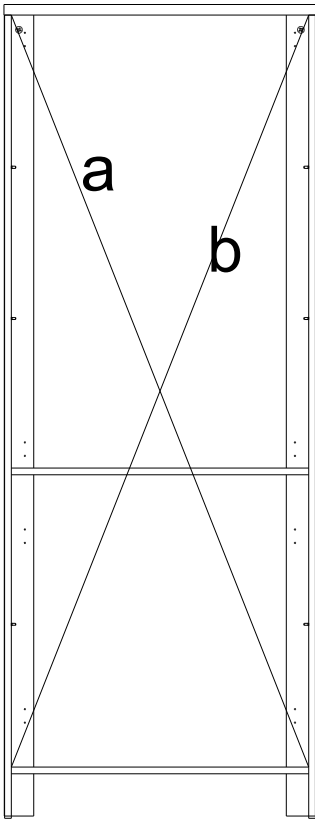


6

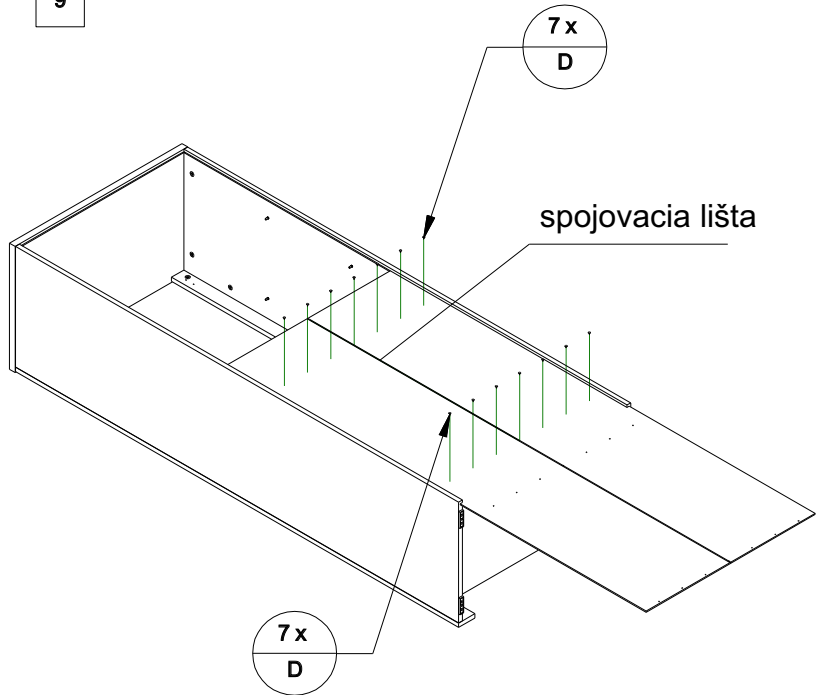


$a=b!$

8



9



10

