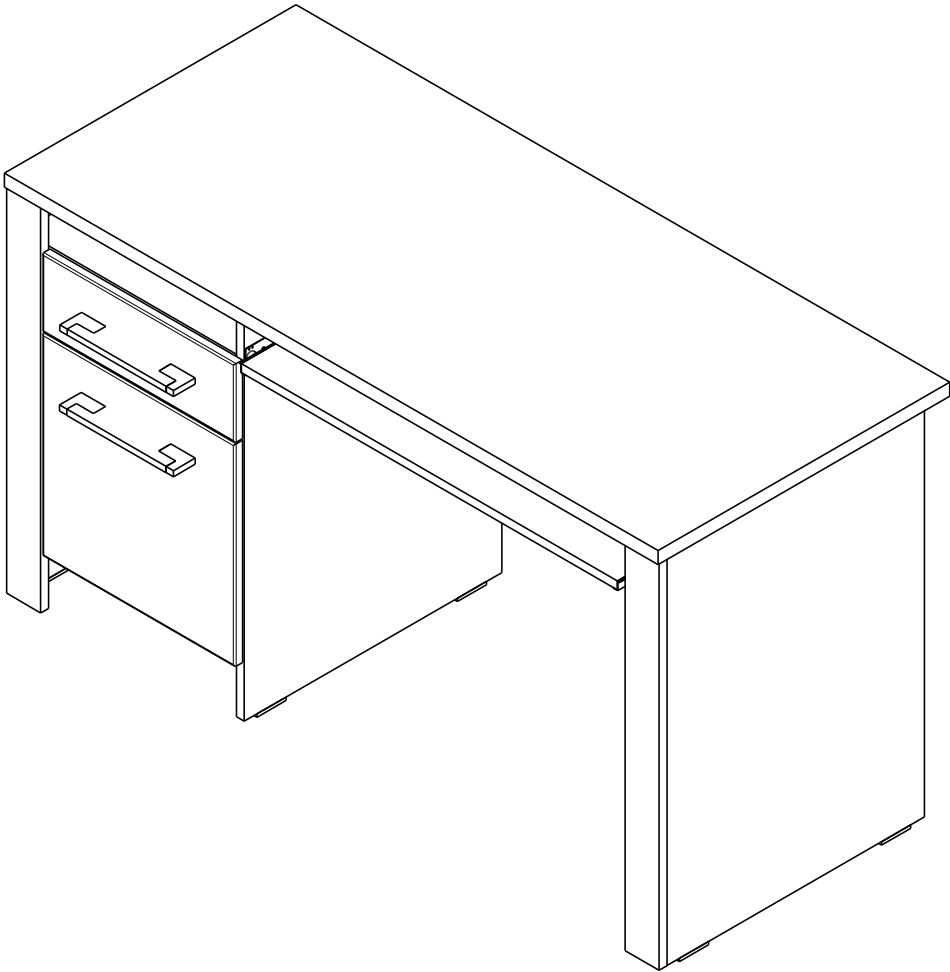
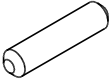



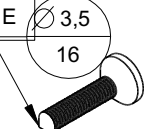
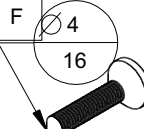
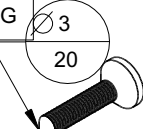

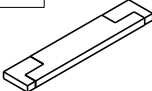
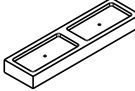
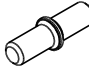
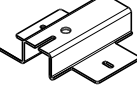
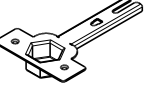

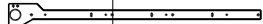
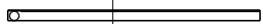
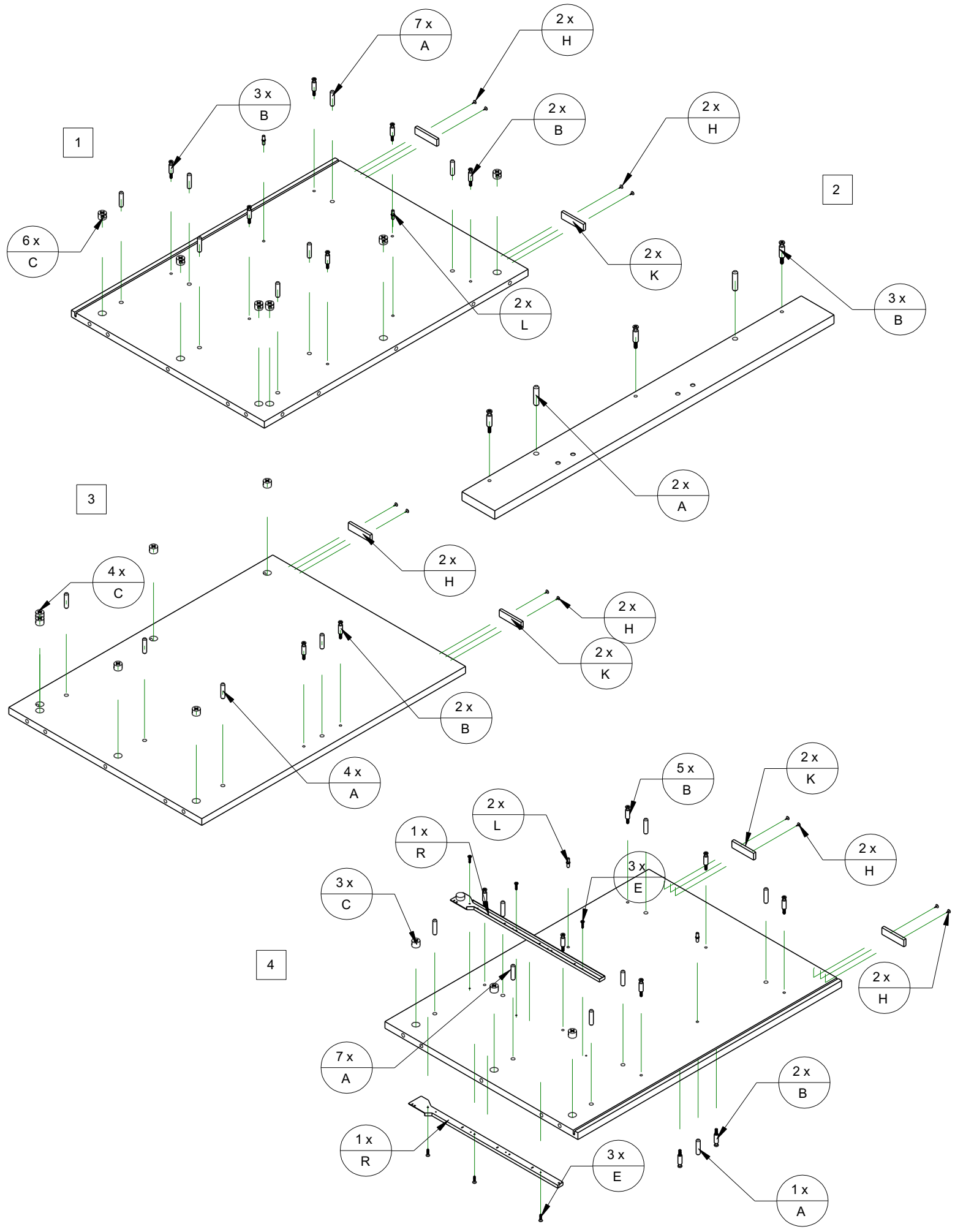
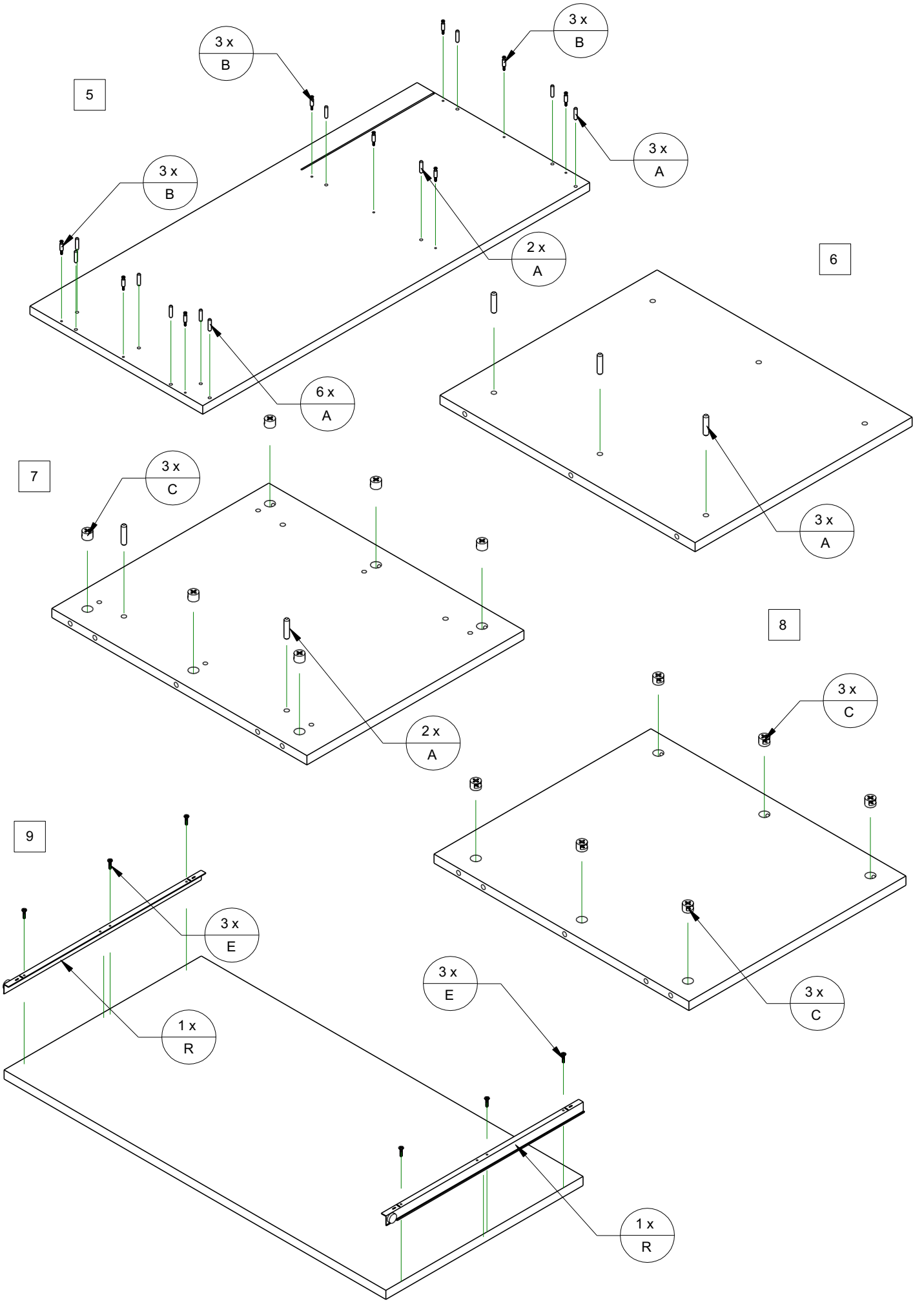


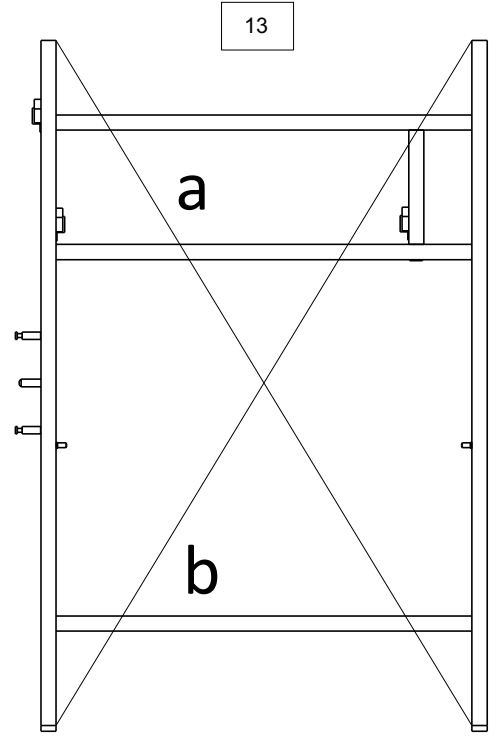
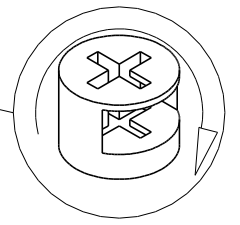
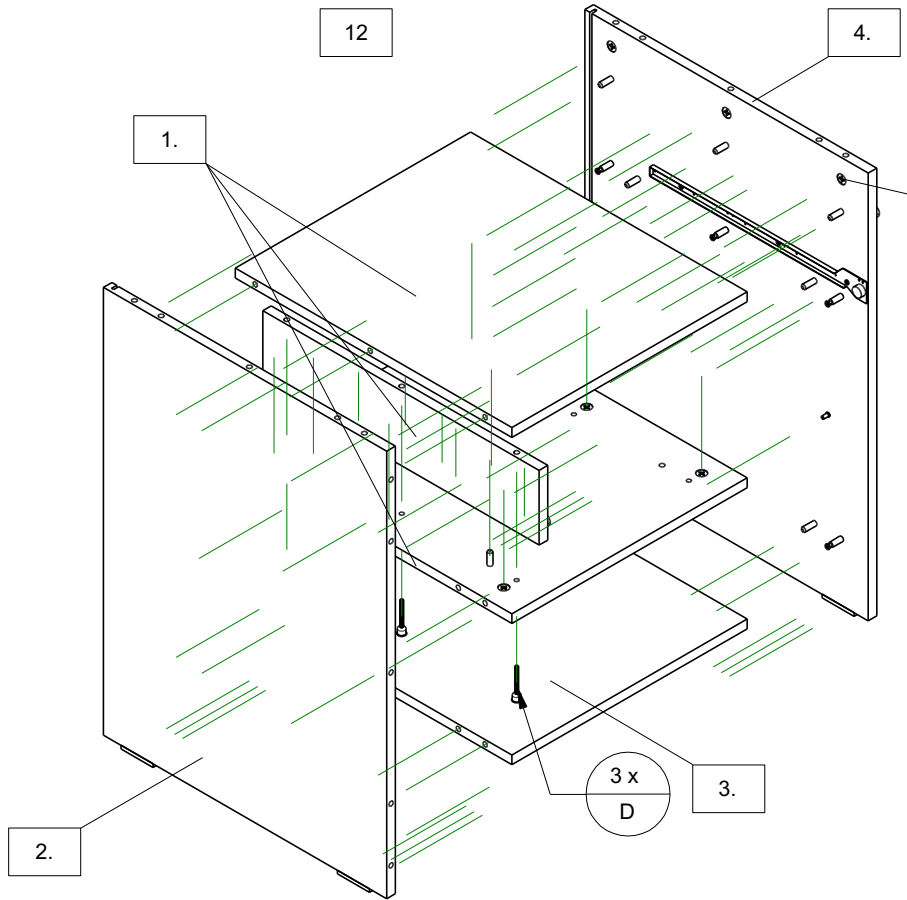
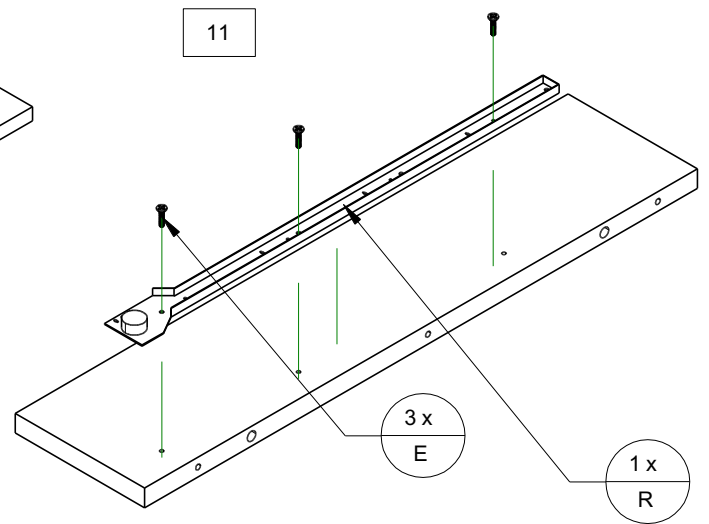
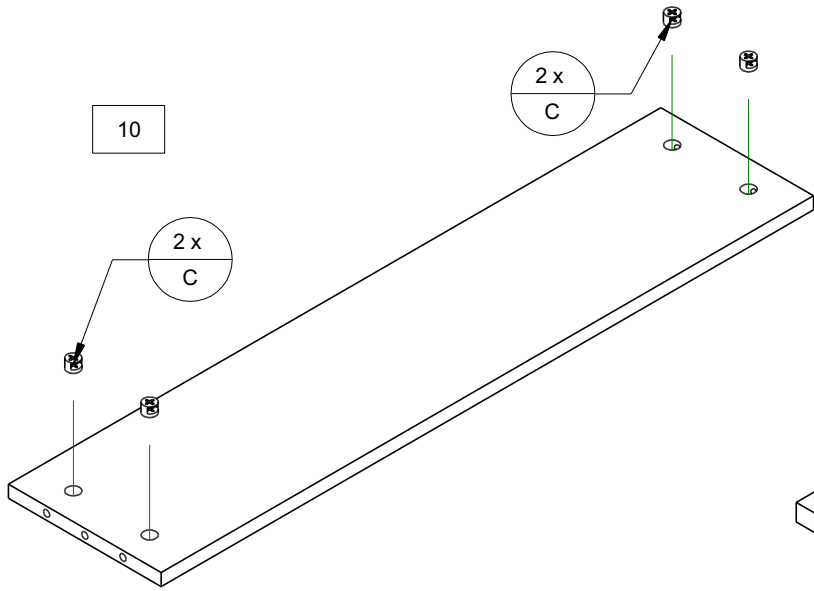
BIANCA - 15 - PC stôl



A 	B 	C 	D 	E 	F 	G 	H 
J 	K 	L 	M 	N 	P 	R 	







a = b !!

