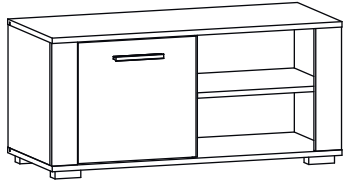


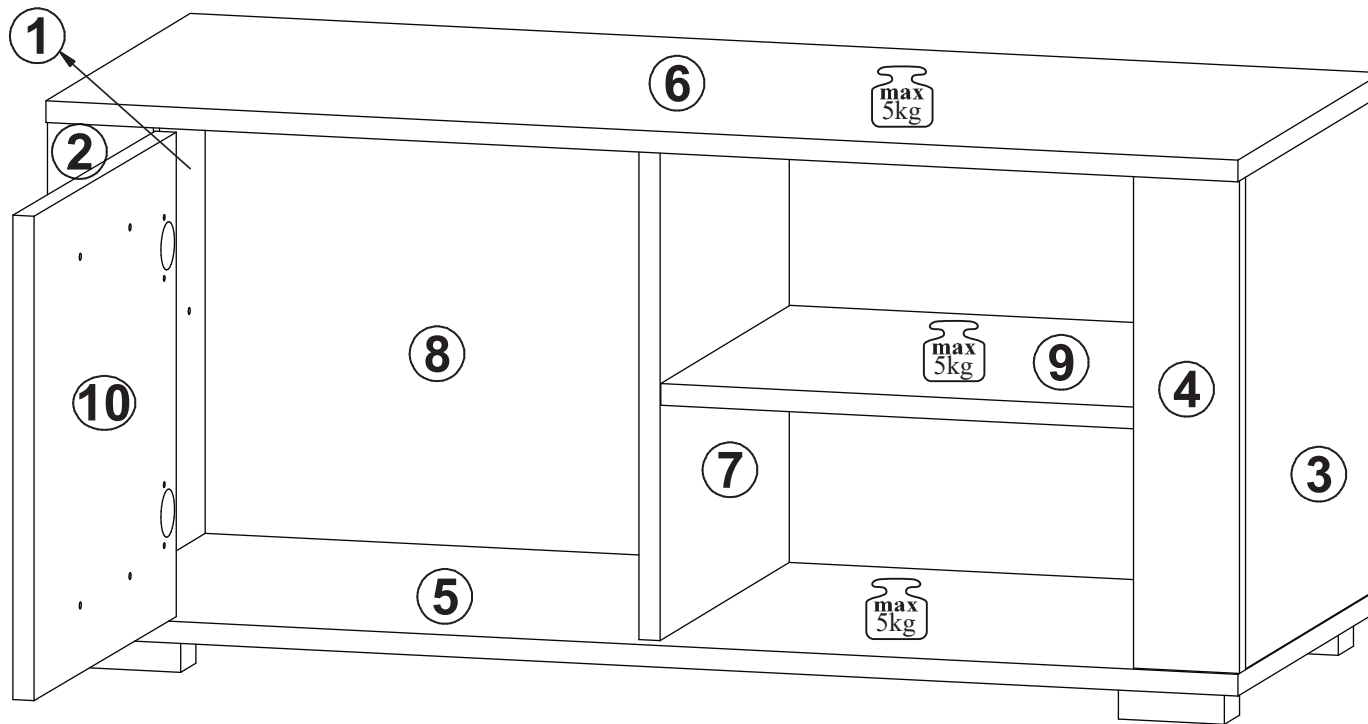
30 min



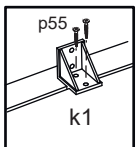
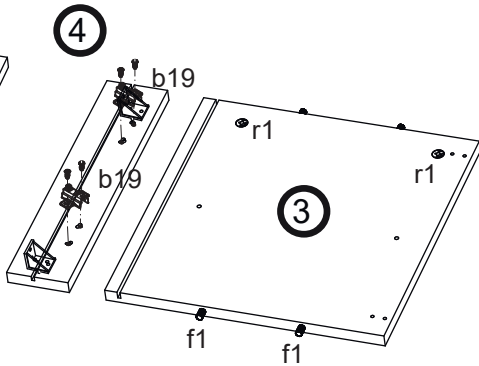
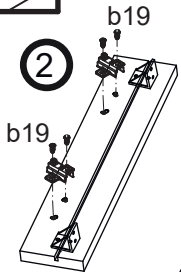
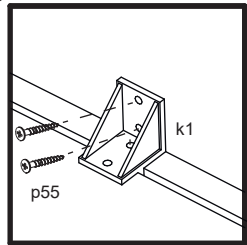
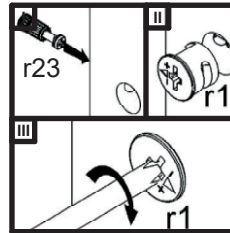
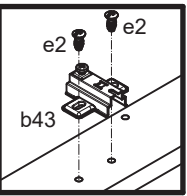
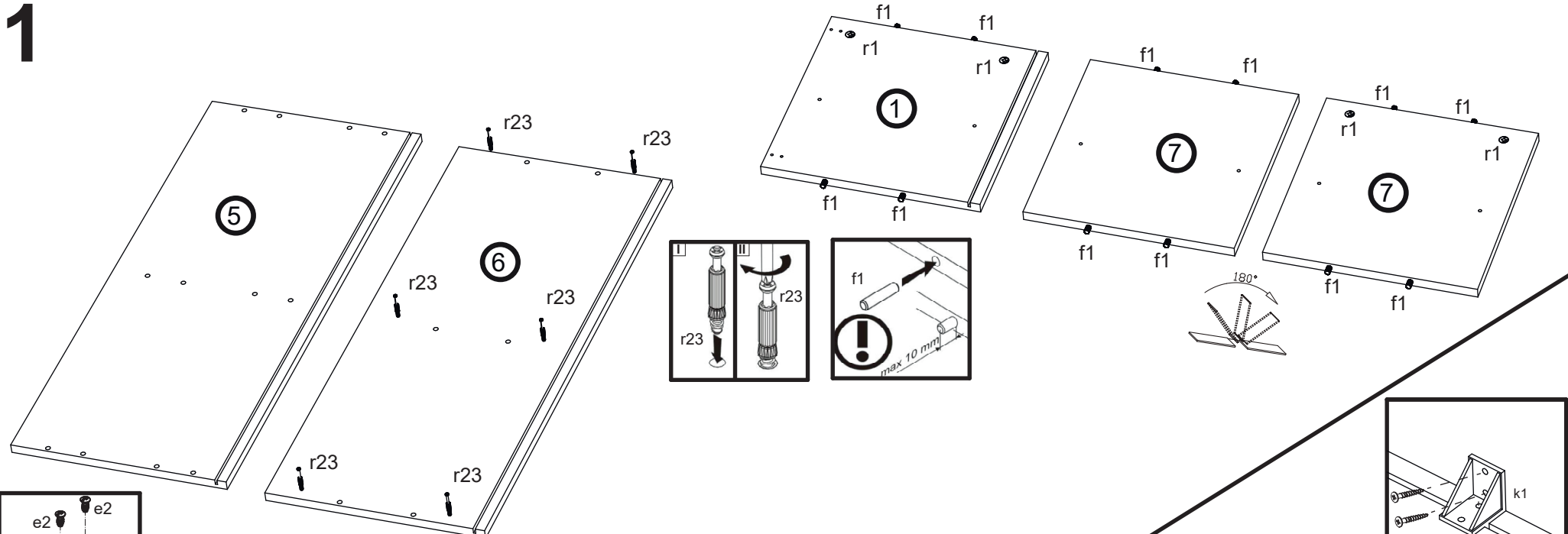
4x φ 6.3x13 mm e3	16x φ3x16 mm p55	2x φ4x16 mm p38	8x φ4x20 mm p9	2x φ4x25 mm p8	4x φ3.5x16 mm p51							
4x k1	6x l2	4x f5mm d3	4x k43	1x L=128 mm r1	2x K0 a99	2x D5 b19	6x s2	6x φ1.5x12mm r1	6x 30/11 r23	12x φ8x30 mm f1	6x φ6.4x50 mm e27	1x z1



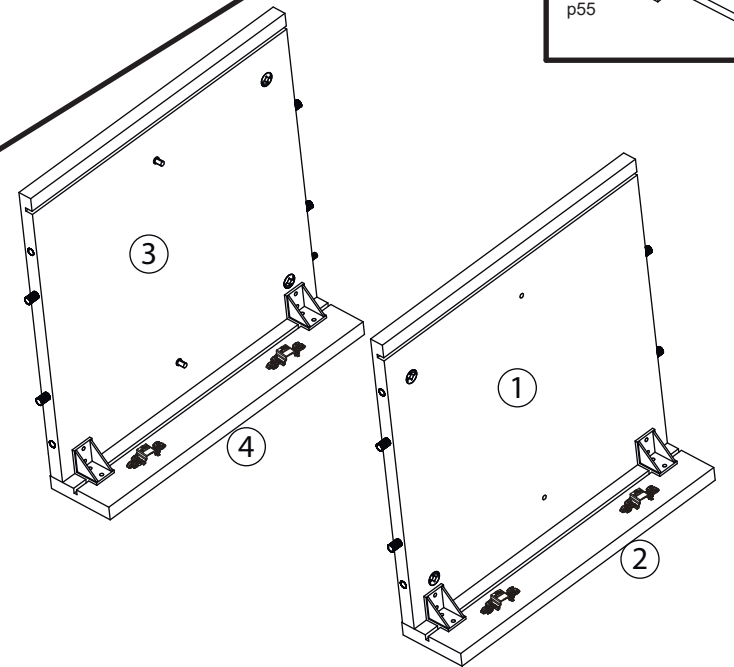
A	B	C	(mm)	Colli
1	1001	363	380	1/1
2	1002	363	80	1/1
3	1003	363	380	1/1
4	1004	363	80	1/1
5	1005	900	380	1/1
6	1006	900	380	1/1
7	1007	363	340	1/1
8	1008	396	396	1/1
9	1009	424	340	1/1
10	1010	357	366	1/1



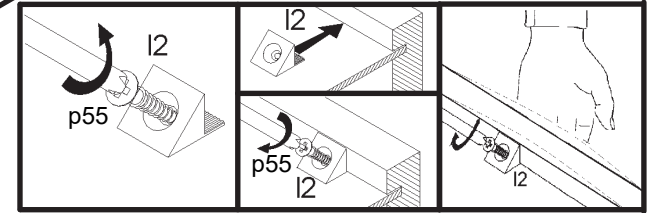
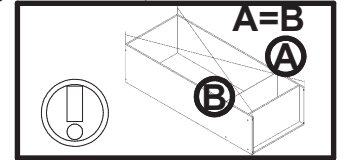
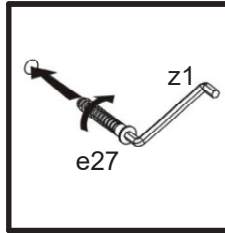
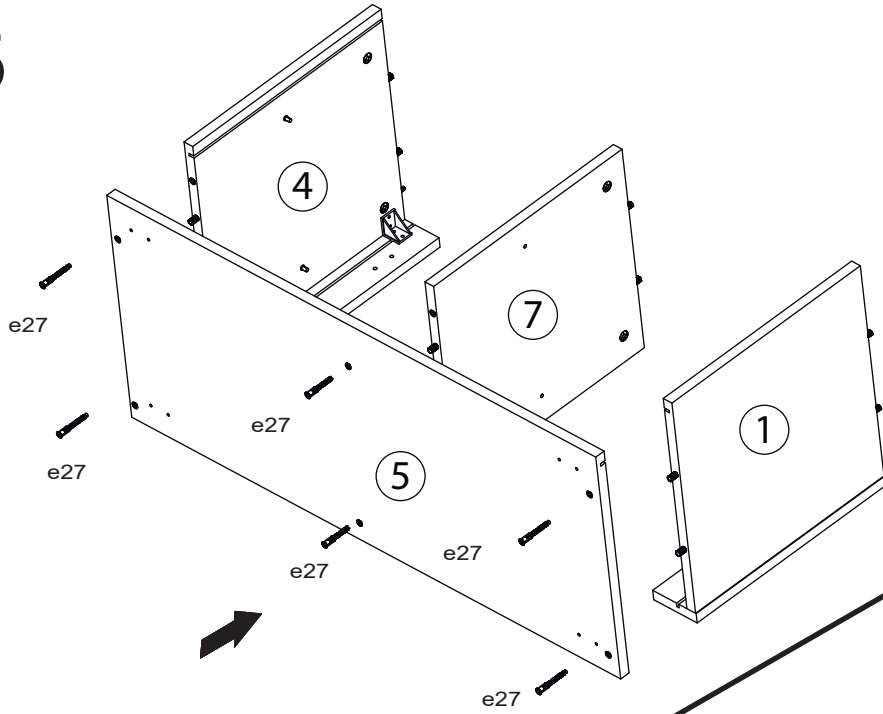
1



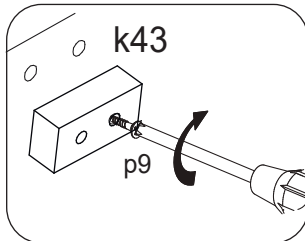
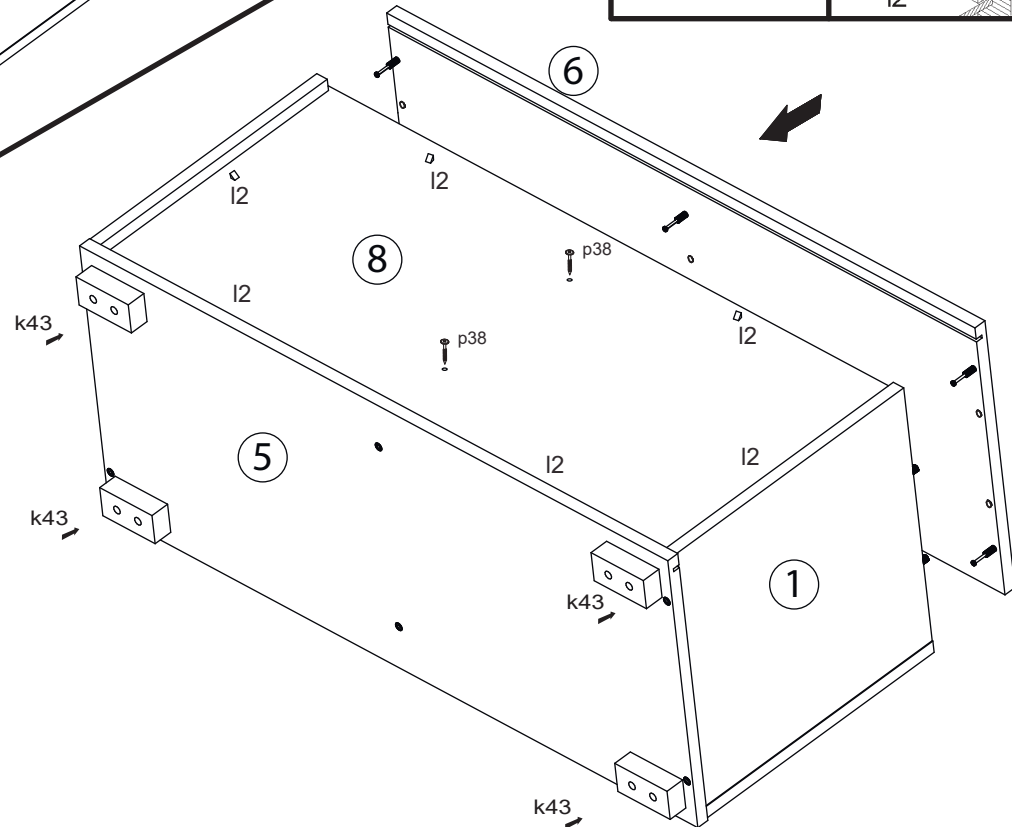
2

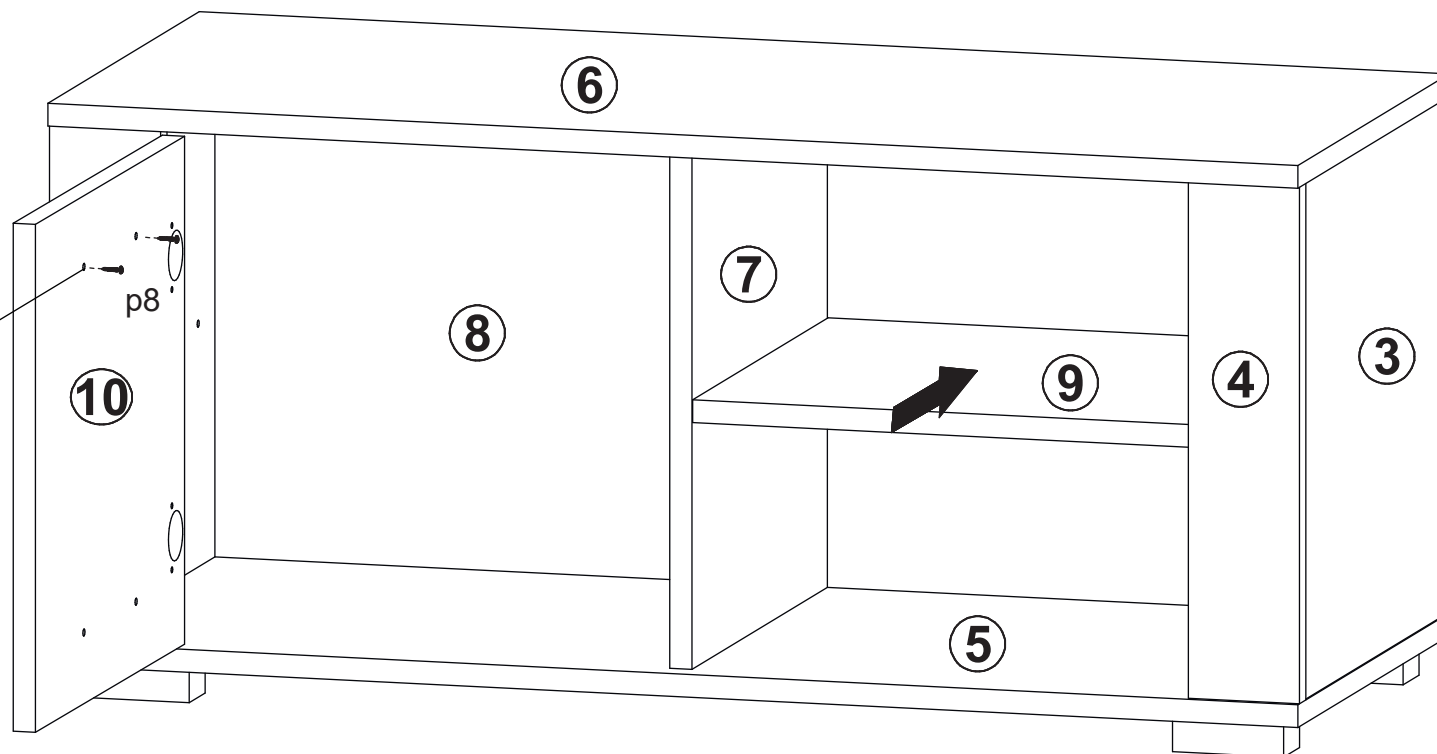
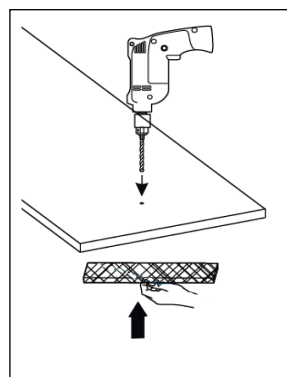
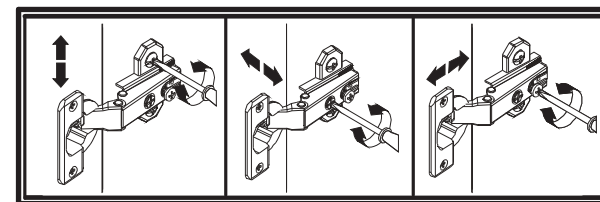
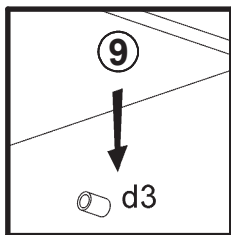


3



4





5