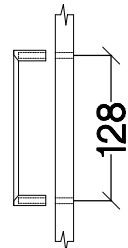
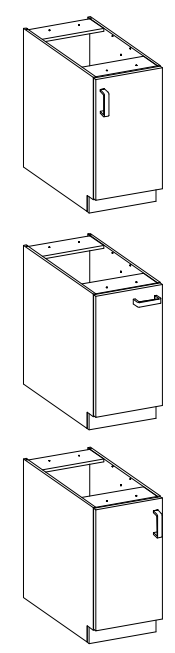
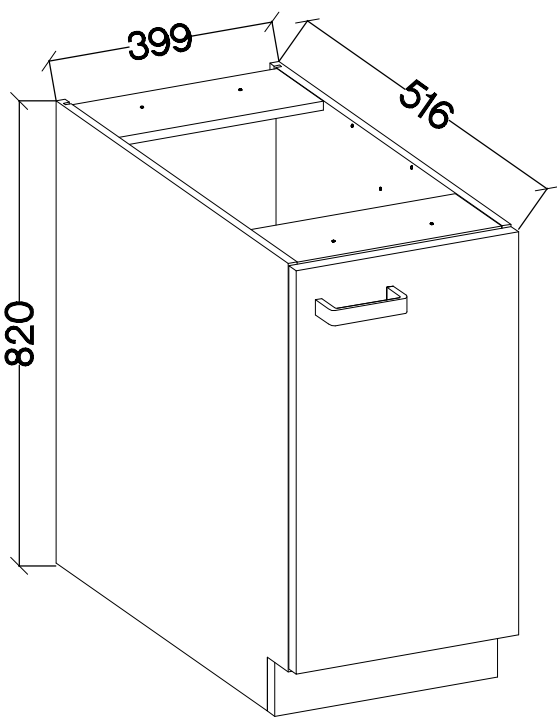
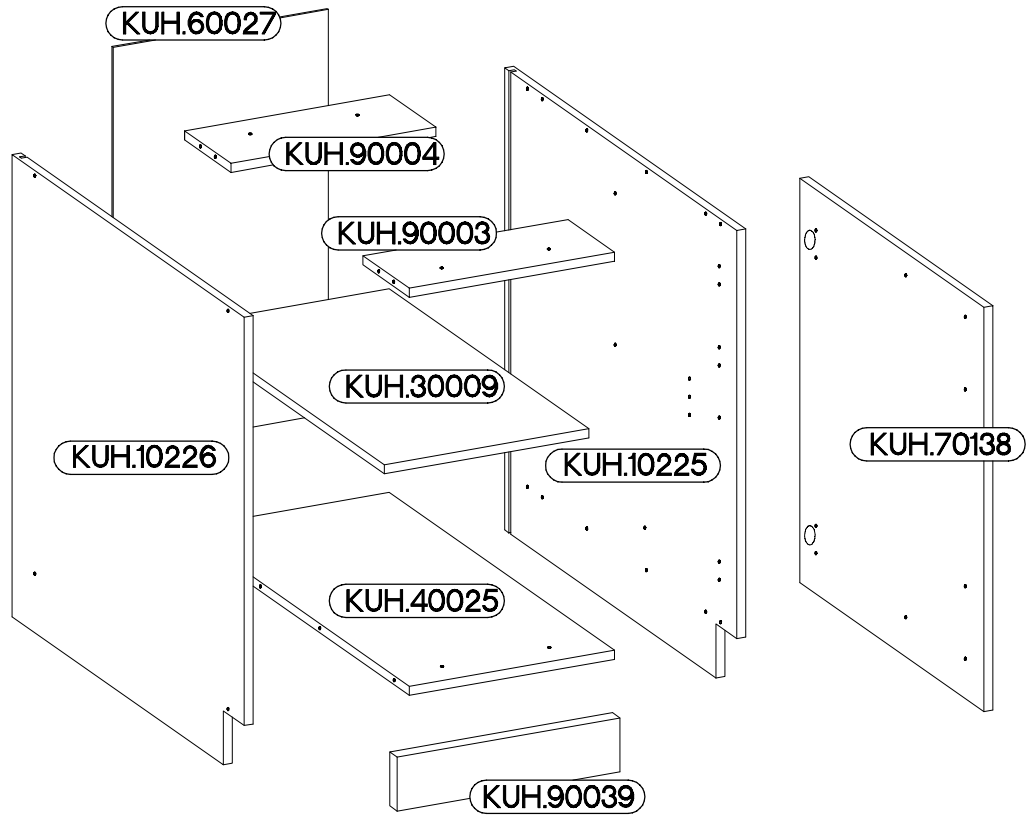
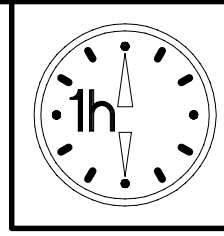


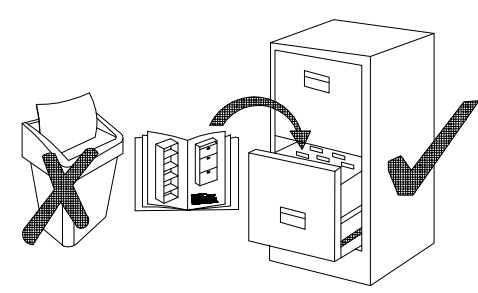
40 D 1F BB



max. 10kg
 KUH.30009
 KUH.40025

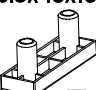
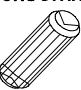
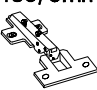



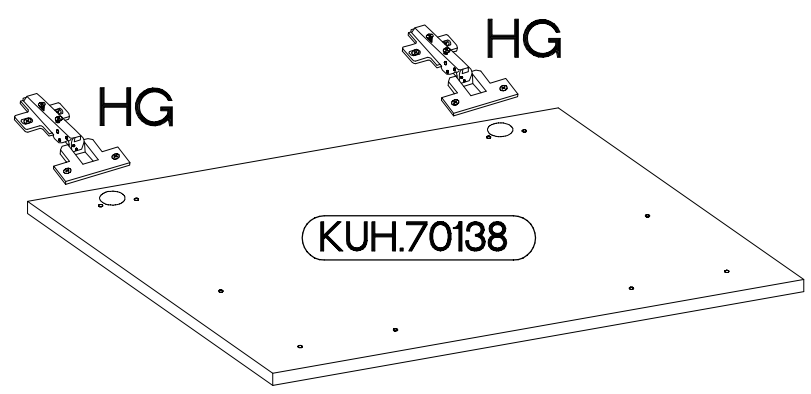
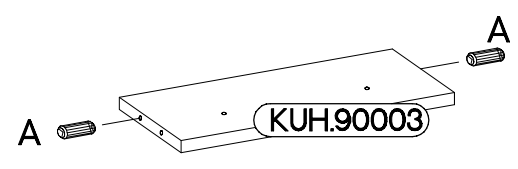
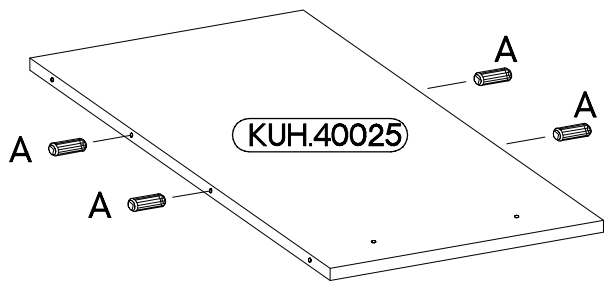
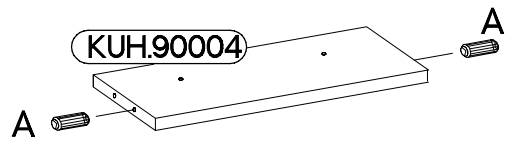
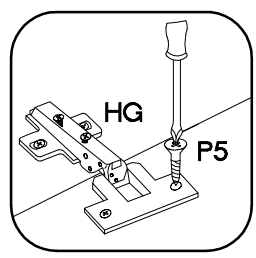
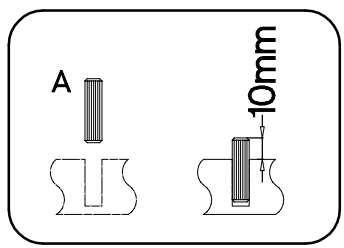
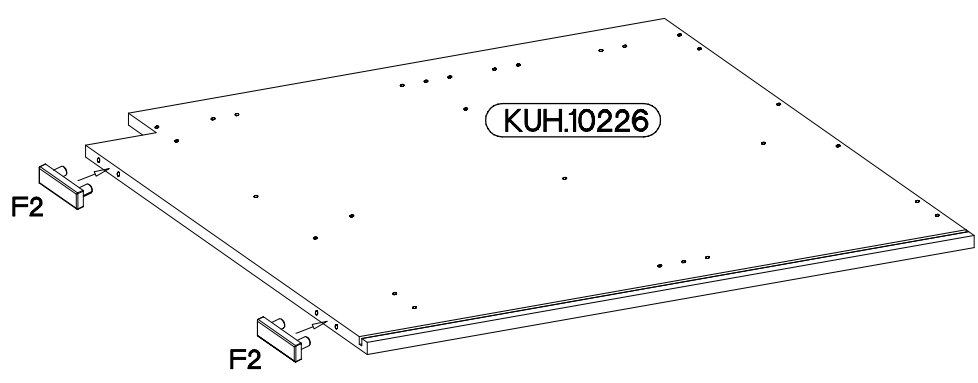
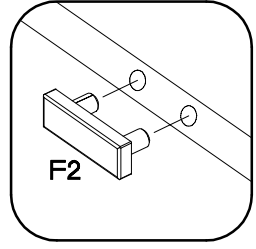
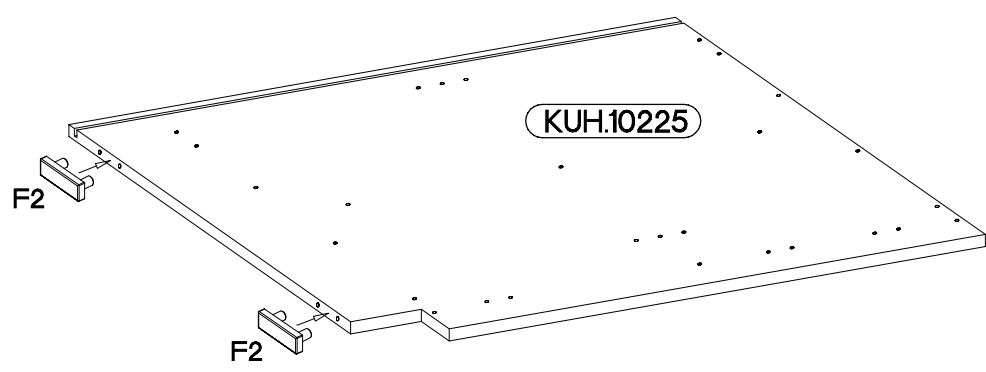
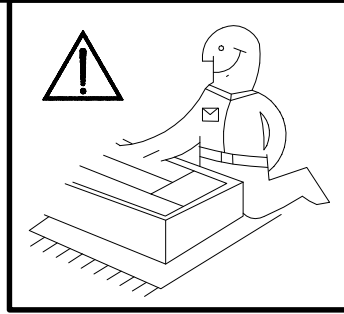
A	B	E1	E9	F2	HG	J
8	8	8	2	4	2	4
O	P4	P5	P7	R3	S23	U
1	2	4	8-10	4	1	2



ISM-KUH-00924

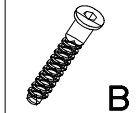
1

6.5x48x16  F2 4	±8x30mm  A 8	±35/0mm  HG 2	±3.5x13mm  P5 4
--	---	--	--



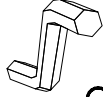
2

6,4 x 50mm



B

4



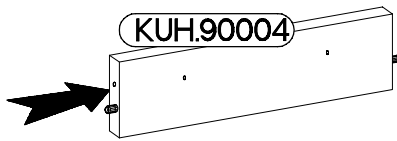
O

1

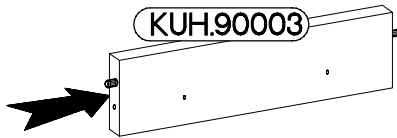


E1

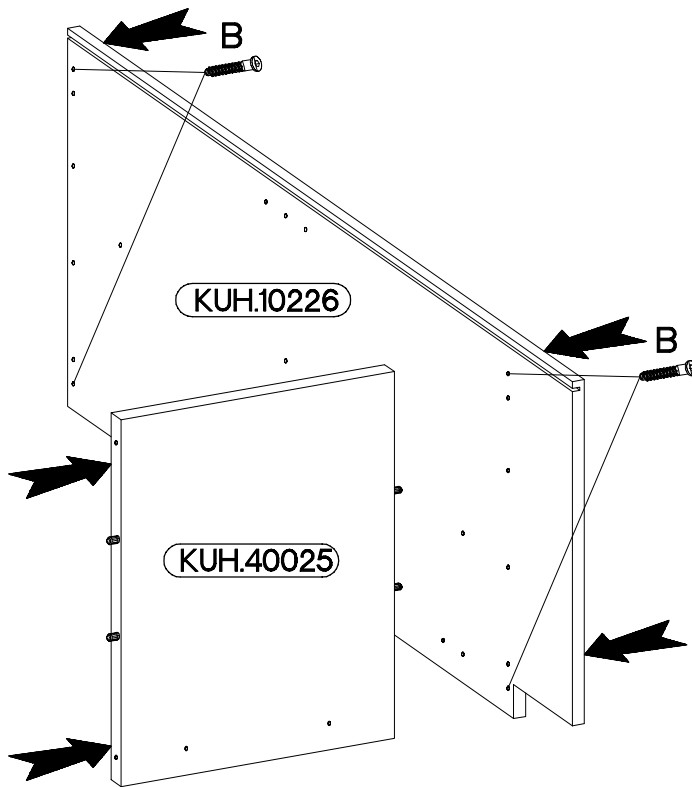
4



KUH.90004

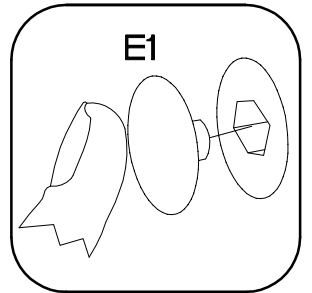
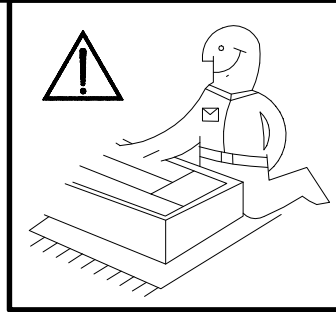


KUH.90003

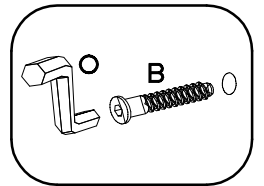


KUH.10226

KUH.40025



E1

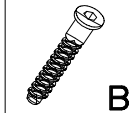


O

B

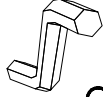
3

6,4 x 50mm



B

4



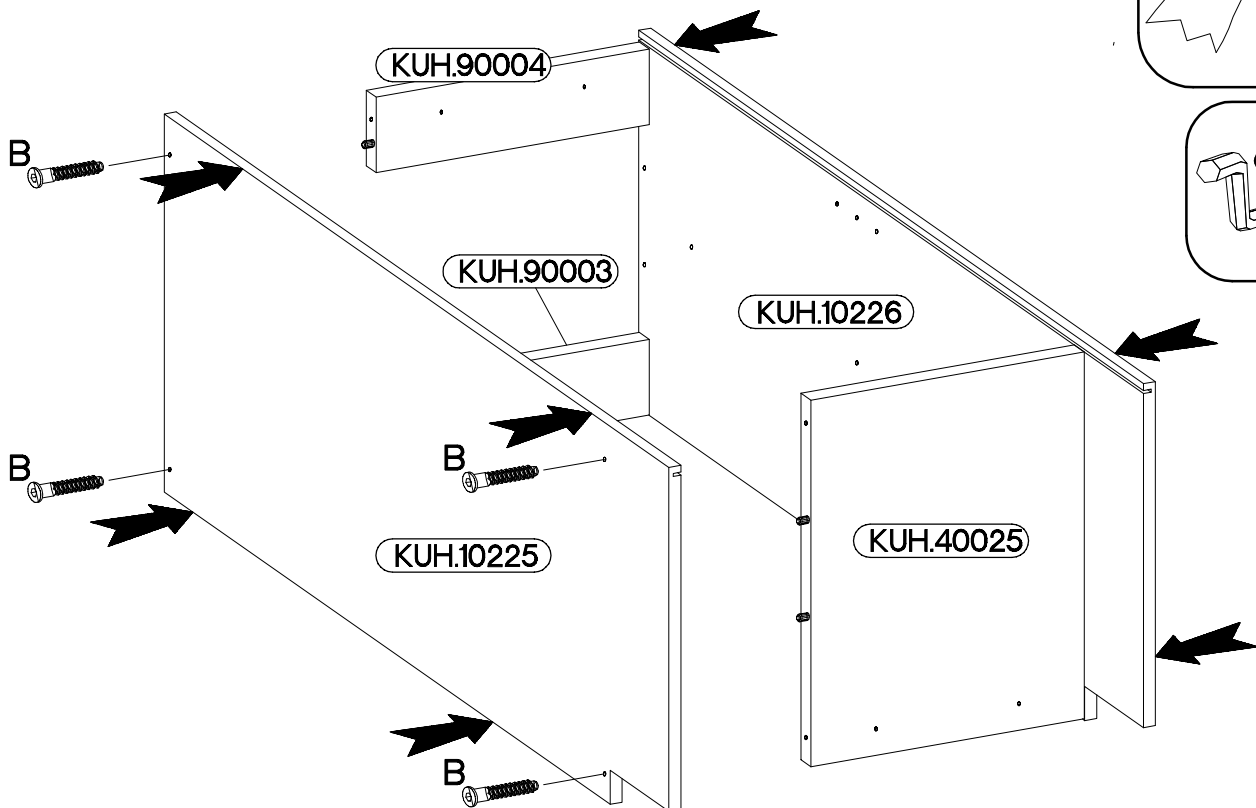
O

1



E1

4



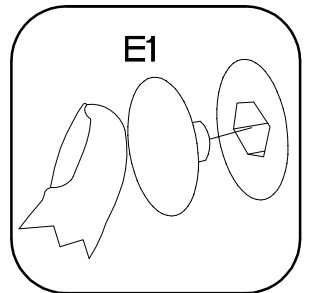
KUH.90004

KUH.90003

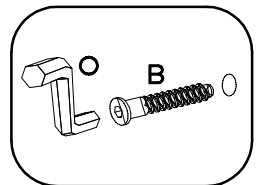
KUH.10226

KUH.10225

KUH.40025



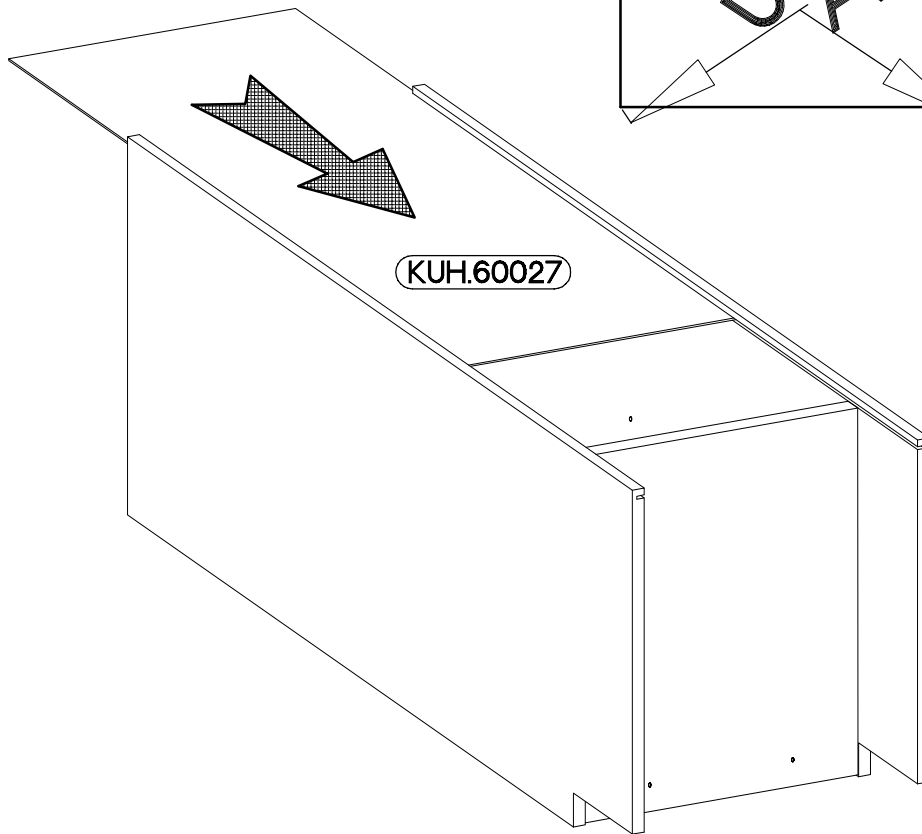
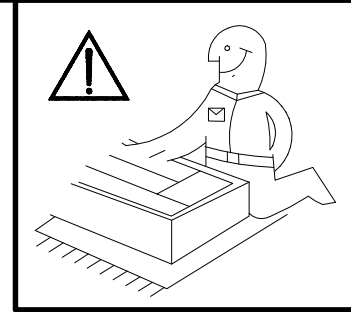
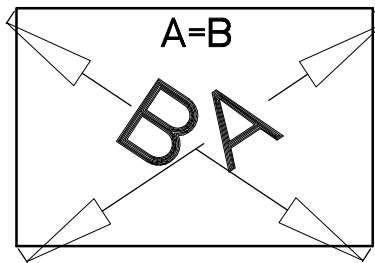
E1



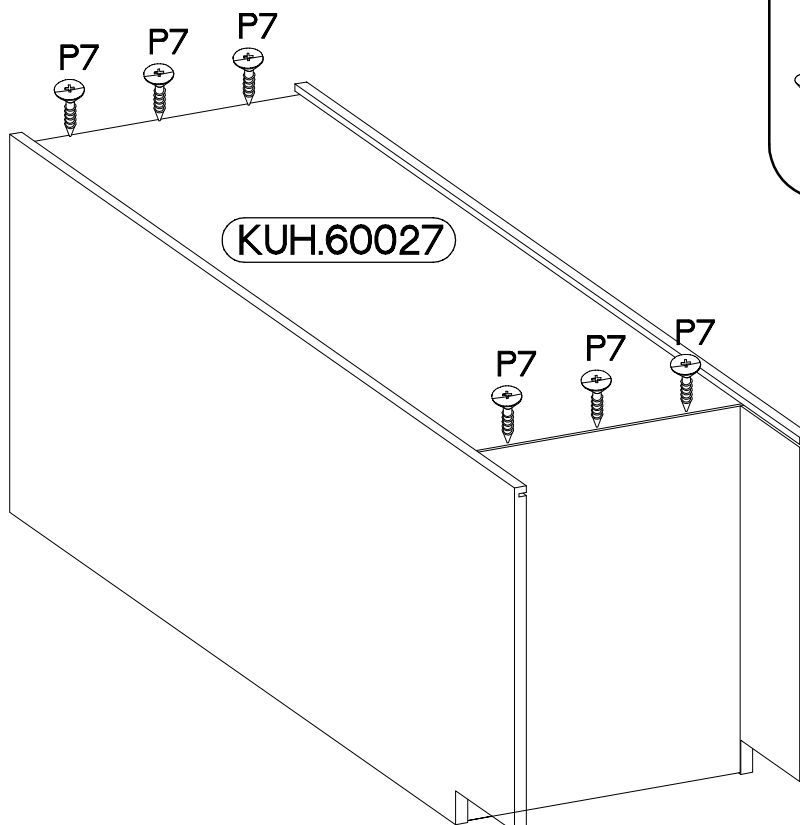
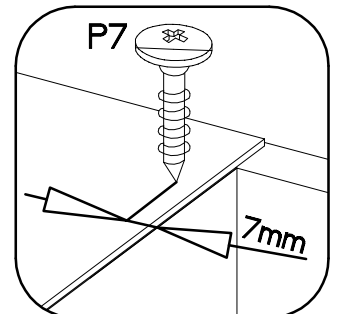
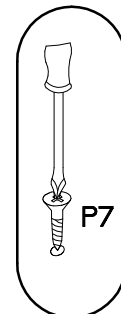
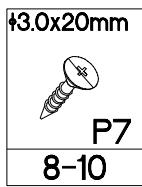
O

B



4

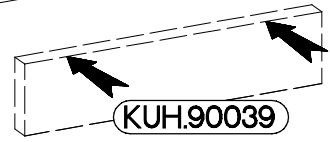
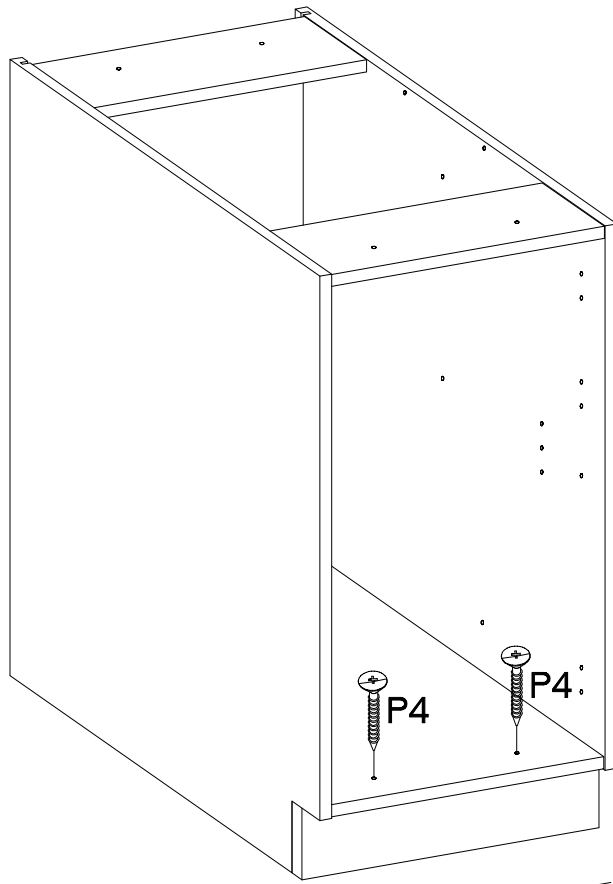
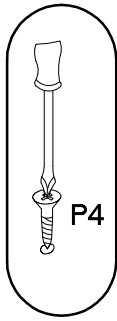
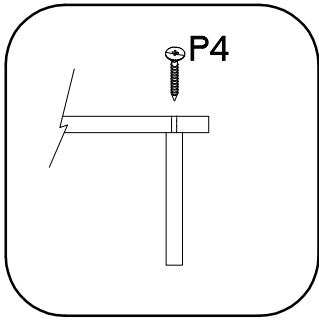


5

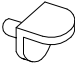


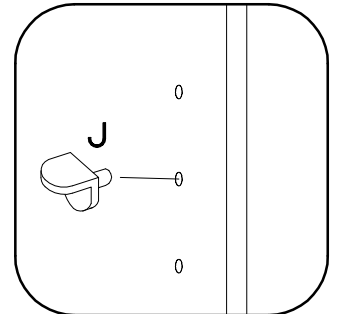
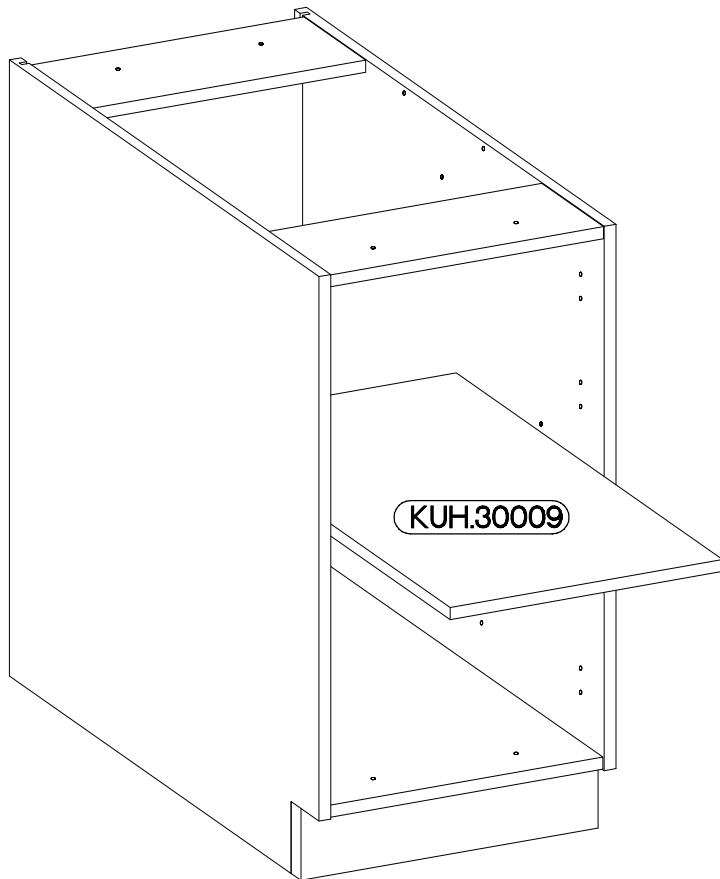
6

±4.0x45mm	
	E9
2	2



7

±5/19mm	
J	
4	



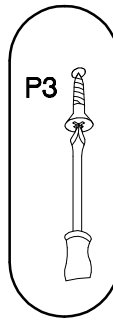
8

4.0x35mm

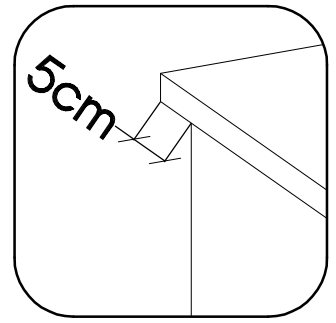


R3

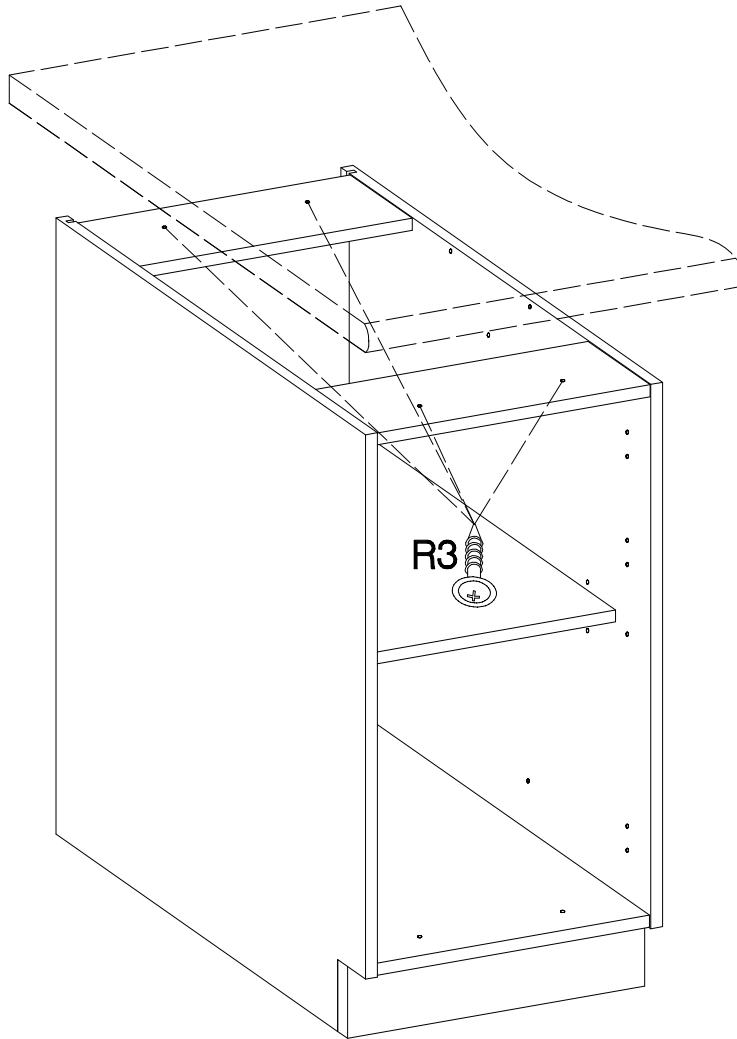
4

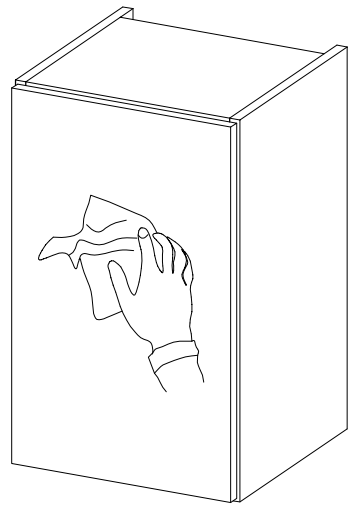
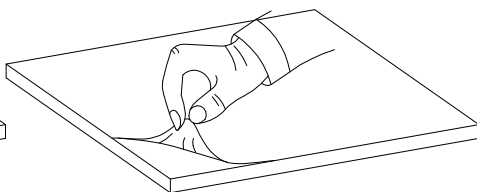
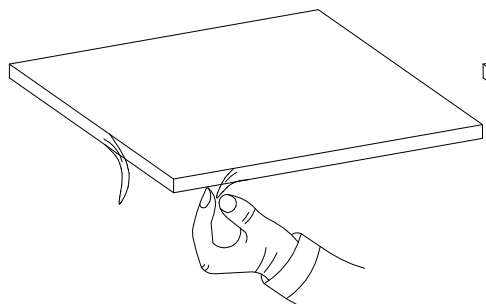
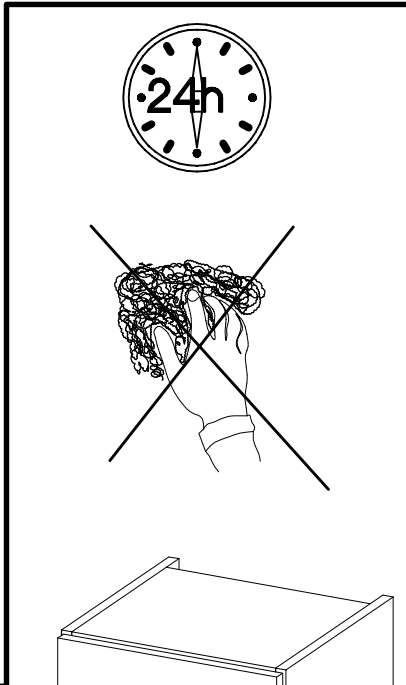
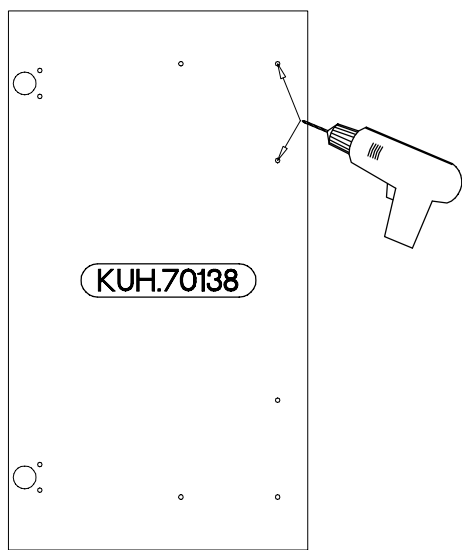
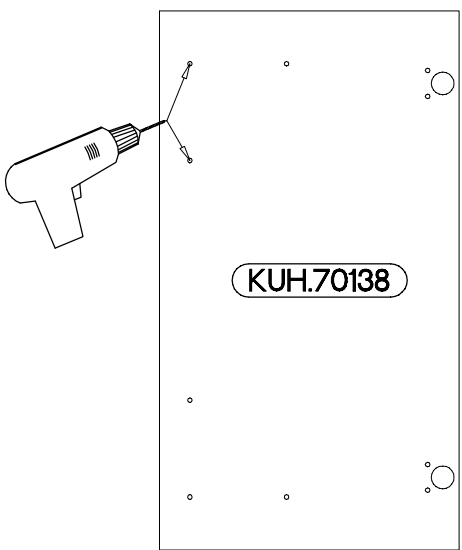
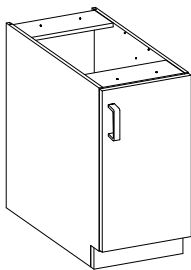
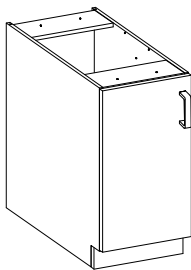
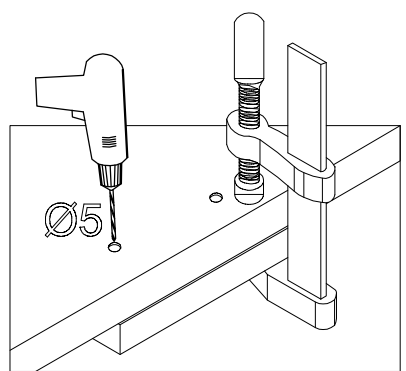
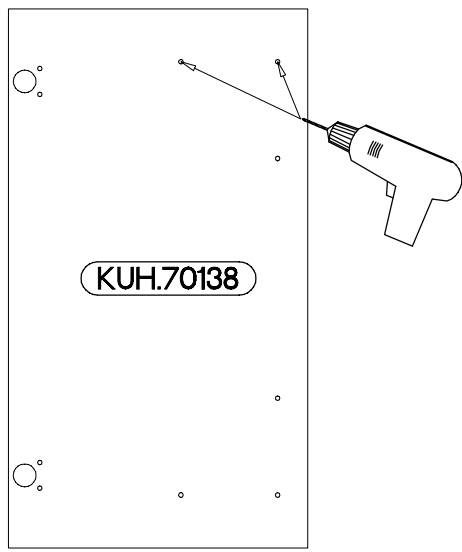
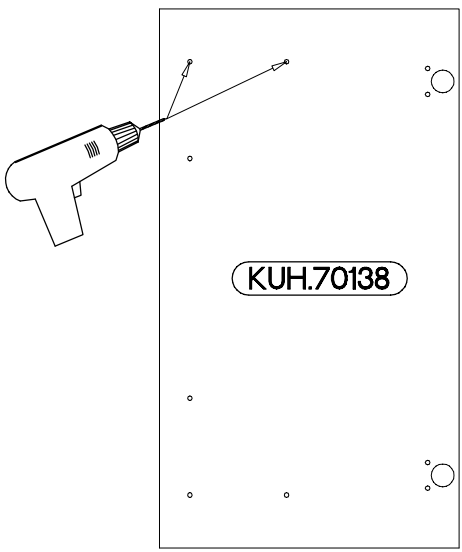
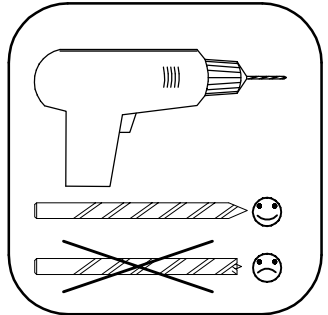
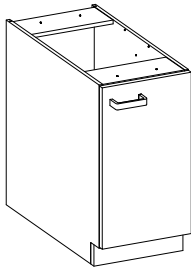
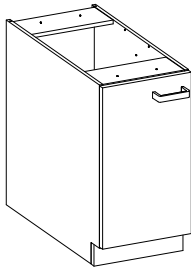



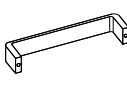
P3



5cm





M4x22mm		
	U	S23
2		1

