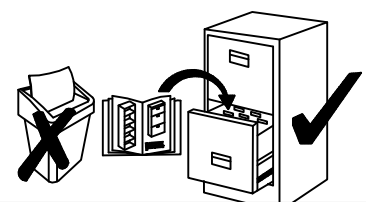


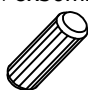


Ersatzteil Nummer	Dimension
KUH.10026 x2	715x290x16
KUH.30007 x2	555x555x16
KUH.40024 x2	555x555x16
KUH.60036	713x460x2,5
KUH.60037	713x460x2,5
KUH.70063	713x396x16
KUH.90036	715x175x16

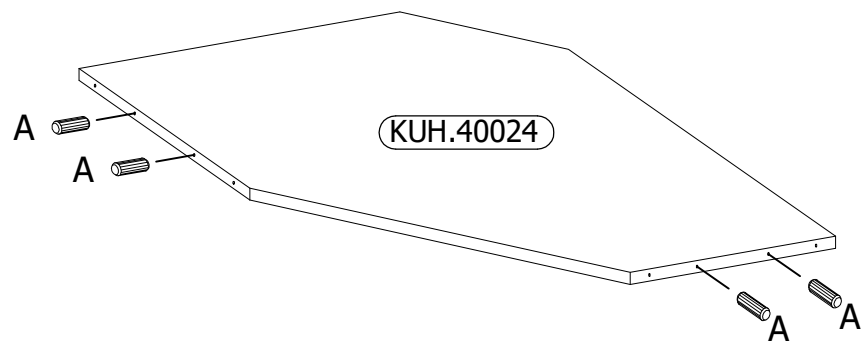
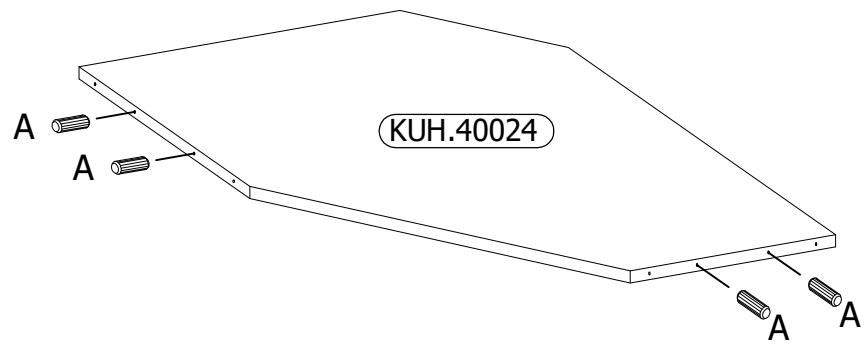
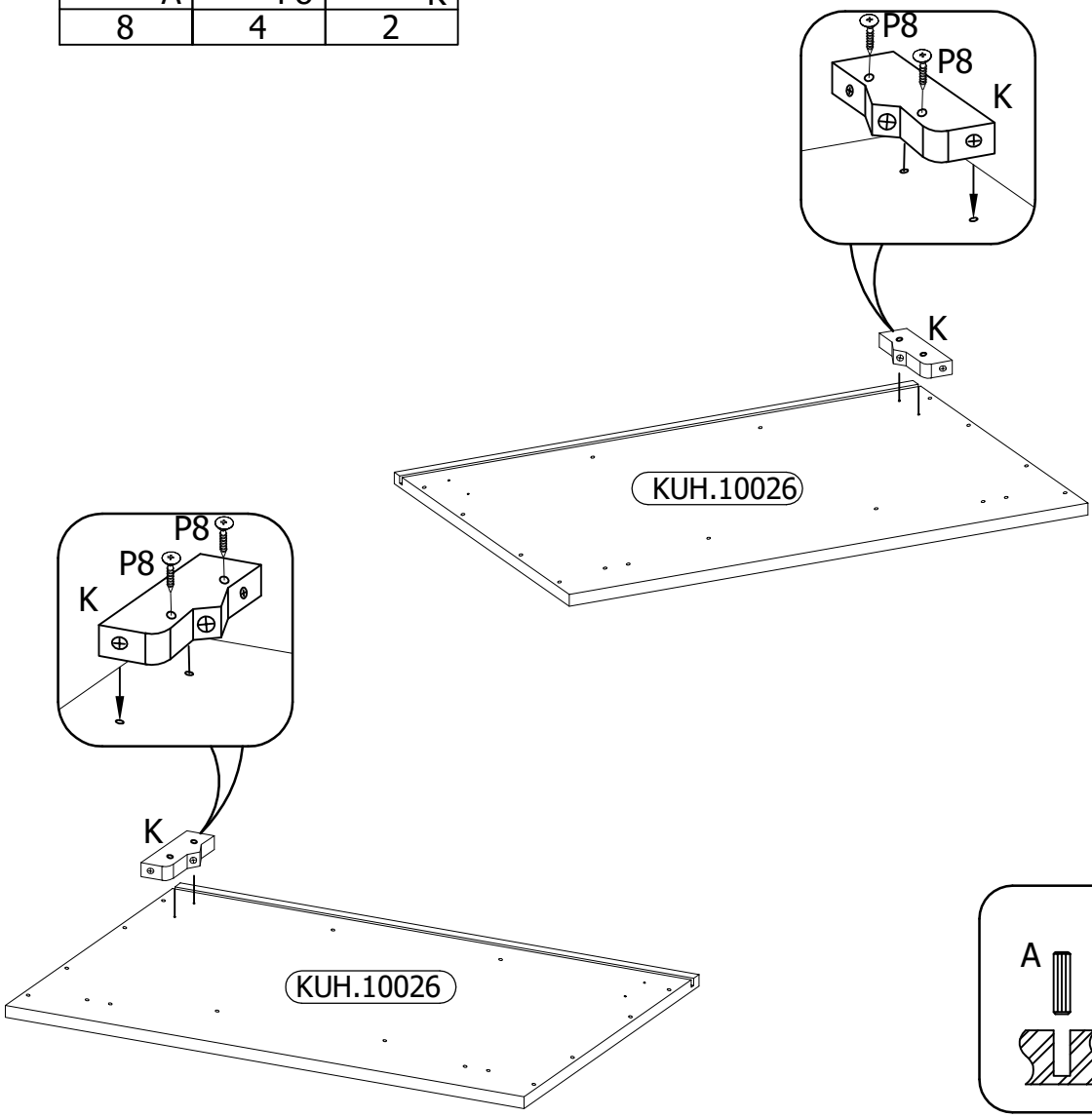
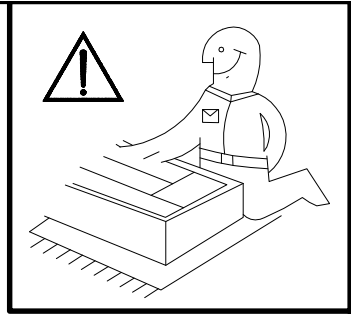
A 8	B 10	E1 8	G7 2	R2 2	S 1	
H 2	J 10	K 2	O 1	P5 4	P7 20-25	P8 4



ISM-KUH-01392

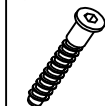
# 1

 A	 P8	 K
8	4	2



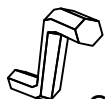
2

6,4 x 50mm



B

4



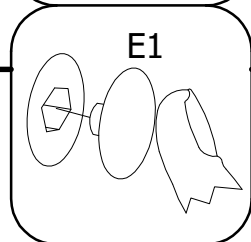
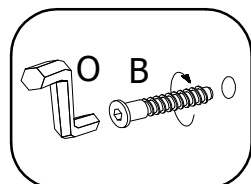
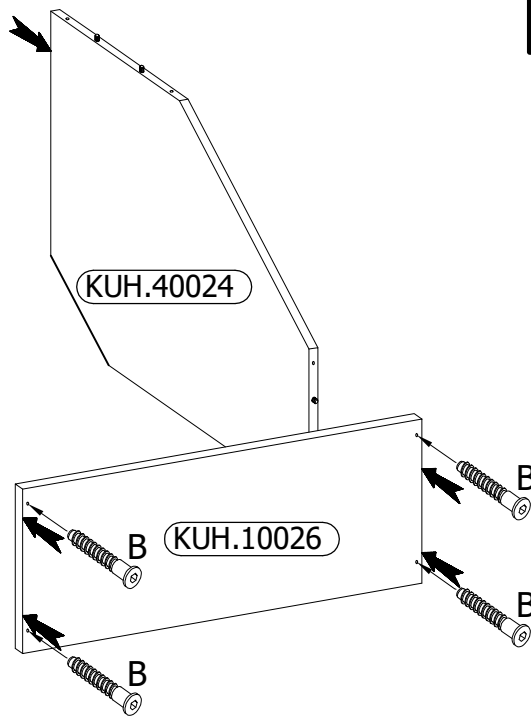
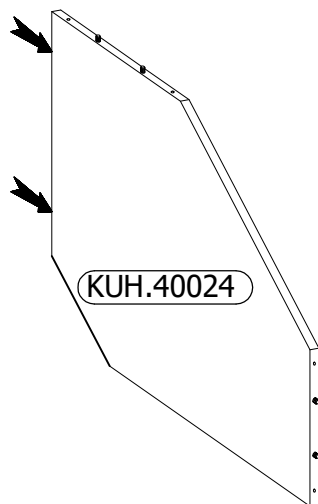
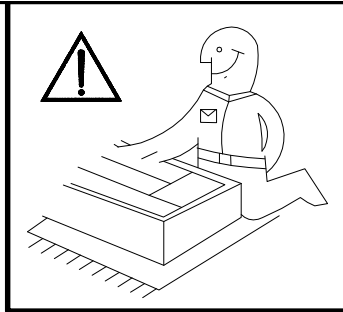
O

1

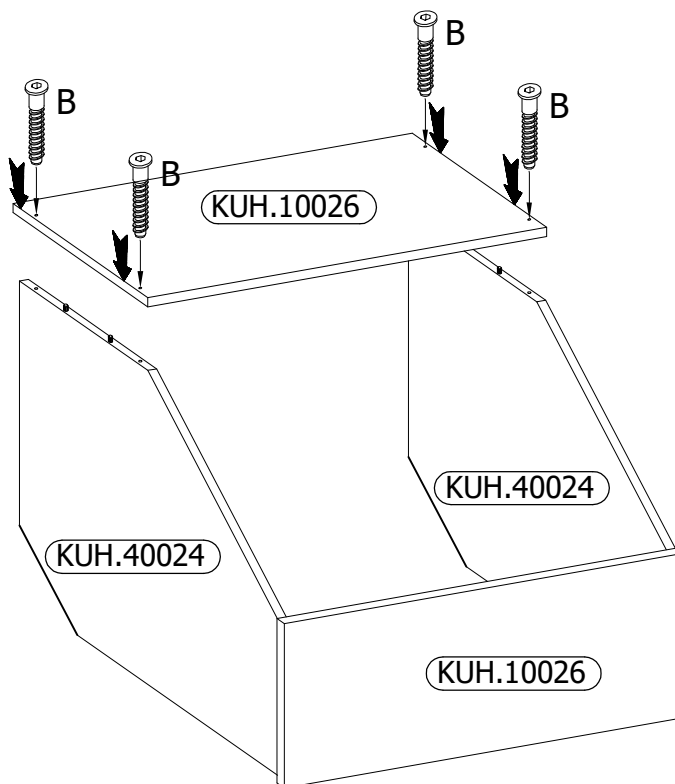


E1

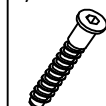
4



3

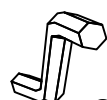


6,4 x 50mm



B

4



O

1



E1

4

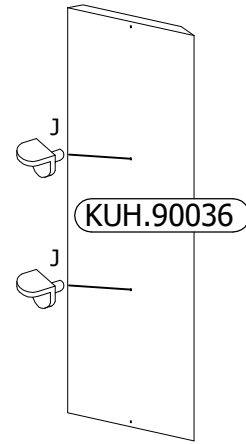
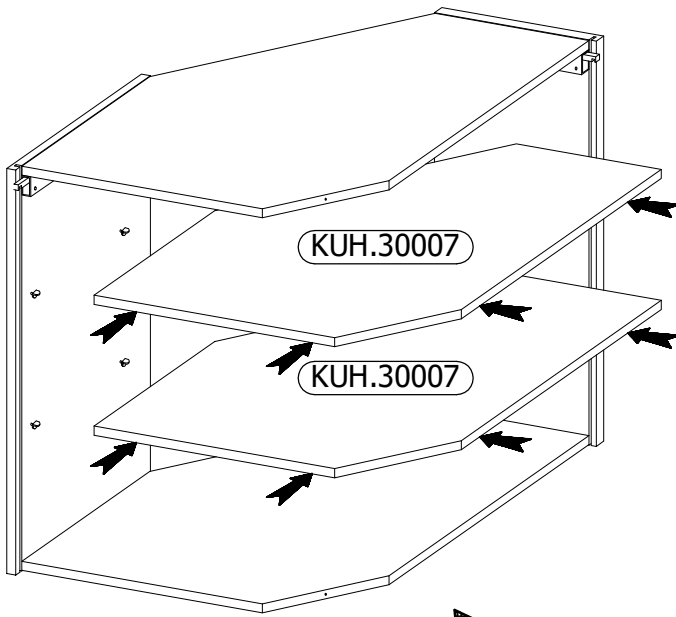
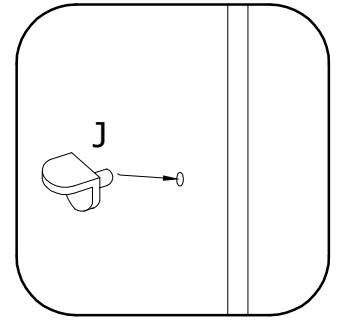
4

∅5/19mm



J

10



5

6,4 x 50mm



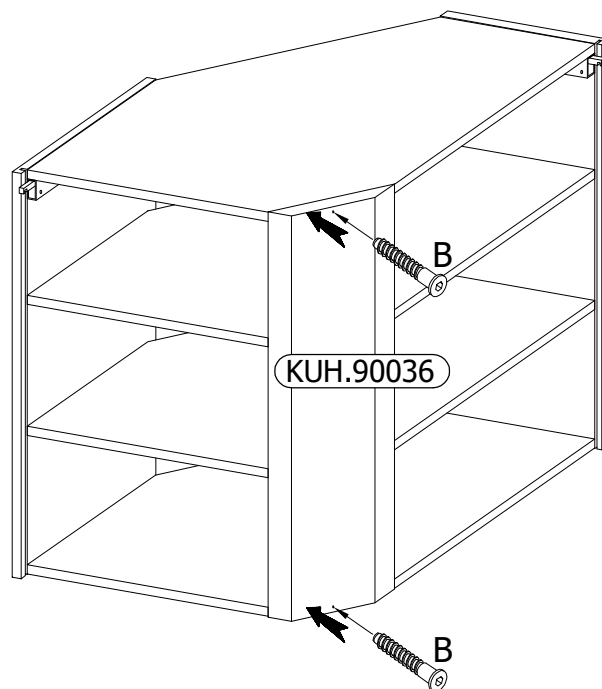
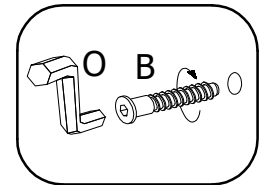
B

2



O

1



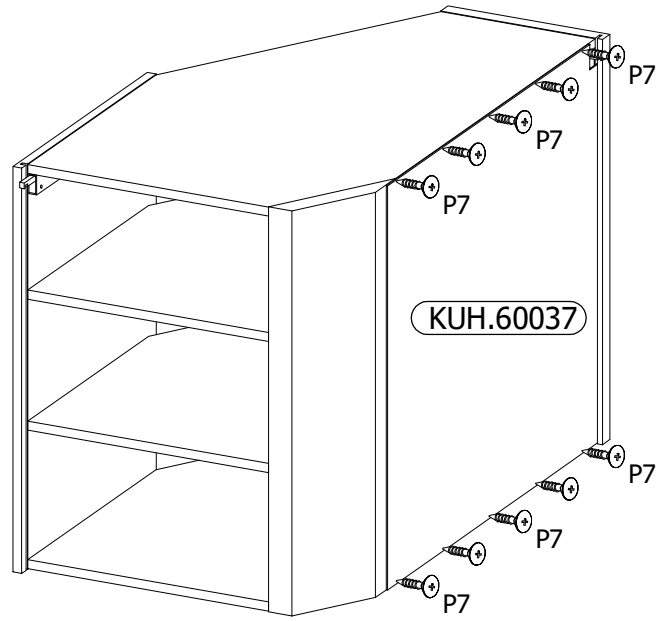
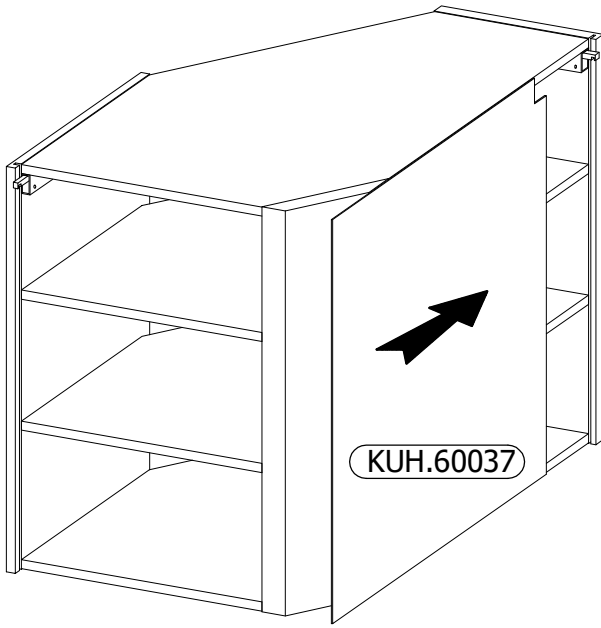
6

∅3.0x20mm



P7

10-13



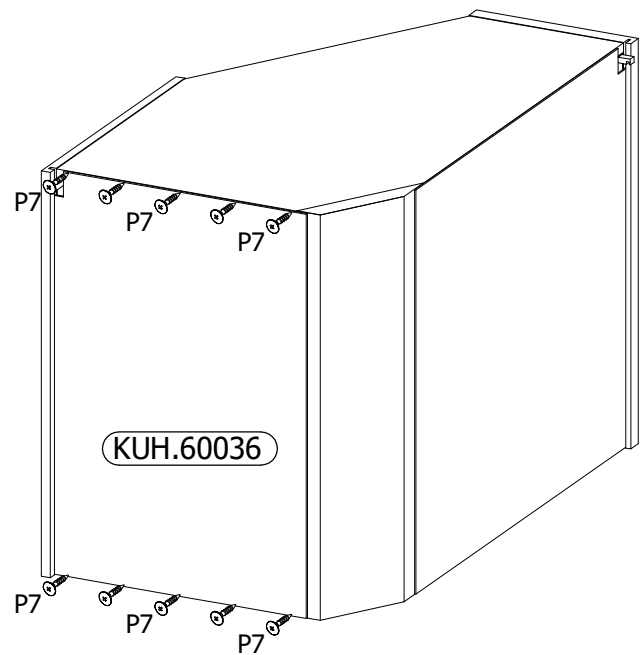
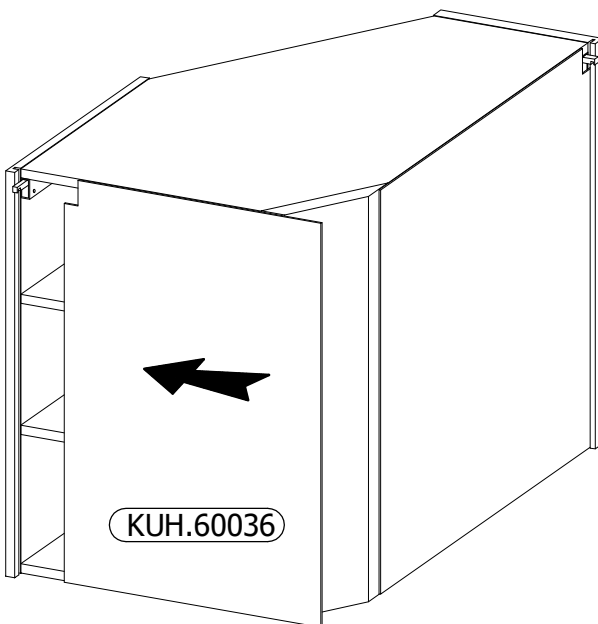
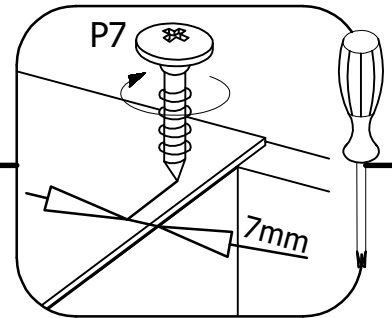
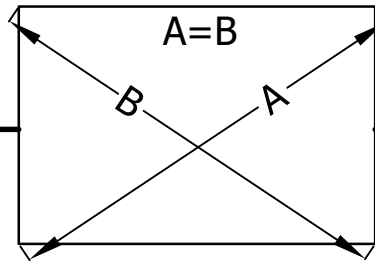
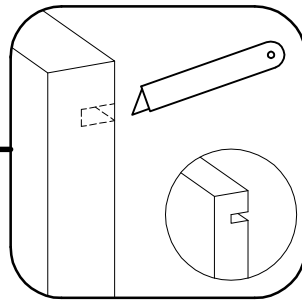
7

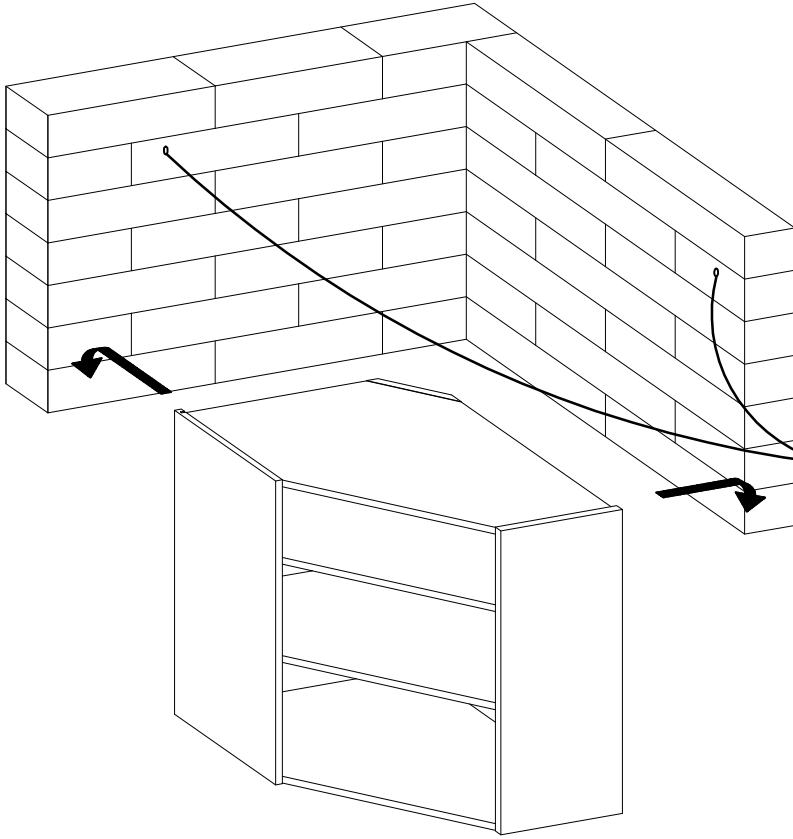
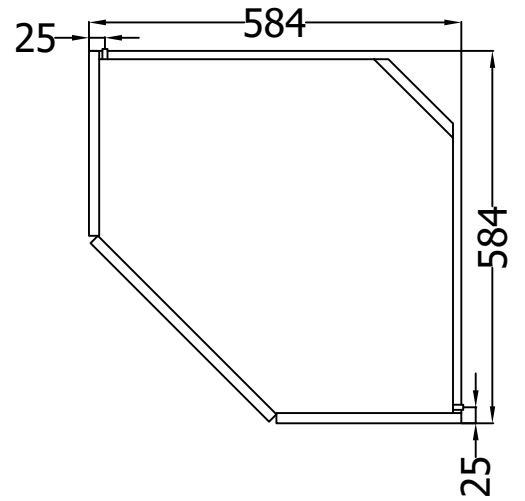
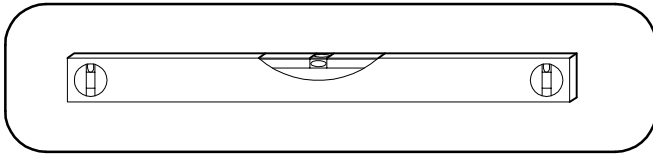
∅3.0x20mm



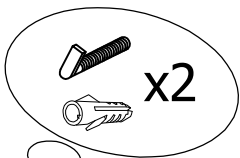
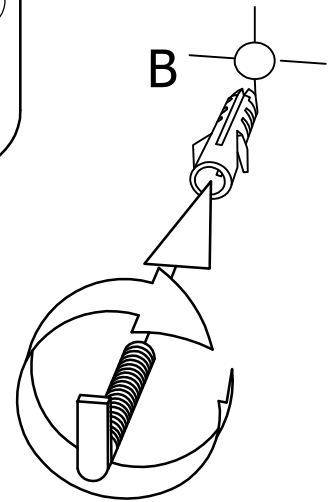
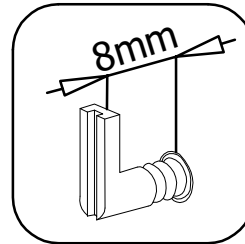
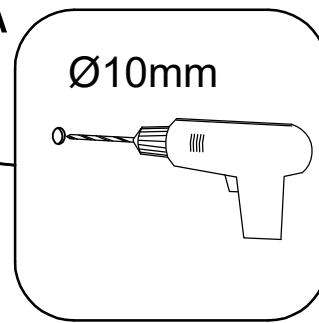
P7

10-13

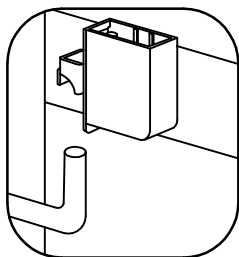




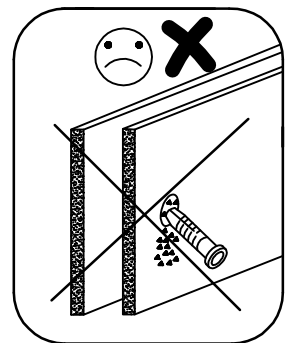
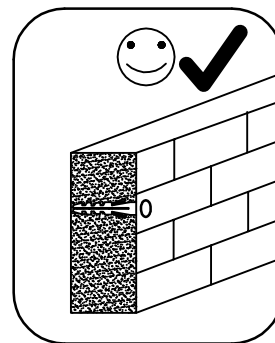
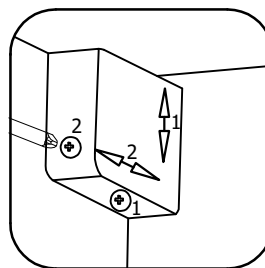
A



C

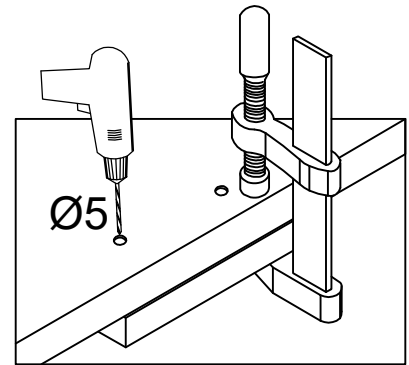
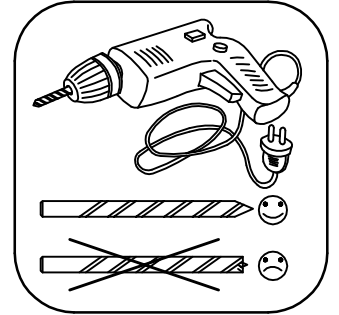
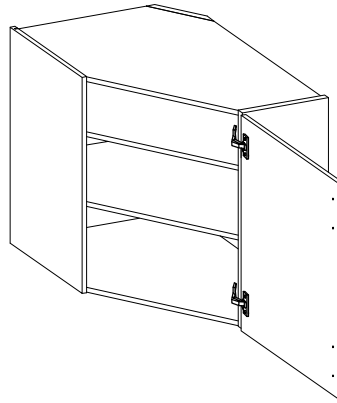
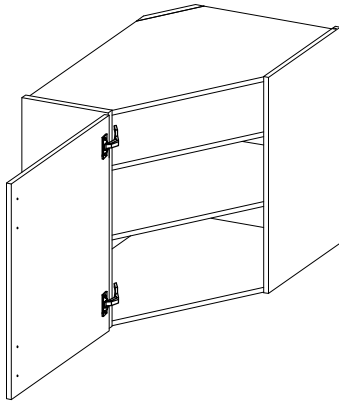
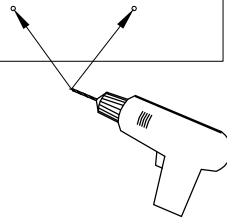
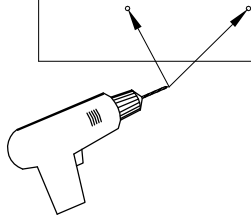
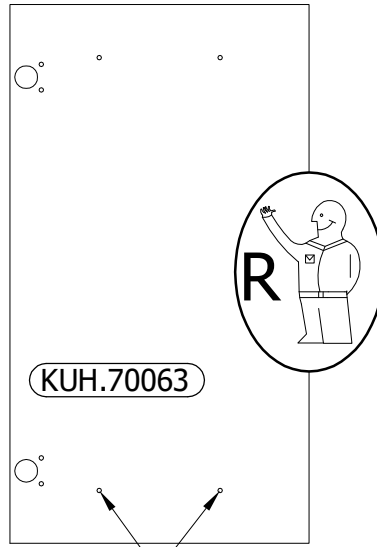
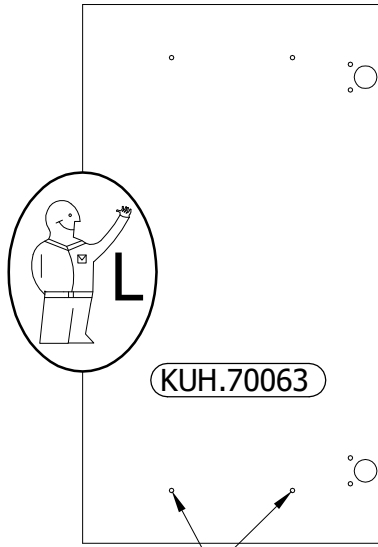



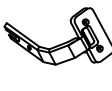

D

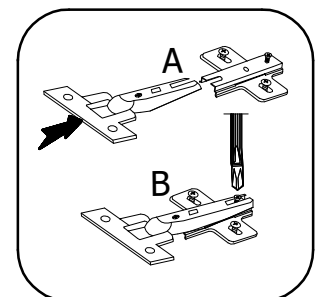
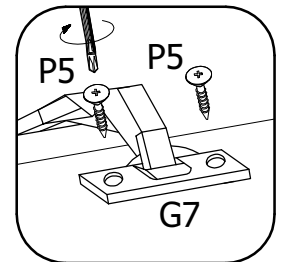
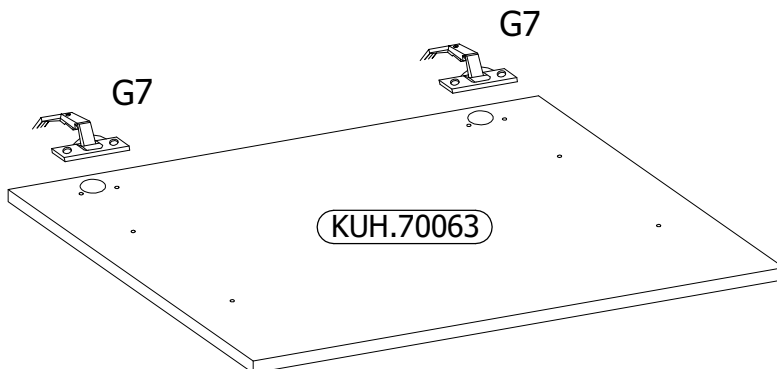




LEFT

RIGHT



		 $\varnothing 3.5 \times 13 \text{mm}$
H	G7	P5
2	2	4



∅4.0x30mm	
	
R2	S
2	1

