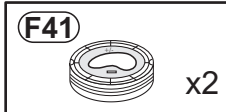
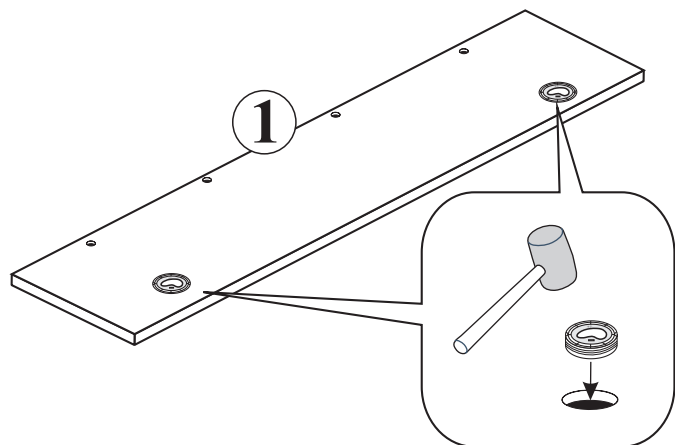
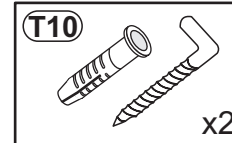
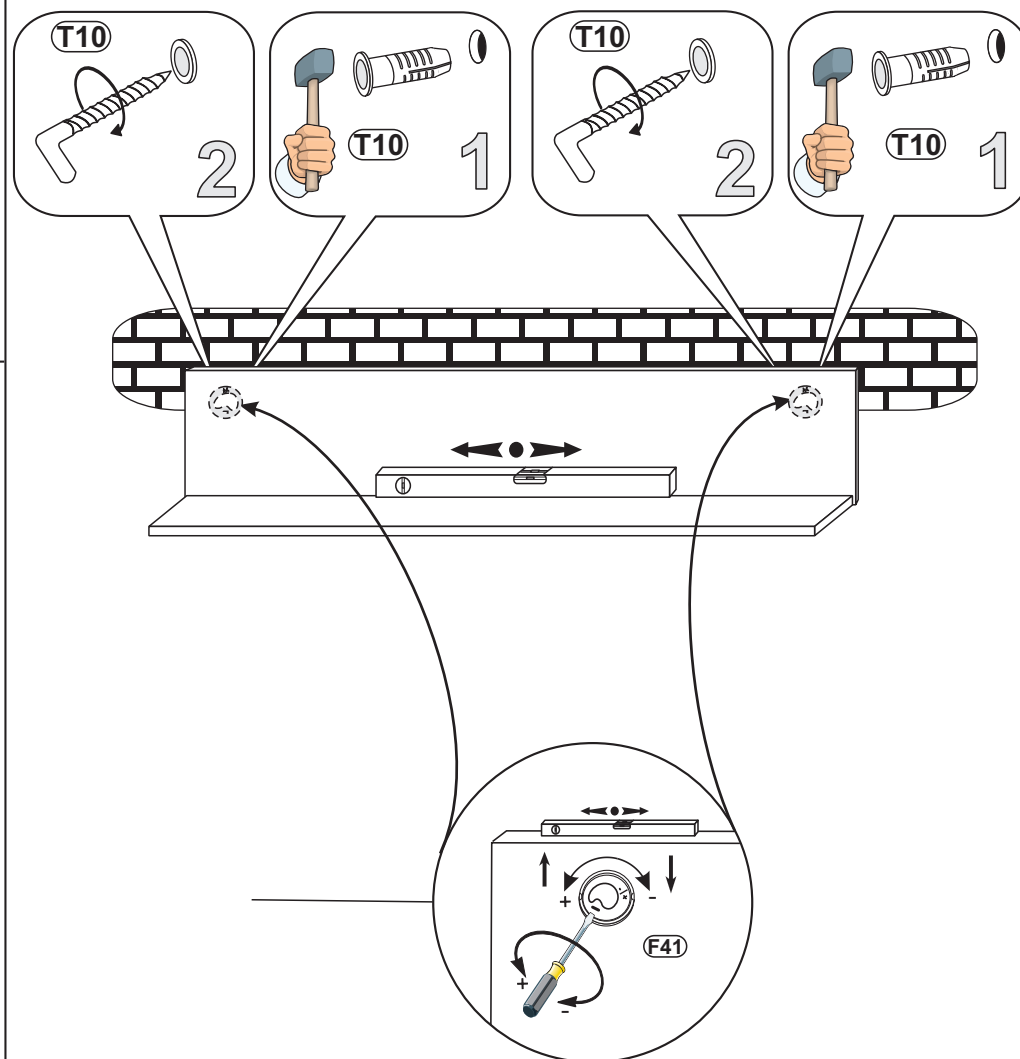


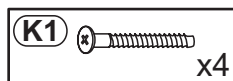
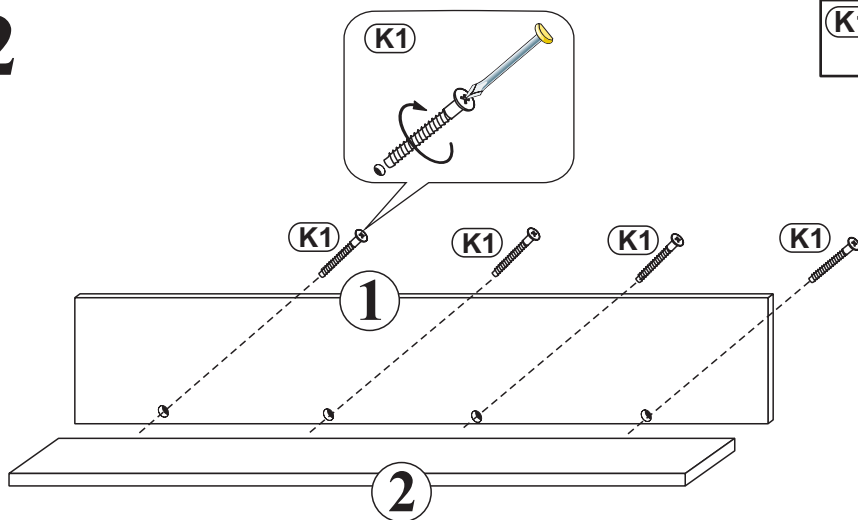
1

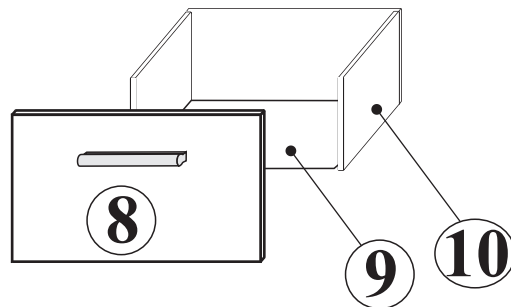
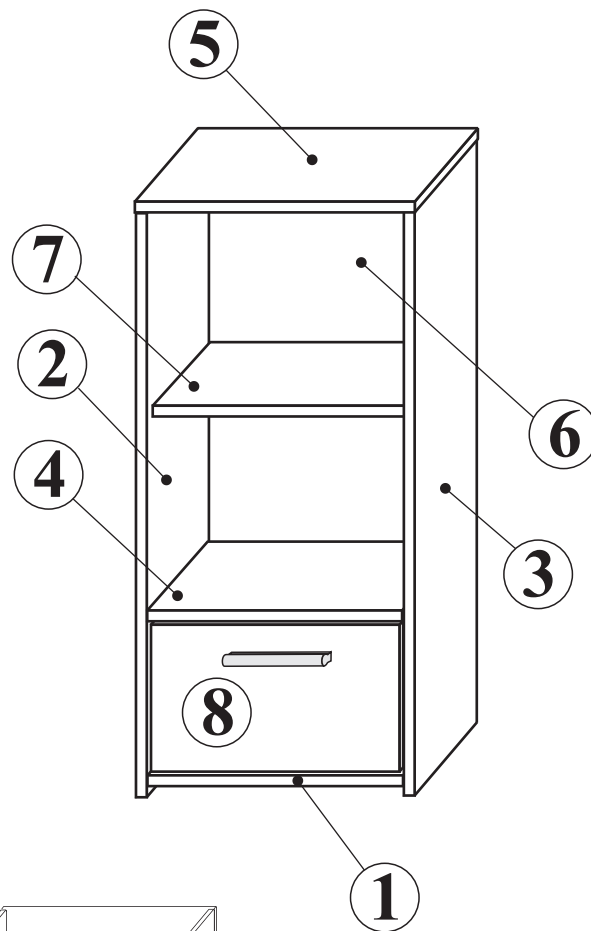
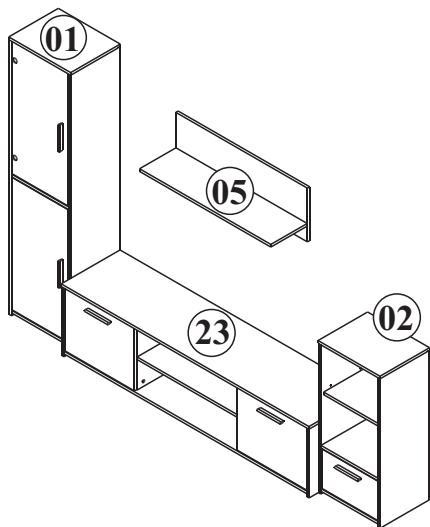


3



2





NR 1

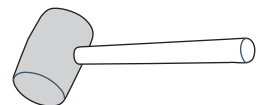
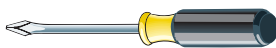
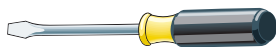
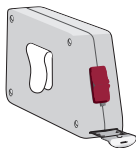
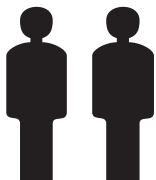
- B1** 8x28 x12
- M1** x12
- T1** x12
- W1** x4
- C2** x12
- J23** x8
- P3** 3x20 x3
- L1** x1

NR 2

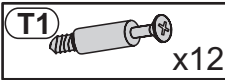
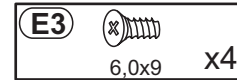
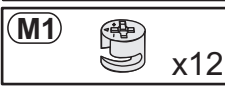
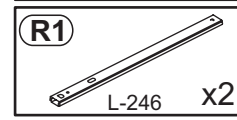
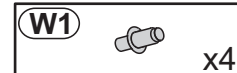
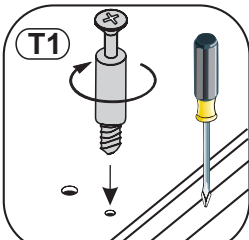
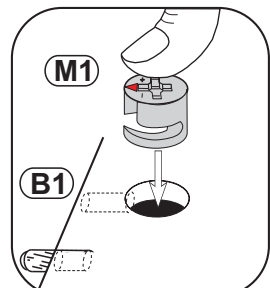
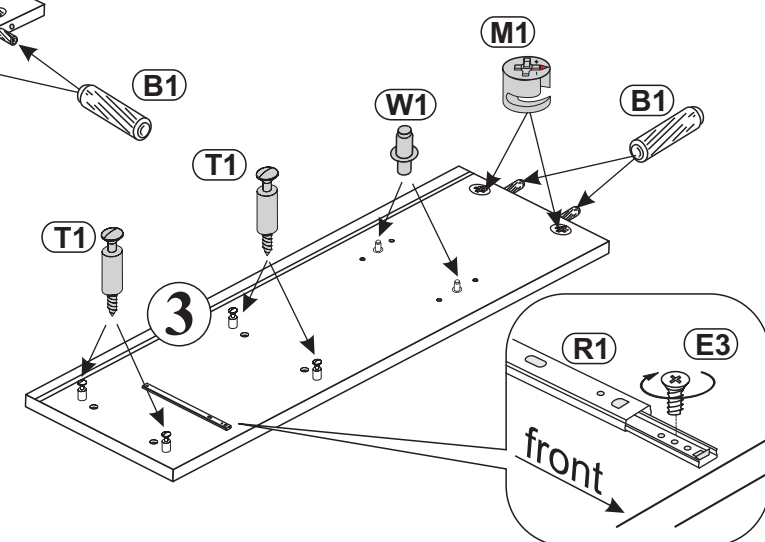
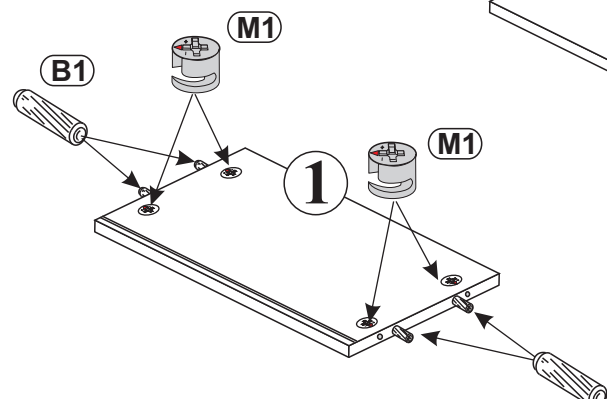
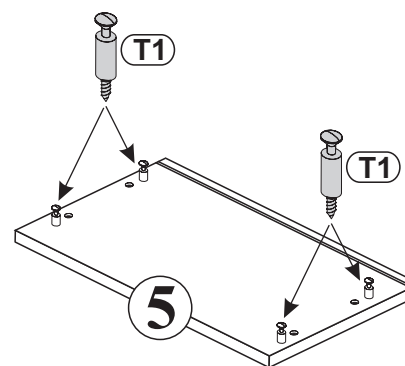
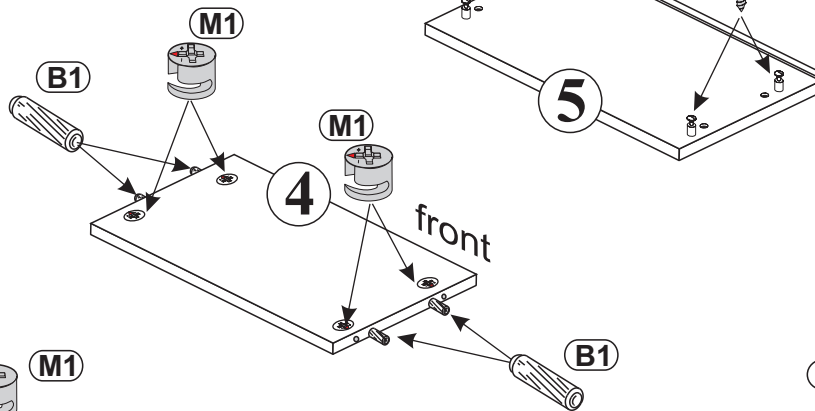
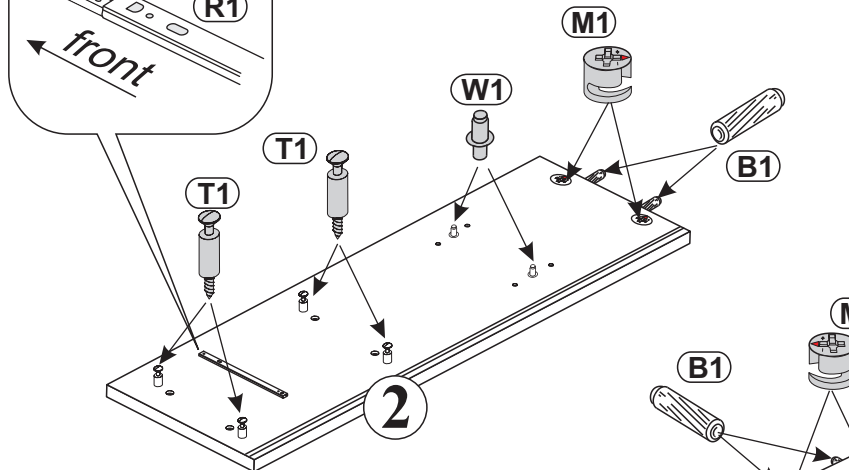
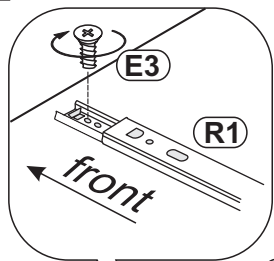
- U34** x1
- P5** Ø 4x30mm x2

NR 3

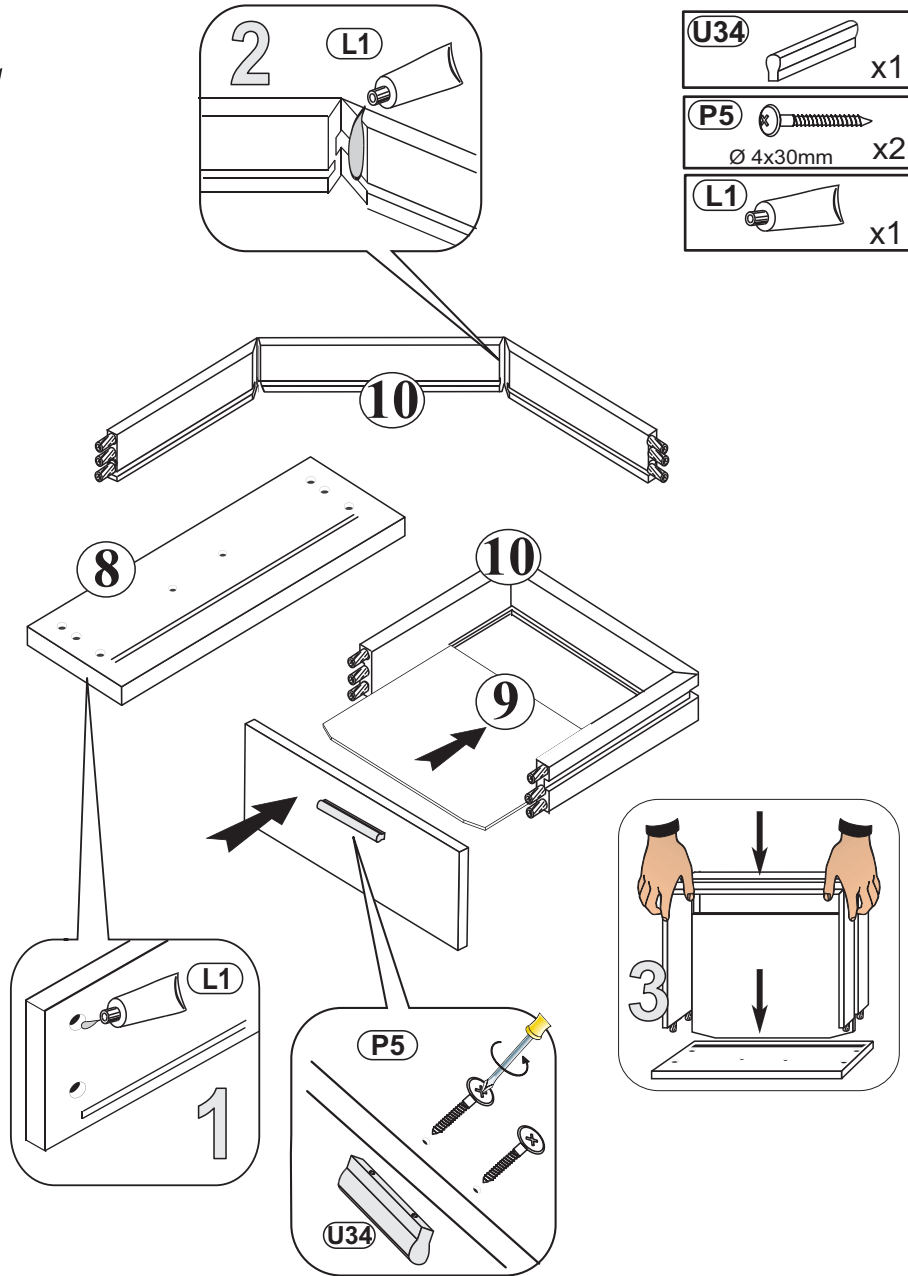
- R1** L-246 x2
- A1** M4x9 x2
- E3** 6,0x9 x4



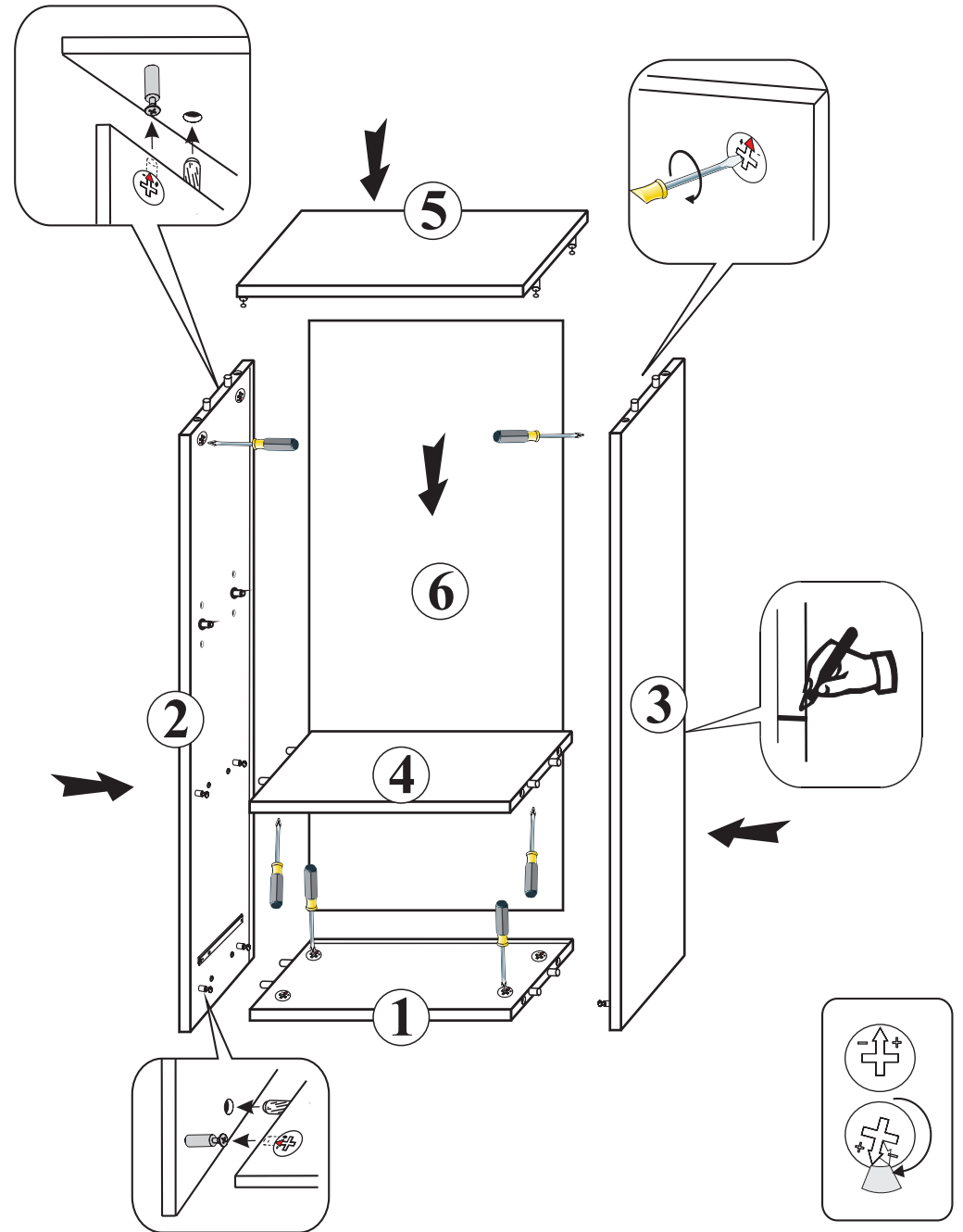
1



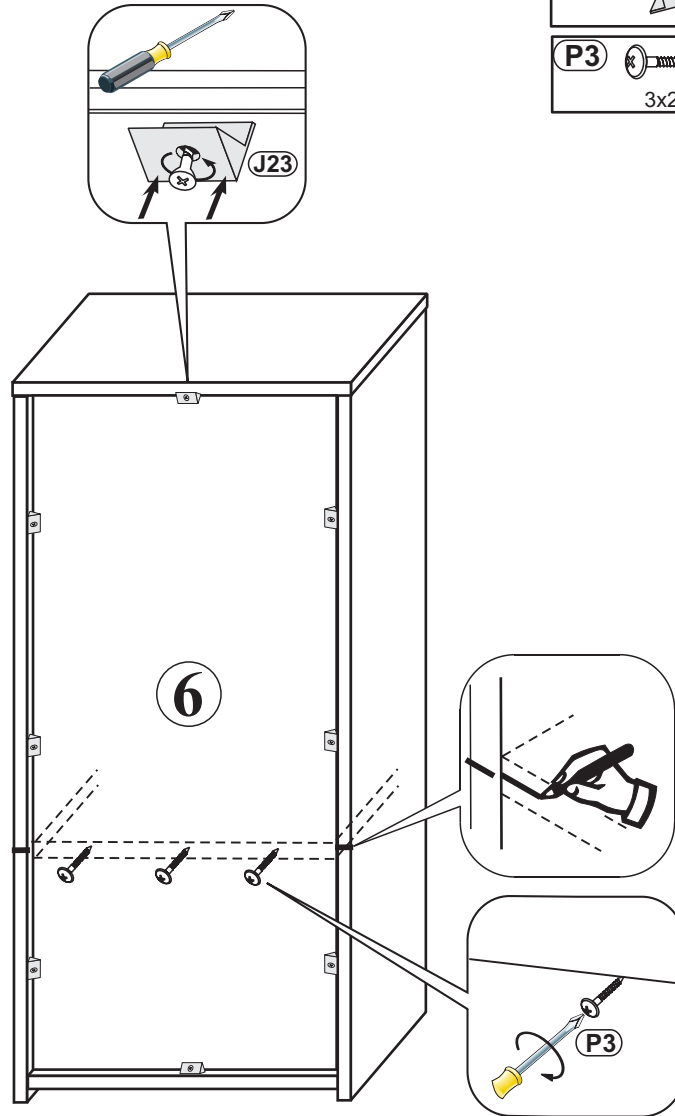
2



3

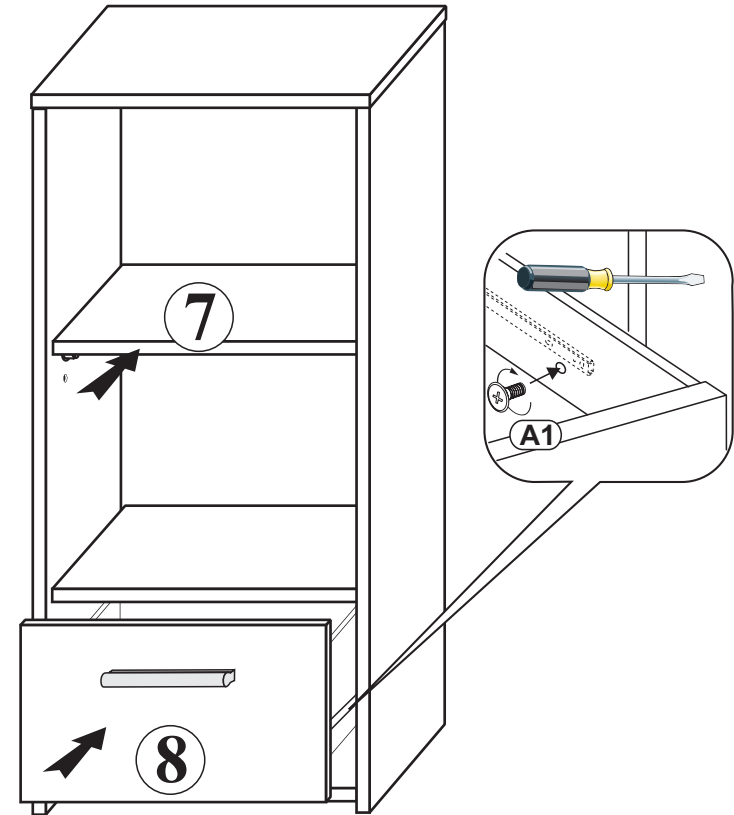


4

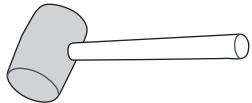
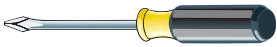
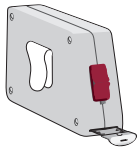
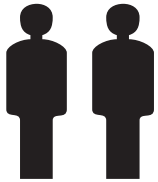
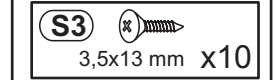
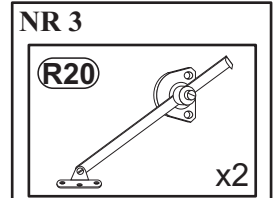
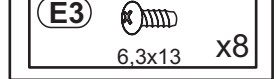
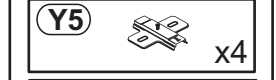
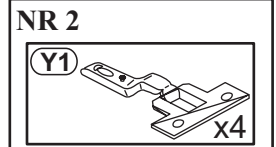
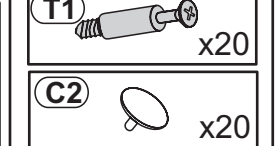
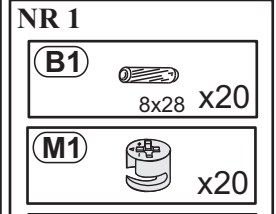
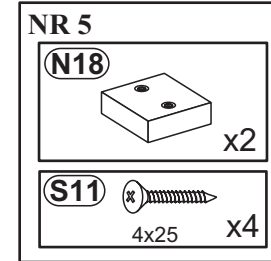
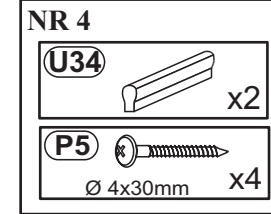
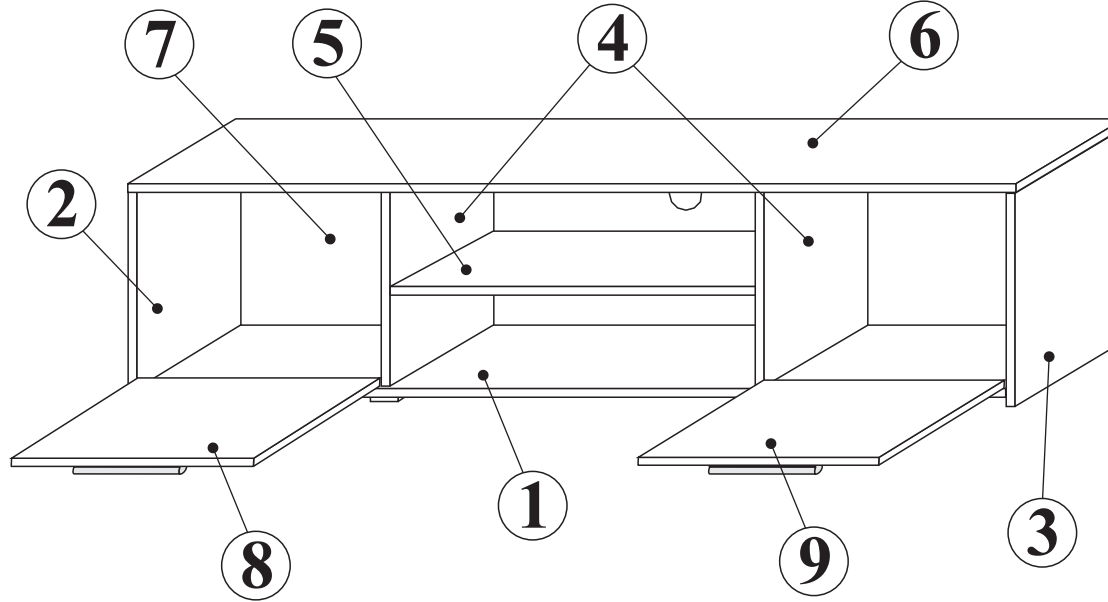
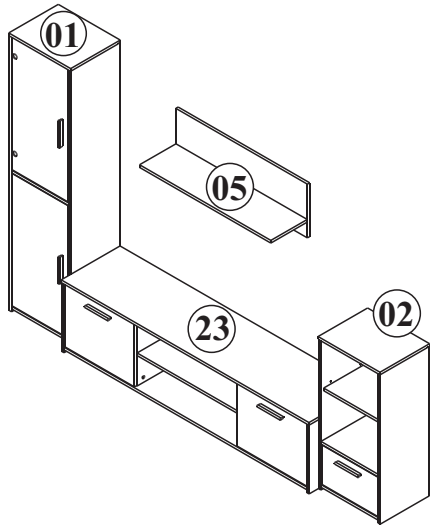


- J23 x8
- P3 3x20 x3

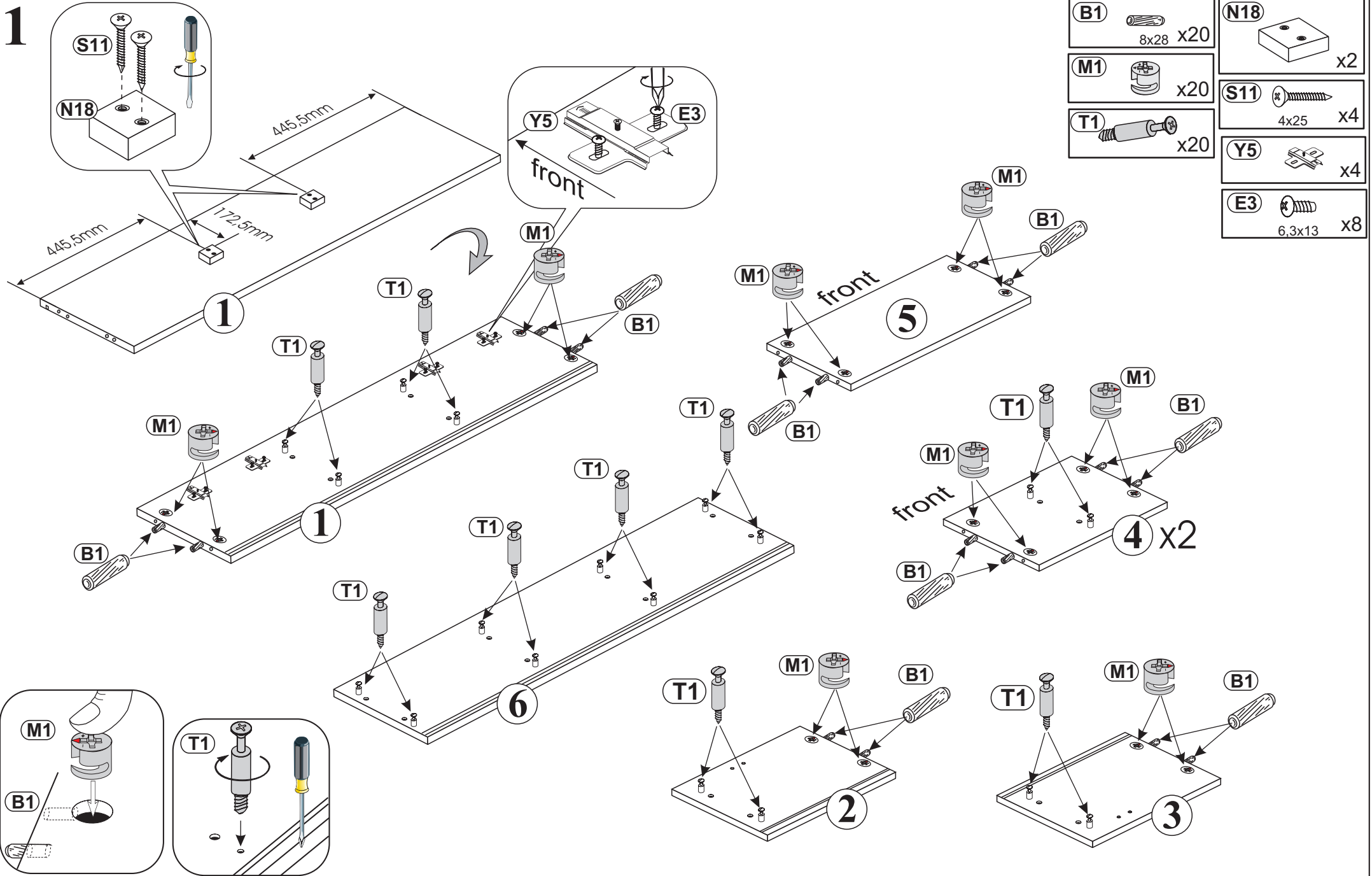
5



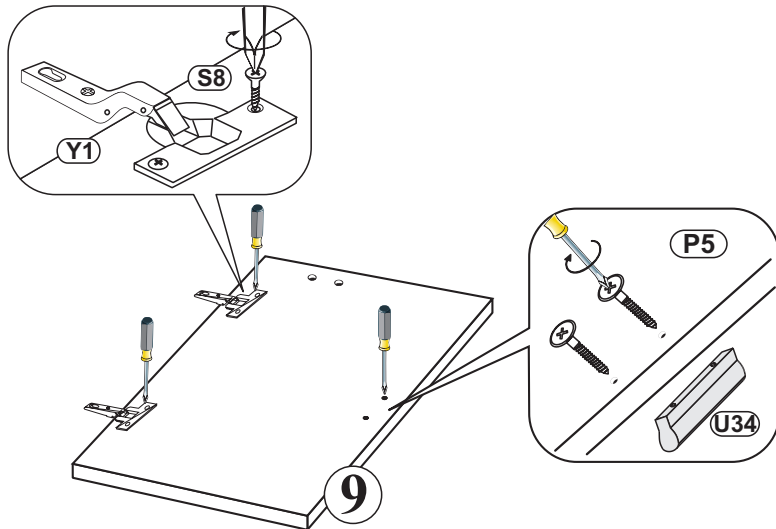
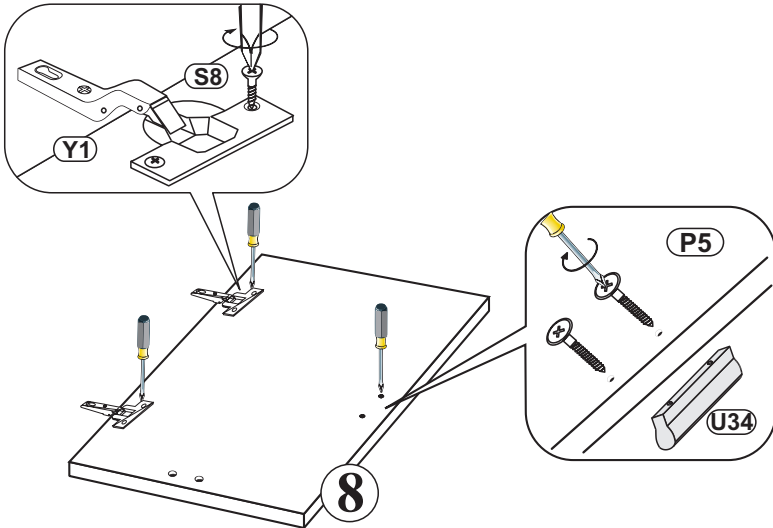
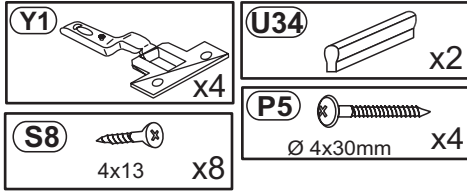
- A1 M4x9 x2



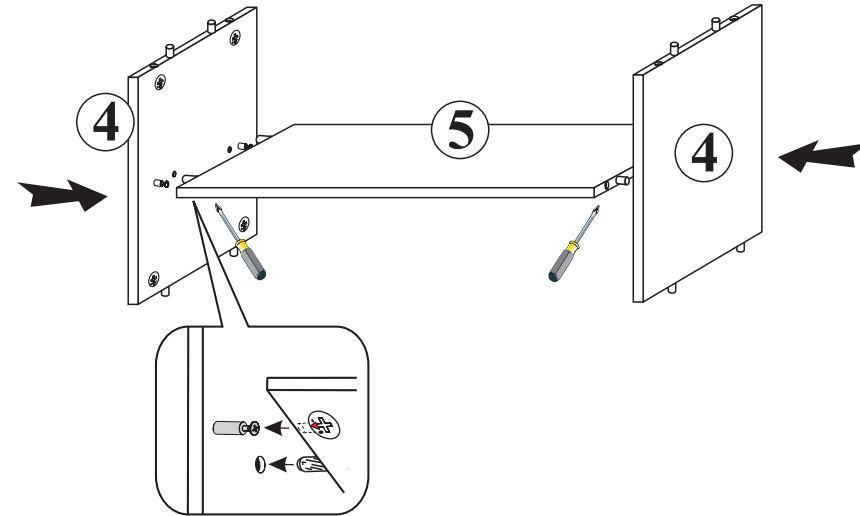
1



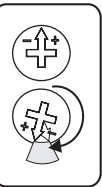
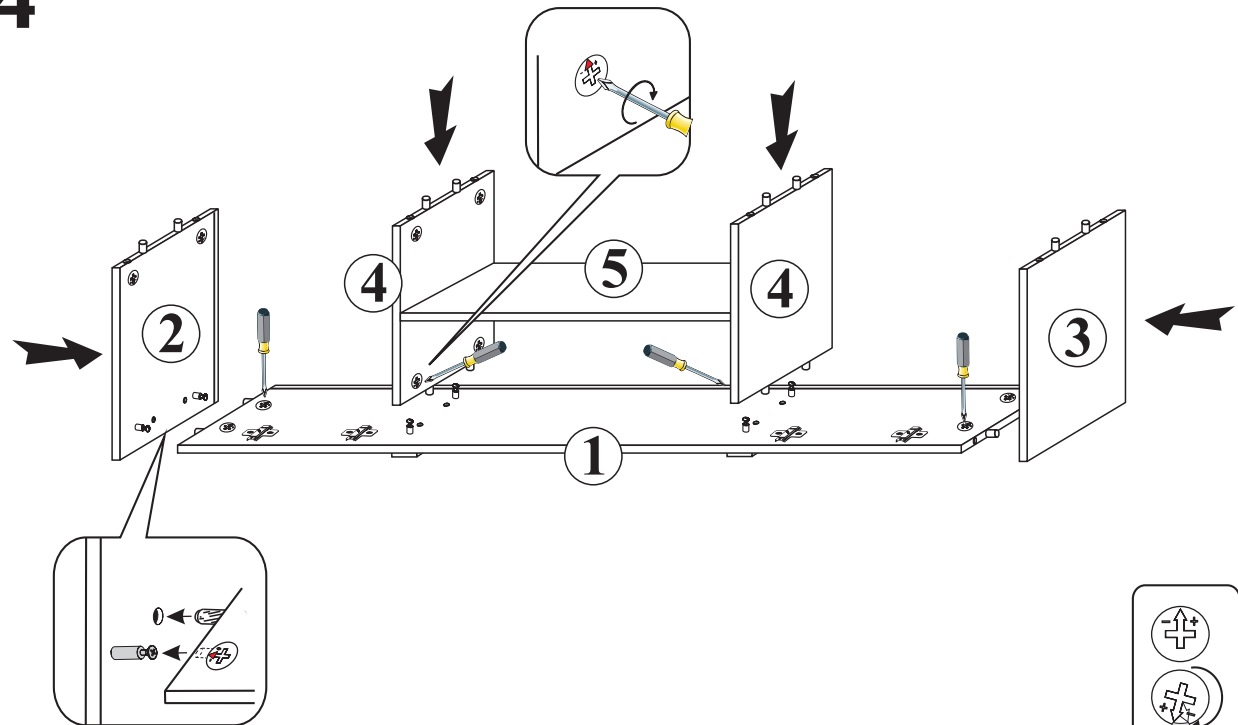
2

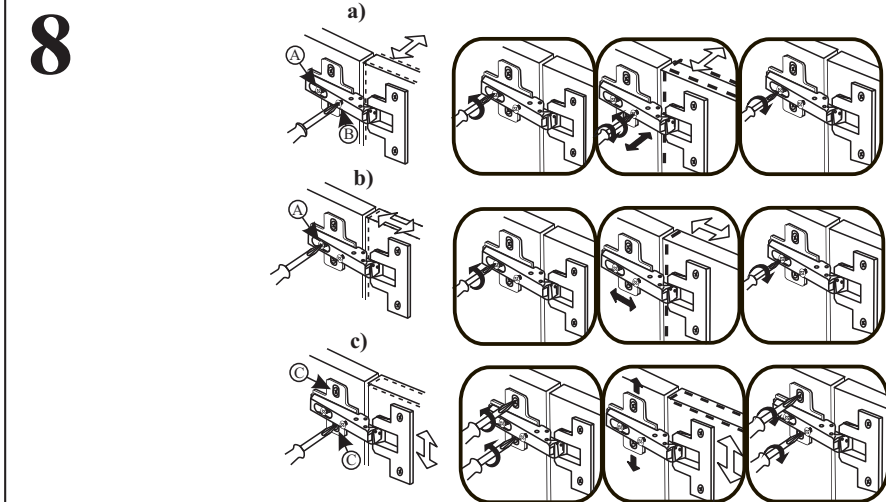
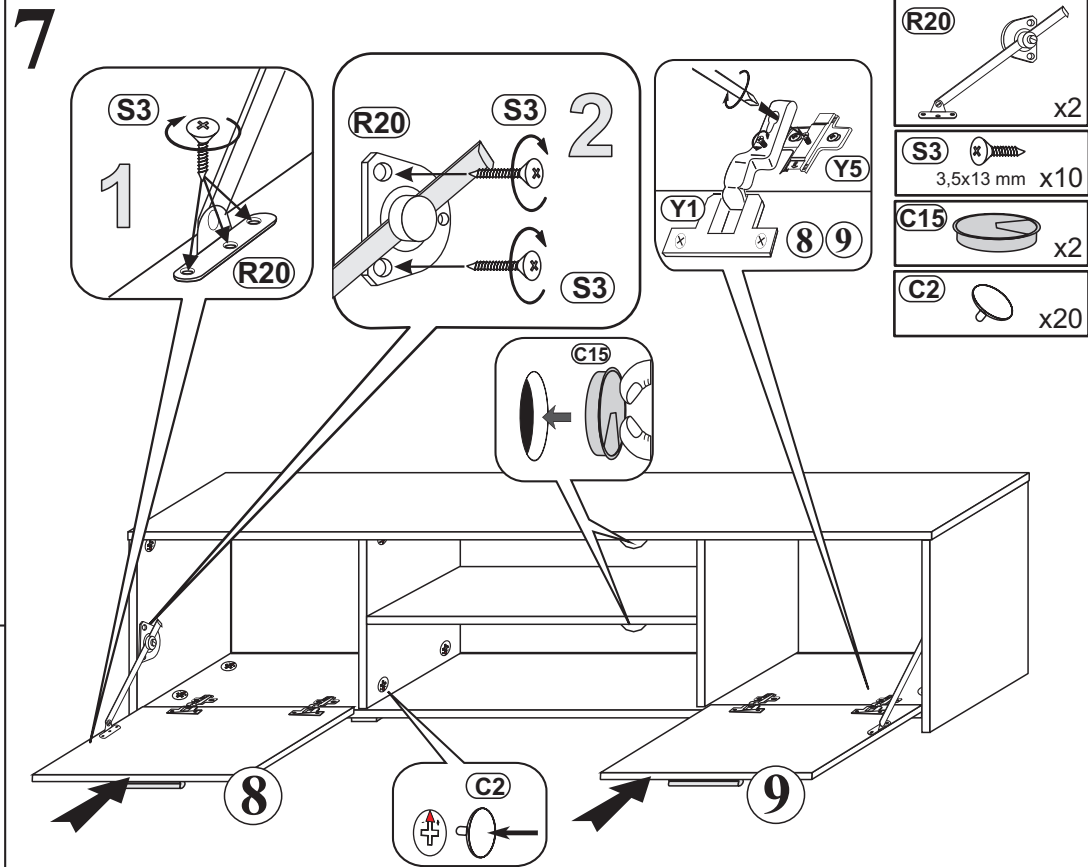
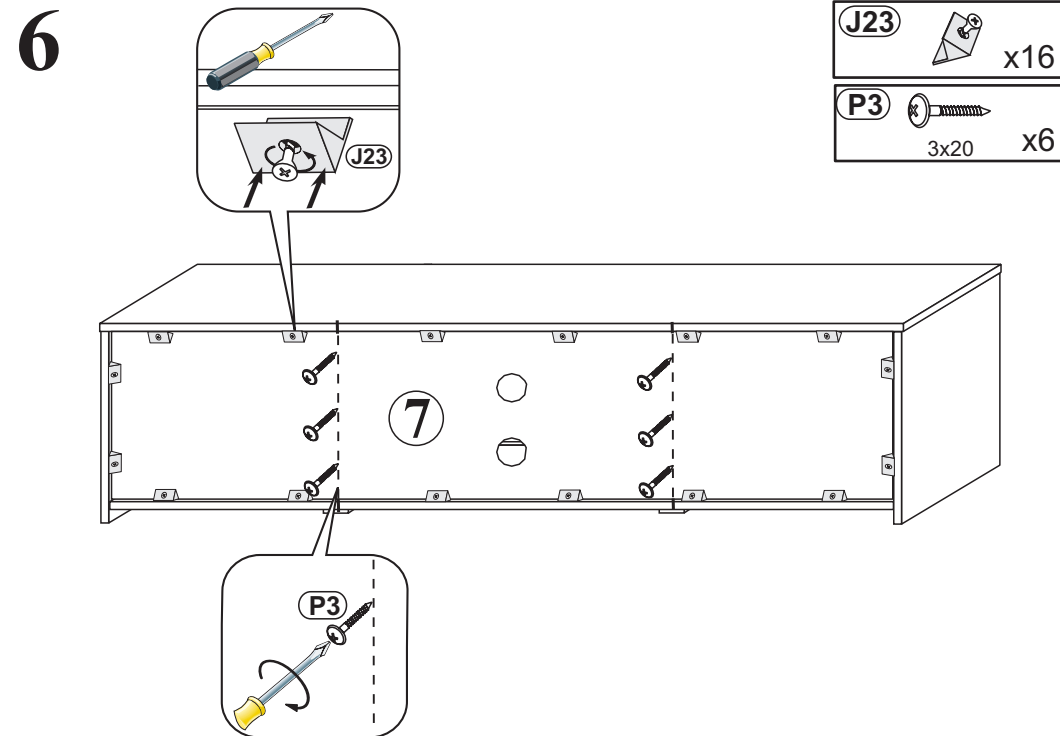
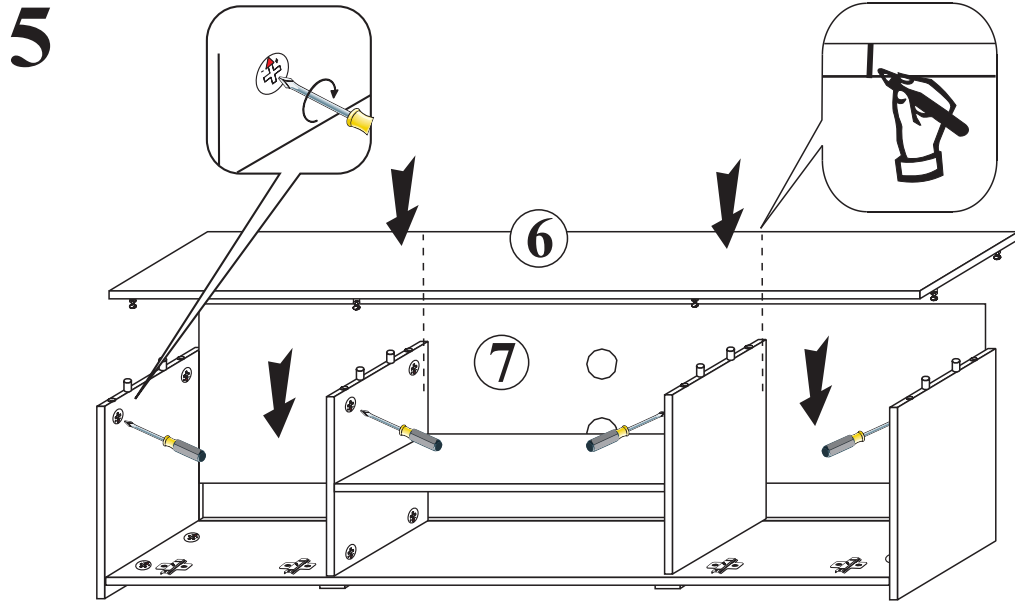


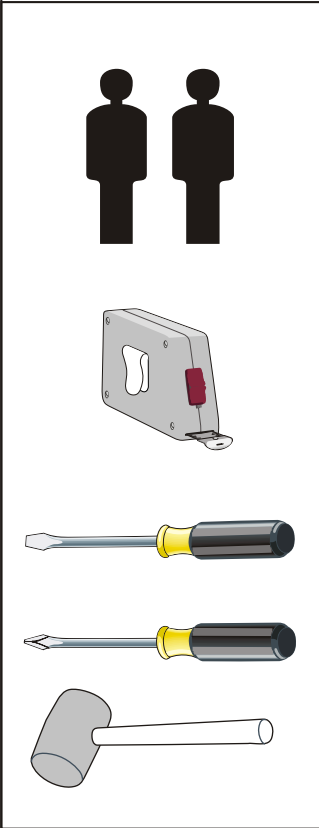
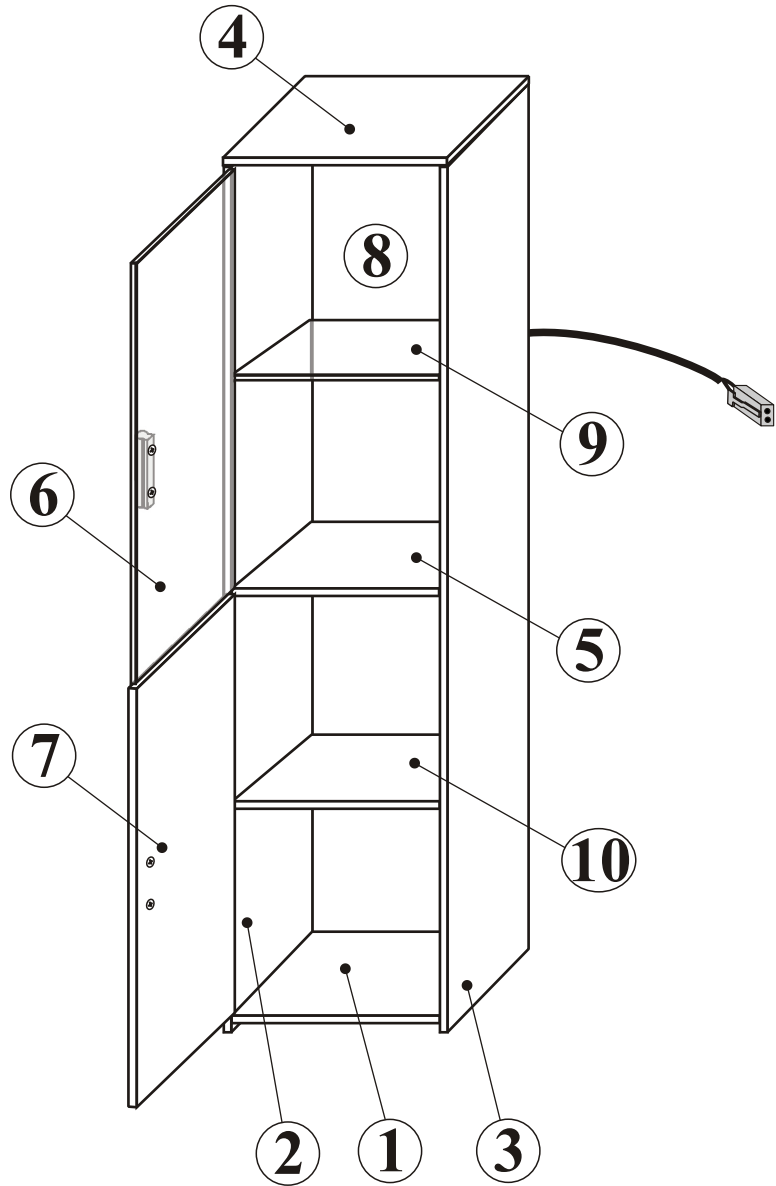
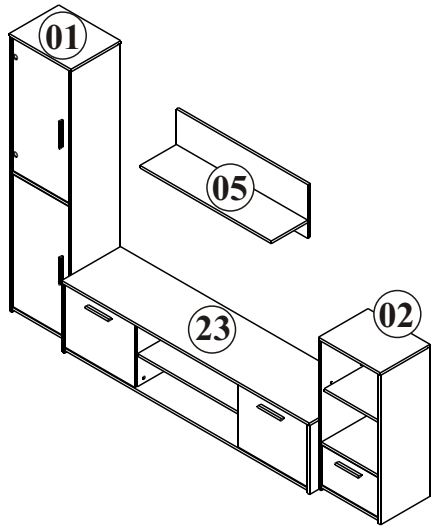
3



4





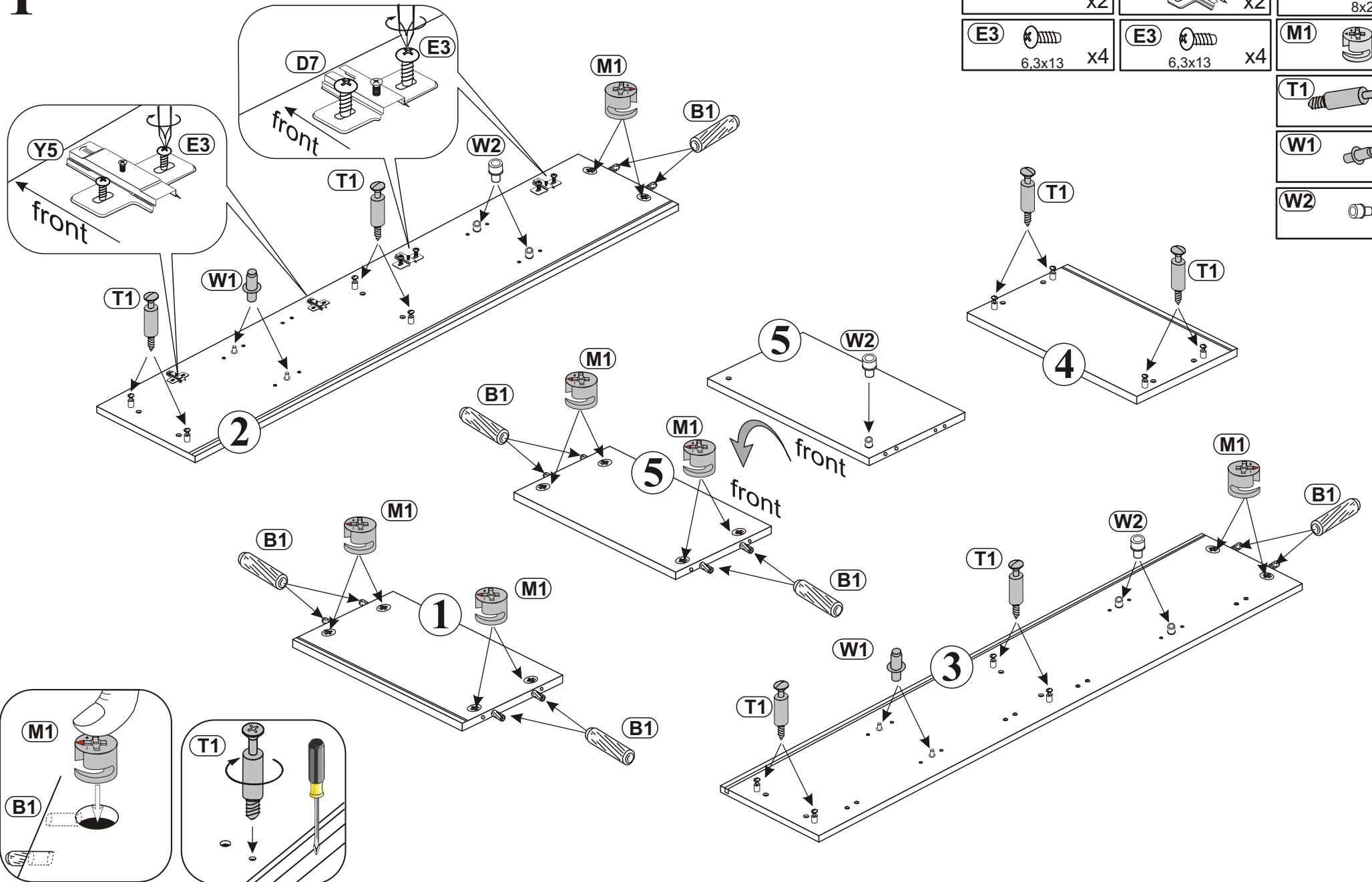











- NR 1**
 - (B1)** 8x28 x12
 - (M1)** x12
 - (T1)** x12
 - (W1)** x4
 - (W2)** x5
 - (C2)** x12
 - (J23)** x12
 - (P3)** 3x20 x3
- NR 2**
 - (Y1)** x2
 - (Y5)** x2
 - (S8)** 4x13 x4
 - (E3)** 6,3x13 x4
- (O20)** x1
- (O21)** x1

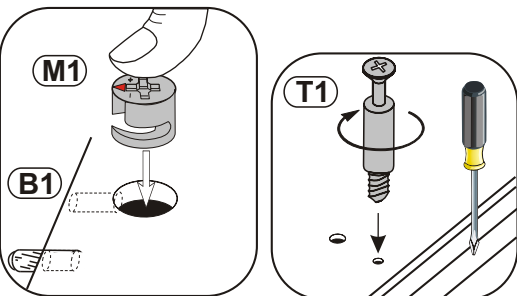
- NR 3**
 - (Z7)** x2
 - (Z9)** x2
 - (D7)** x2
 - (E3)** 6,3x13 x4
- NR 4**
 - (U34)** x2
 - (P5)** Ø 4x30mm x2
 - (P6)** 4x16 x2
 - (G4)** x2
- NR 5**
 - (J11)** x1
 - (T13)** x1
 - (S15)** x1
 - (P13)** 3,5x13 x2



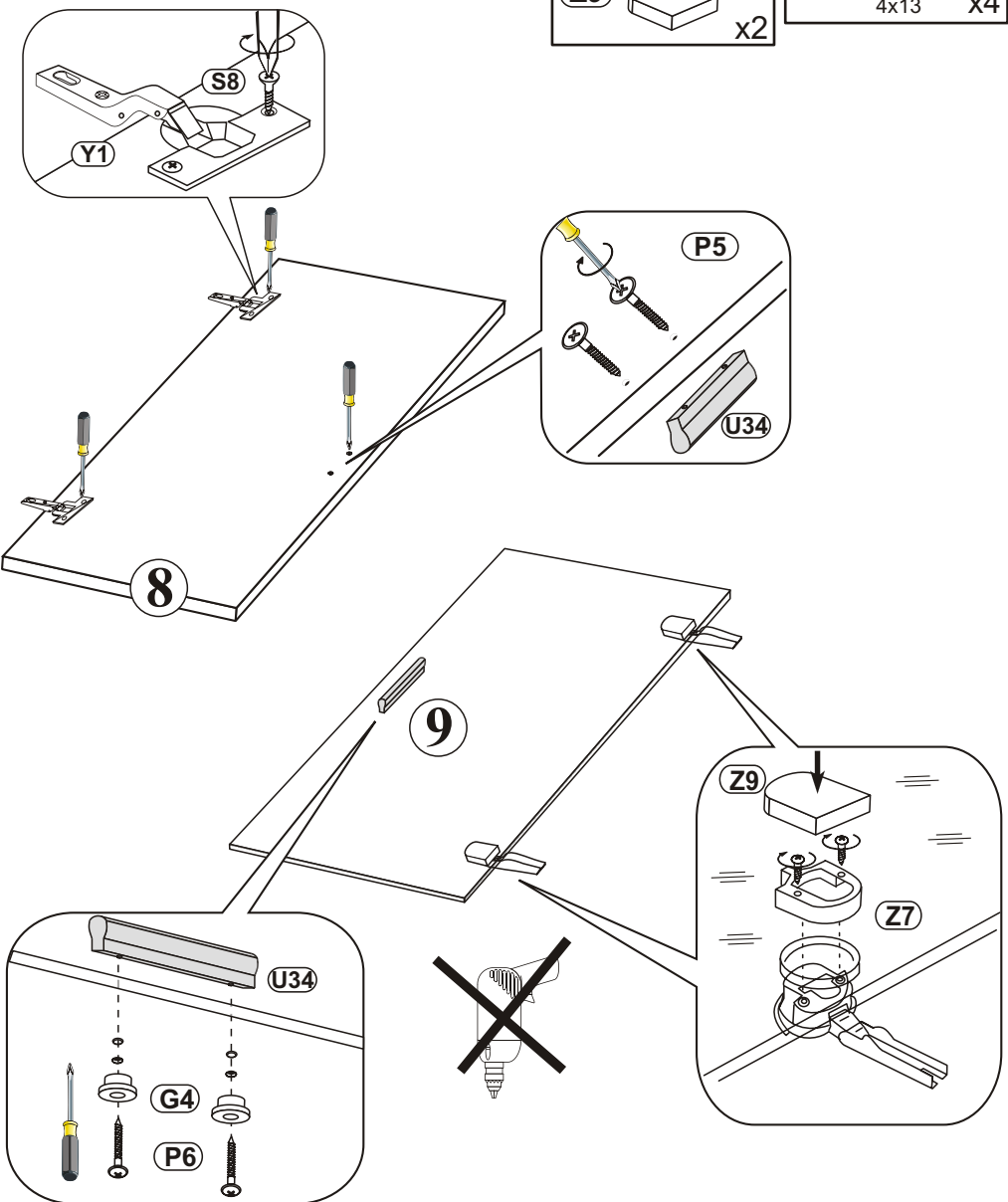
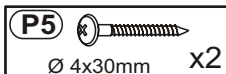
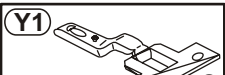
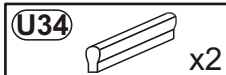
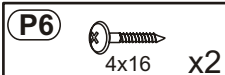
1



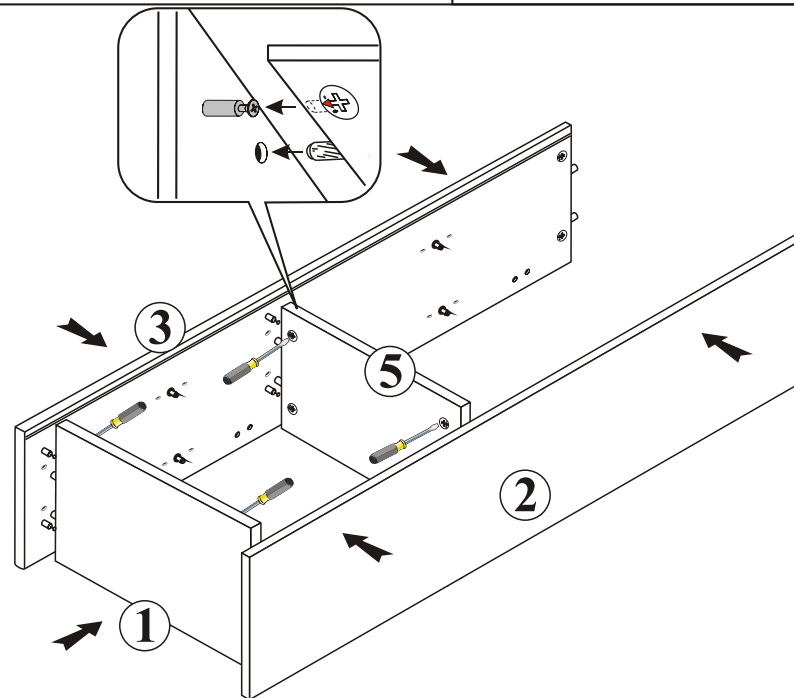
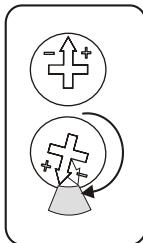
Y5  x2	D7  x2	B1  8x28 x12
E3  6,3x13 x4	E3  6,3x13 x4	M1  x12
		T1  x12
		W1  x4
		W2  x5



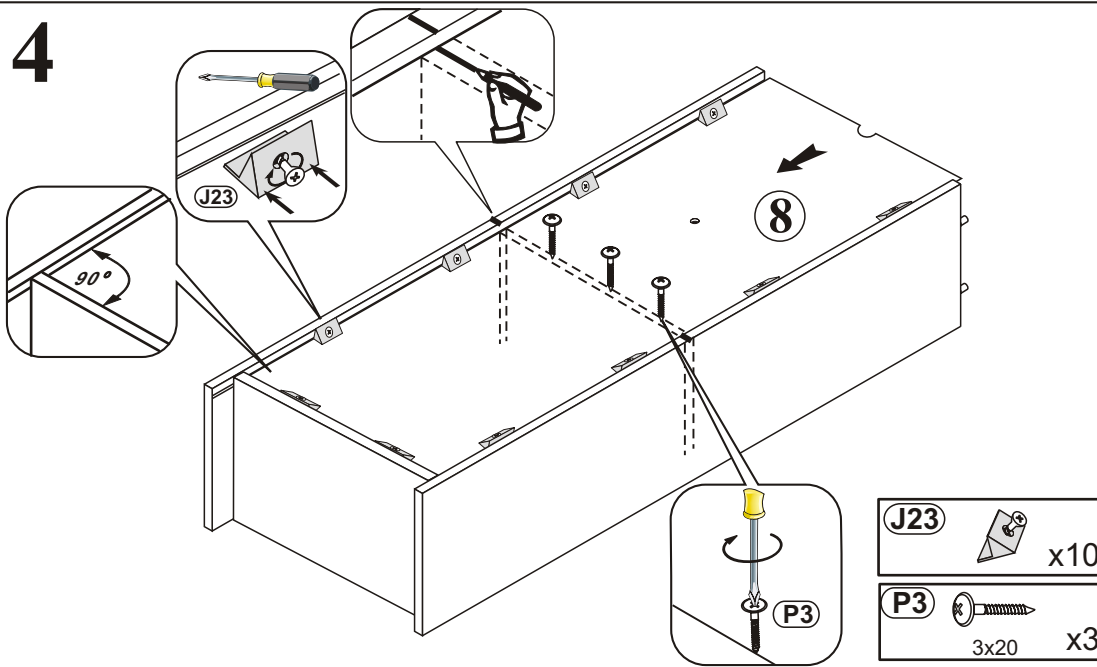
2



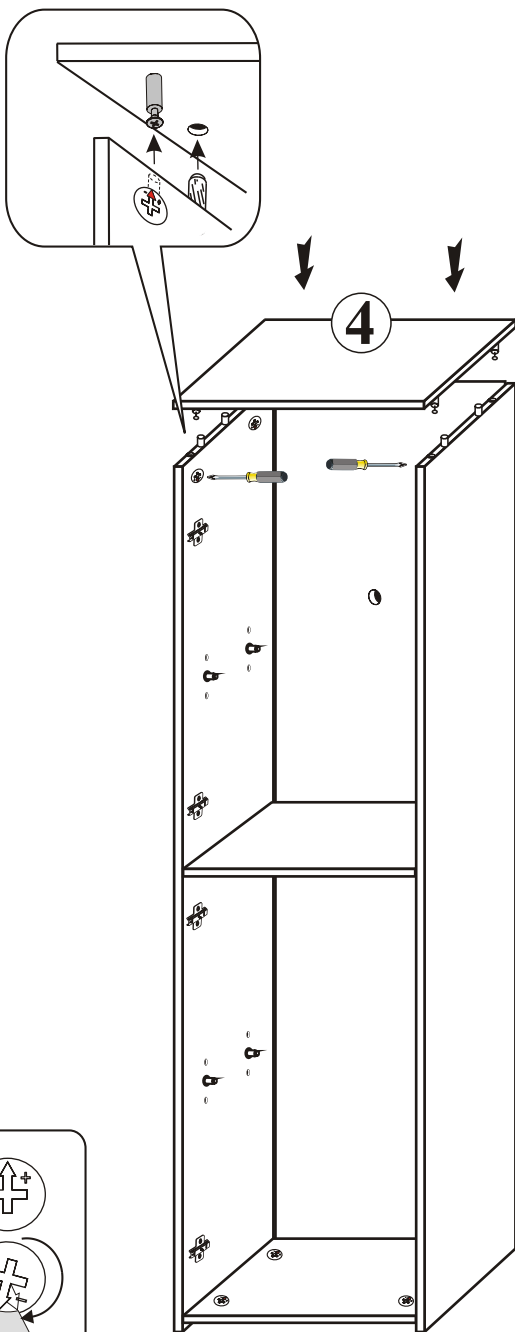
3



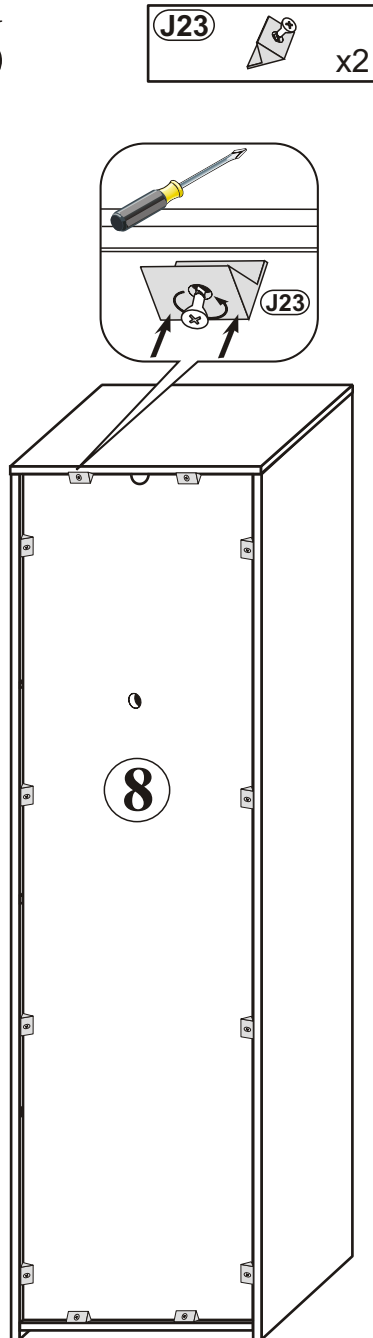
4



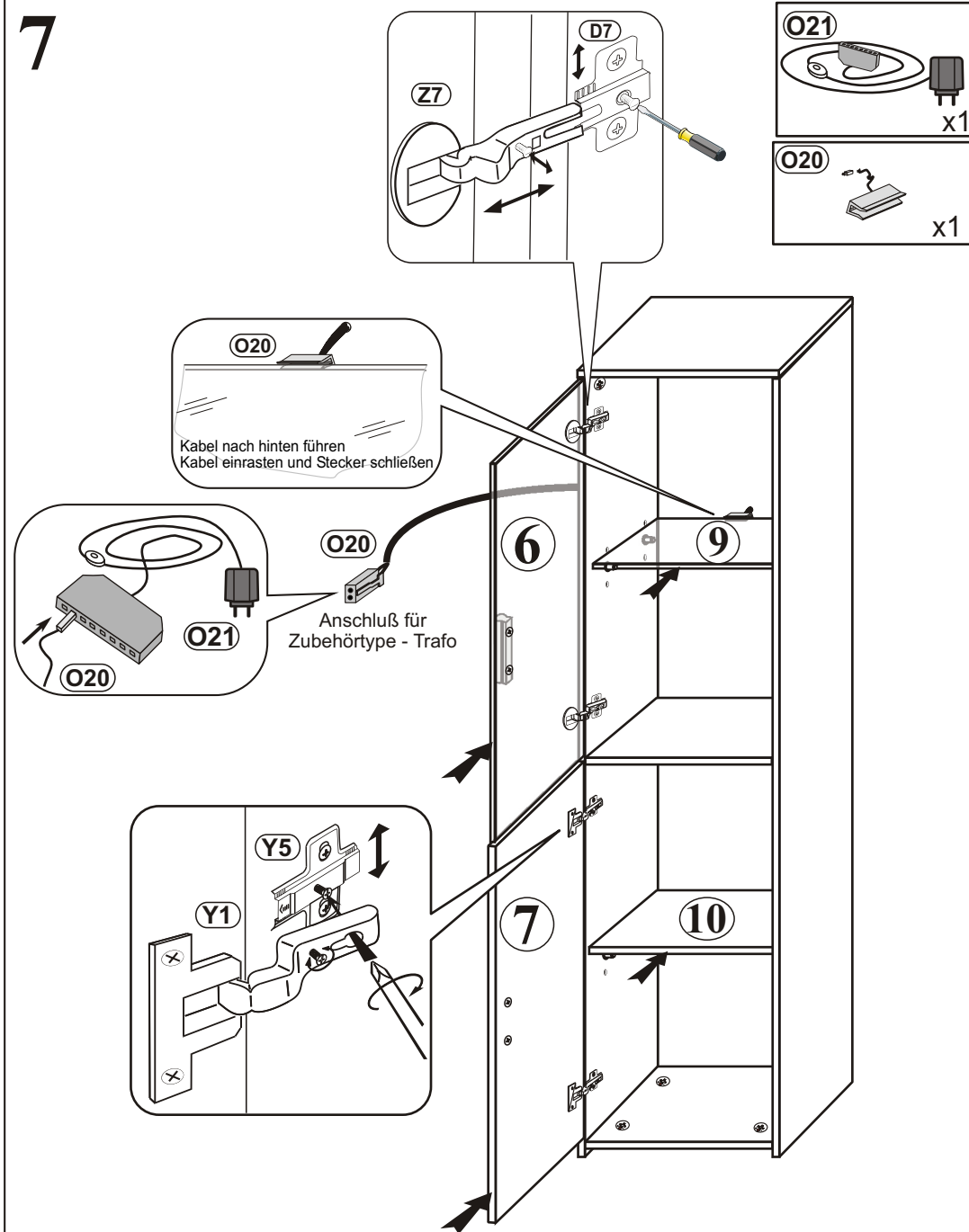
5



6

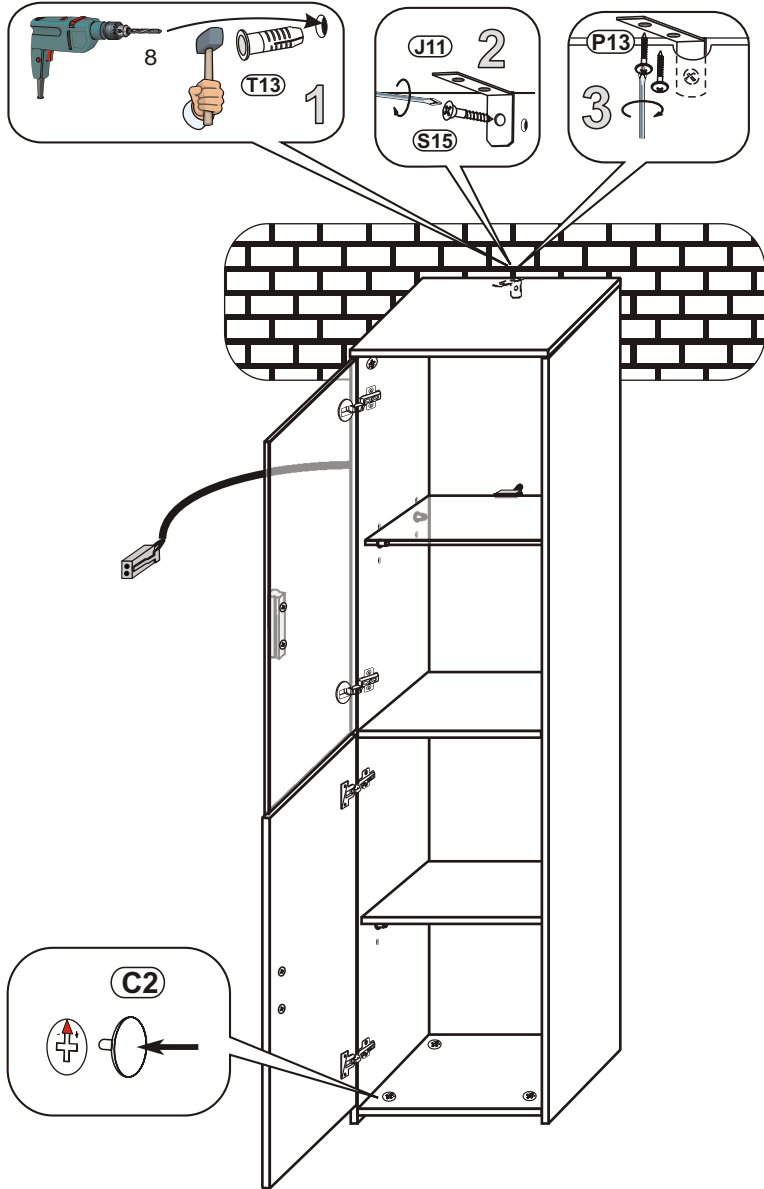


7



8

- P13** 3,5x13 x2
- T13** x1
- S15** x1
- J11** x1



- C2** x12

9

