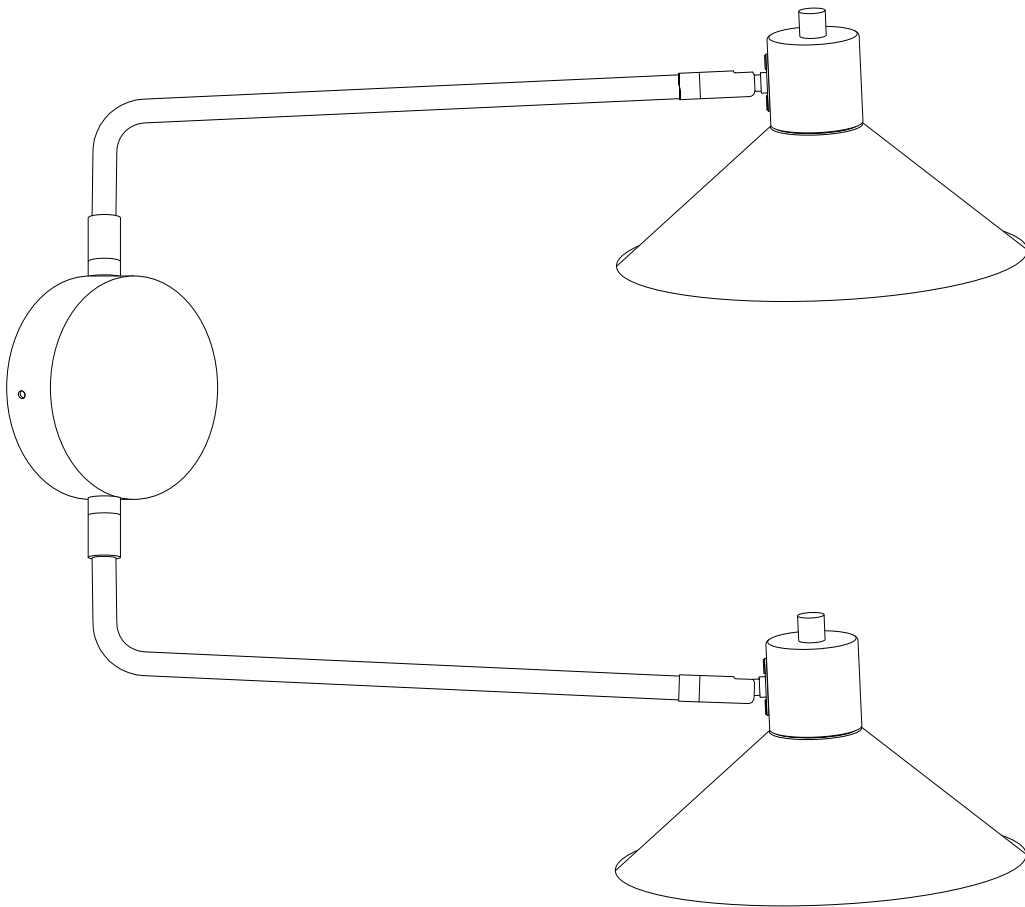
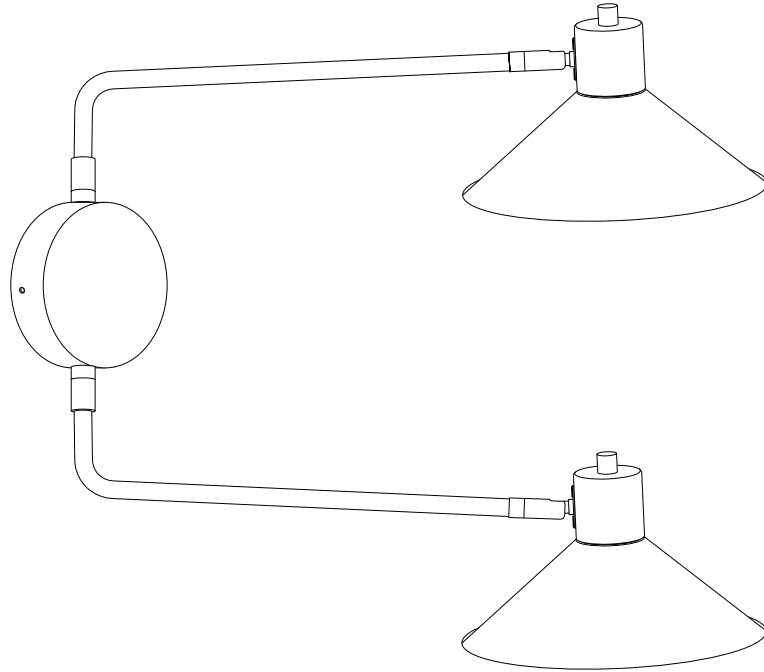
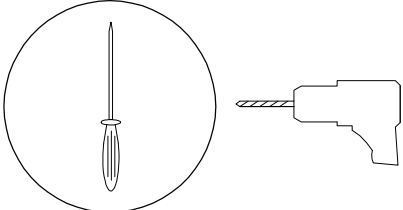

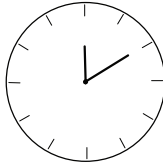
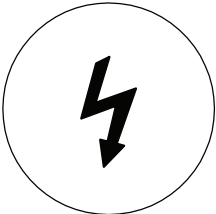


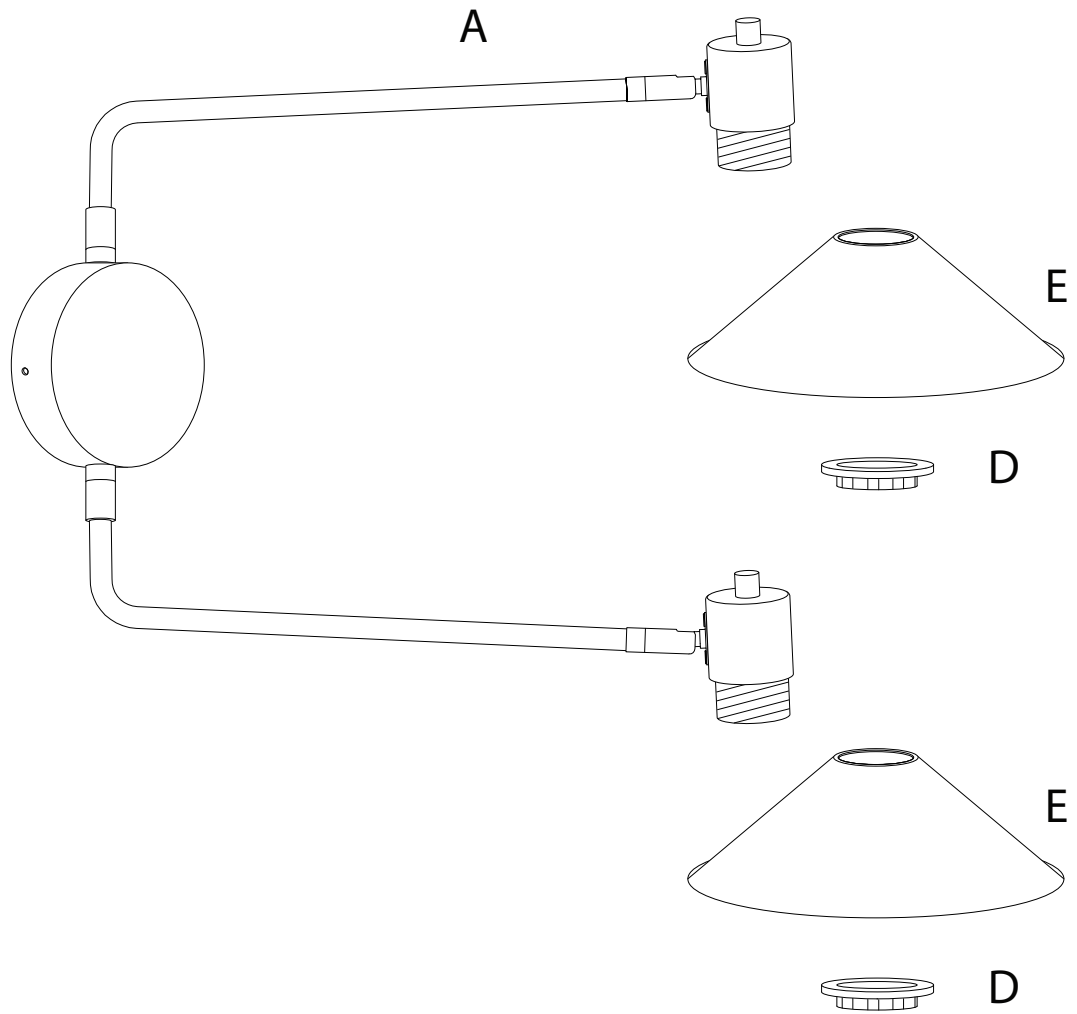


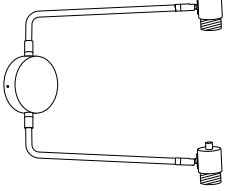
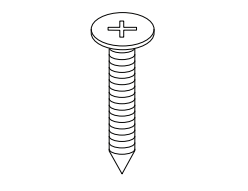
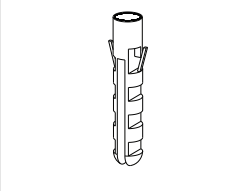
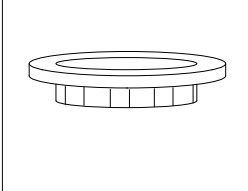
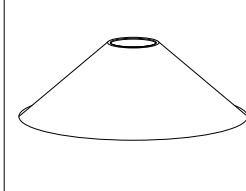
KADASSA



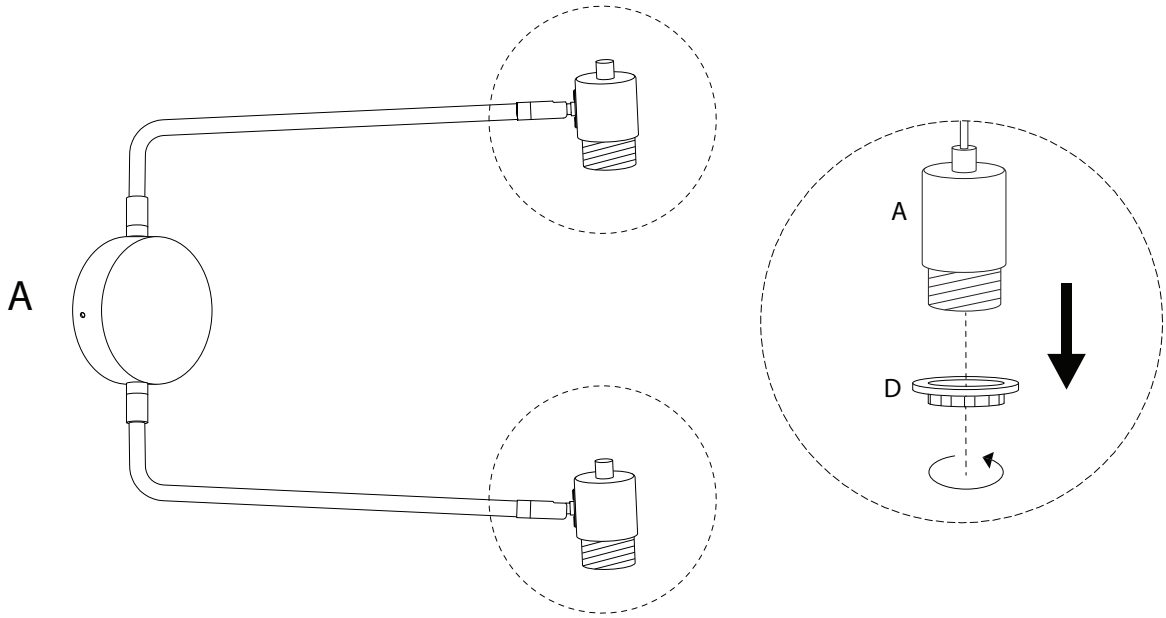
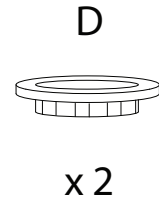
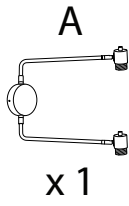


		
		<p>10'</p>
		
		<p>1</p>

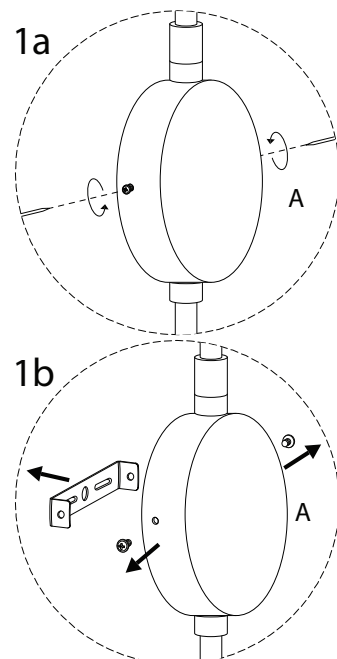
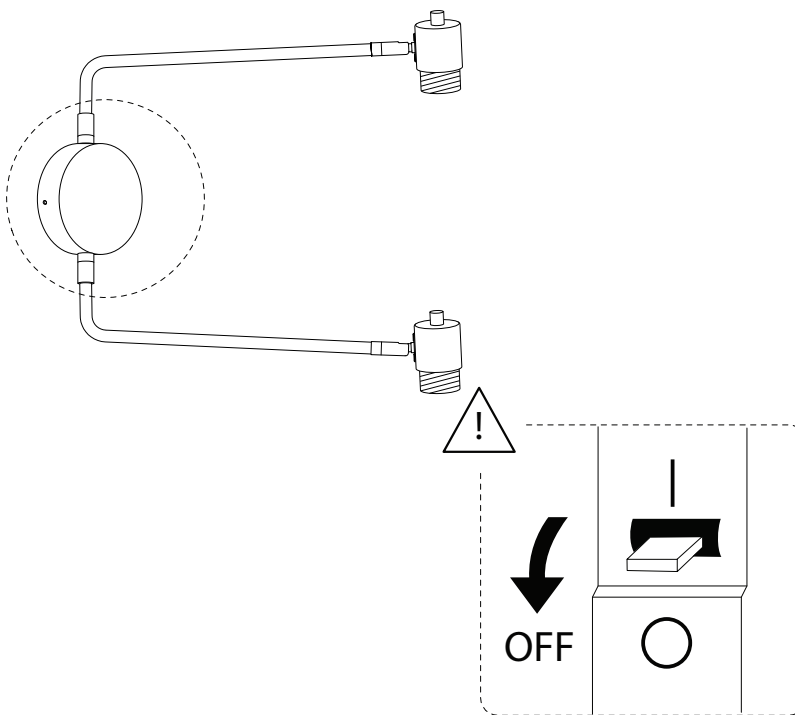


A	B	C	D	E
				
x 1	x 2	x 2	x 2	x 2

1

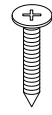


2



3

B

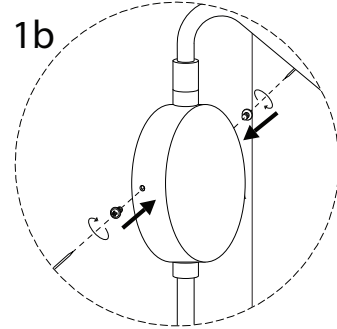
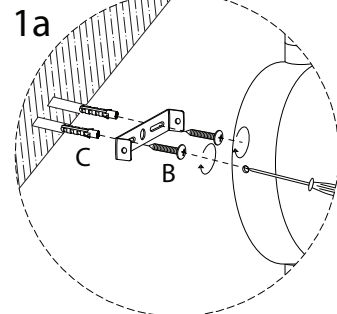
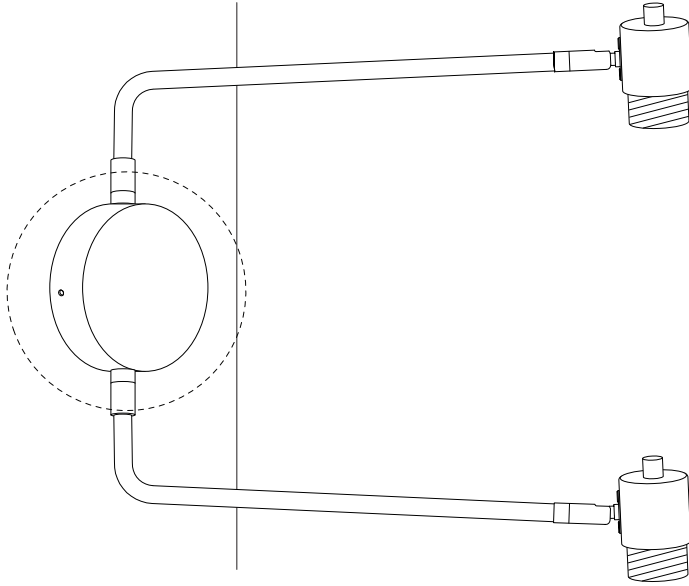


x 2

C



x 2

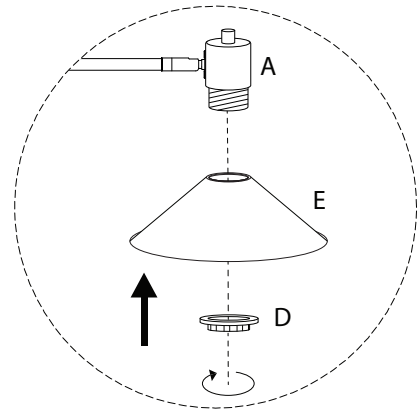
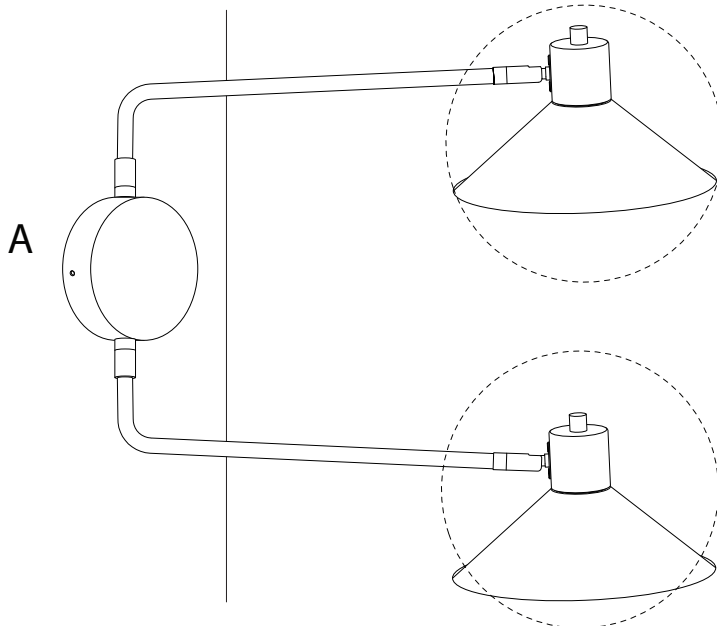


4

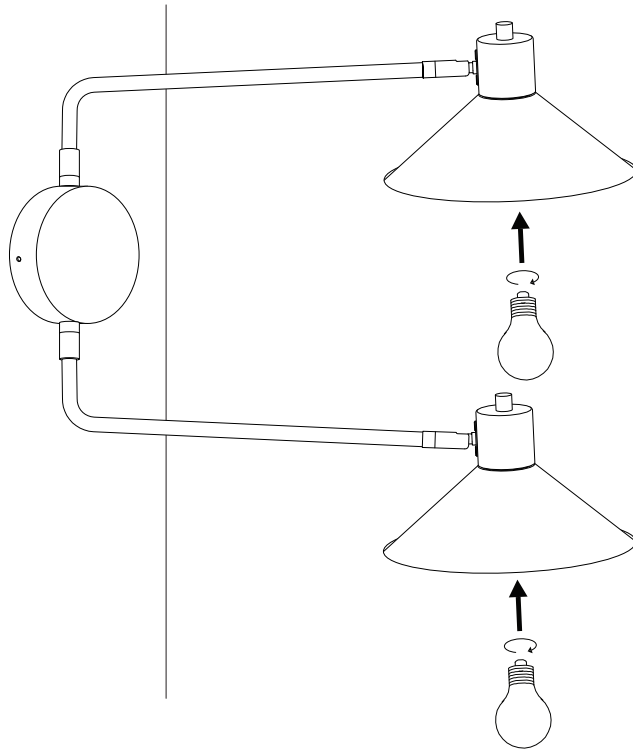
E



x 2



5



!

