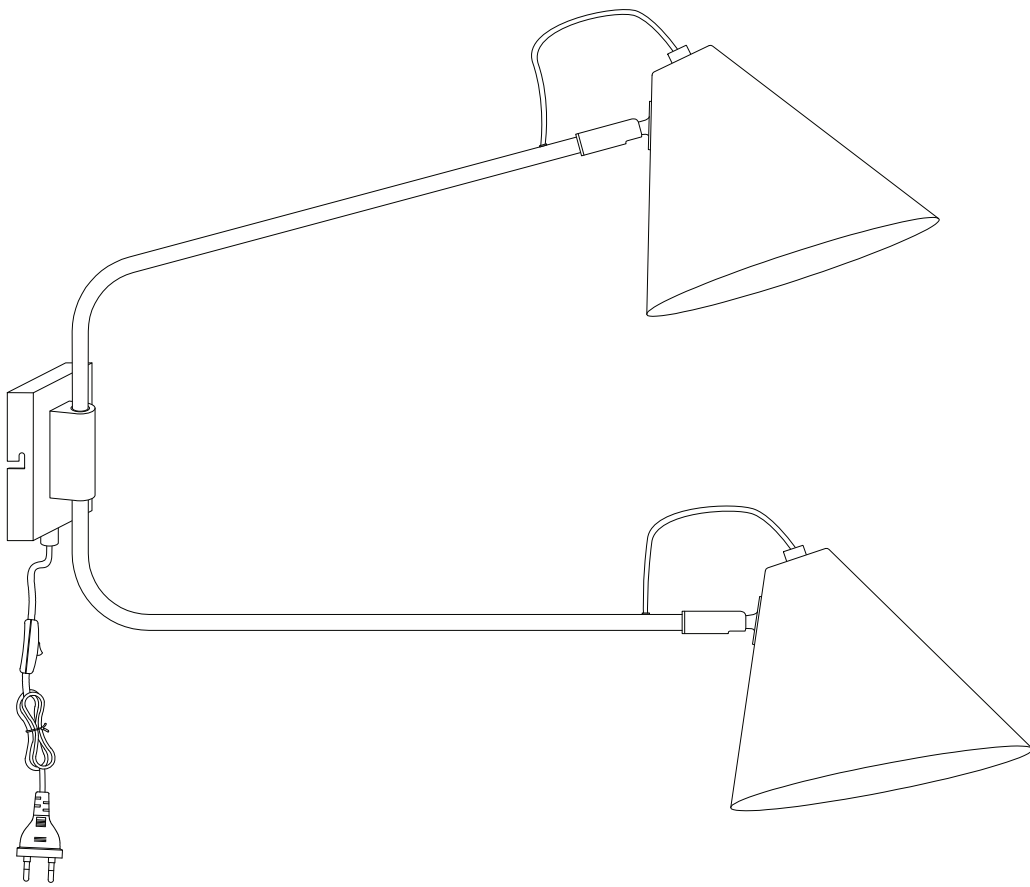
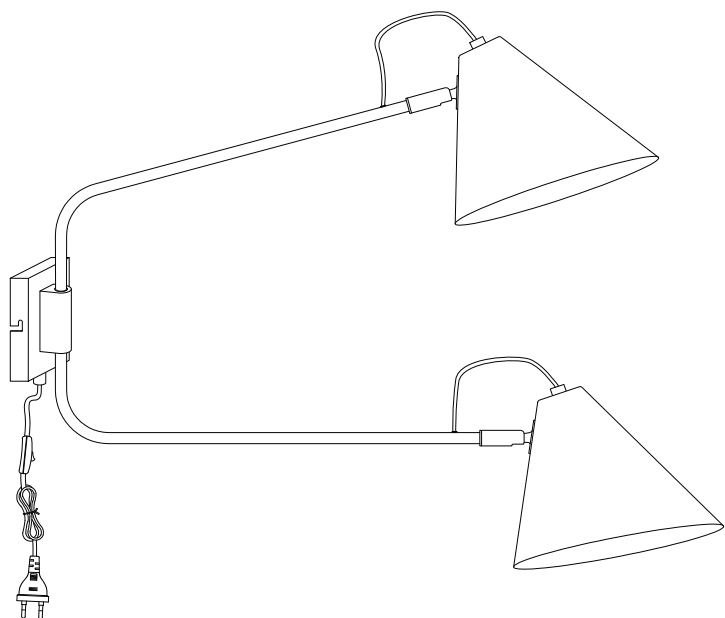


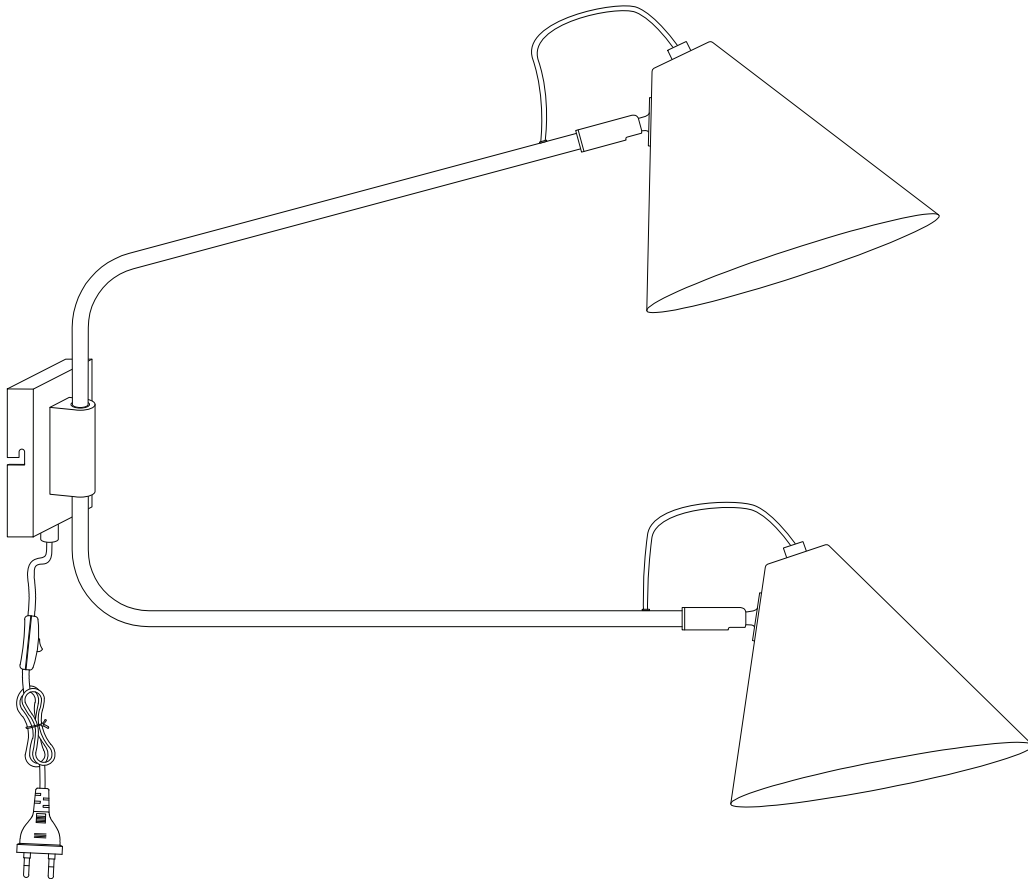
MANDIRI



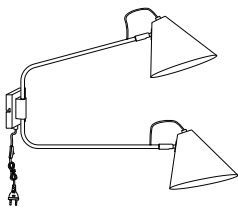


		10'
		1

A

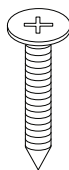


A



x 1

B



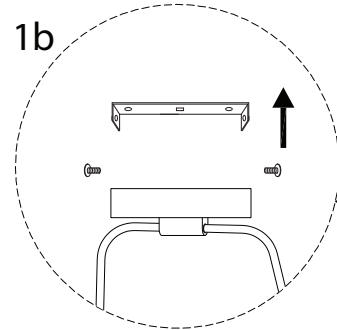
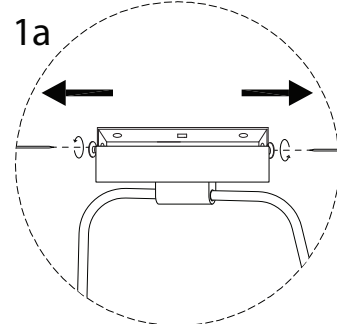
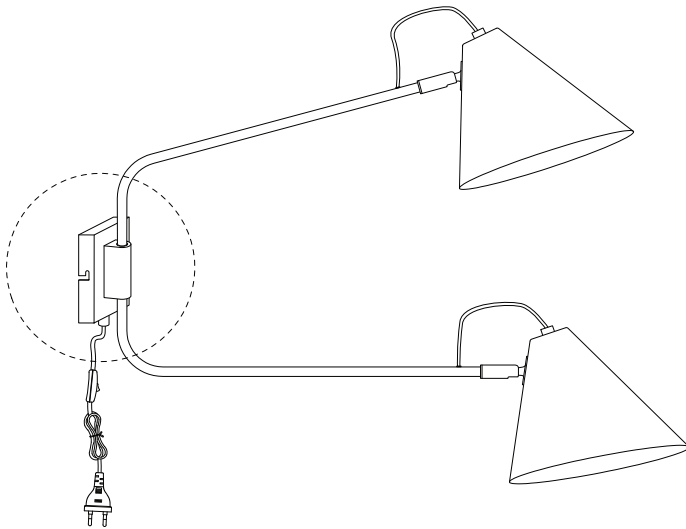
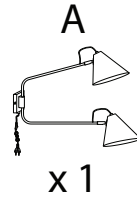
x 2

C

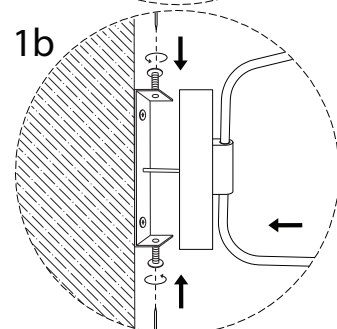
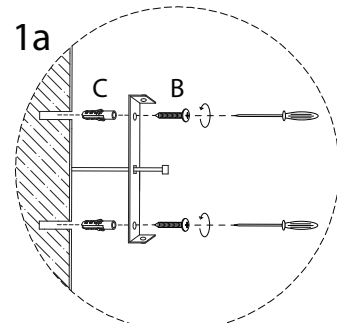
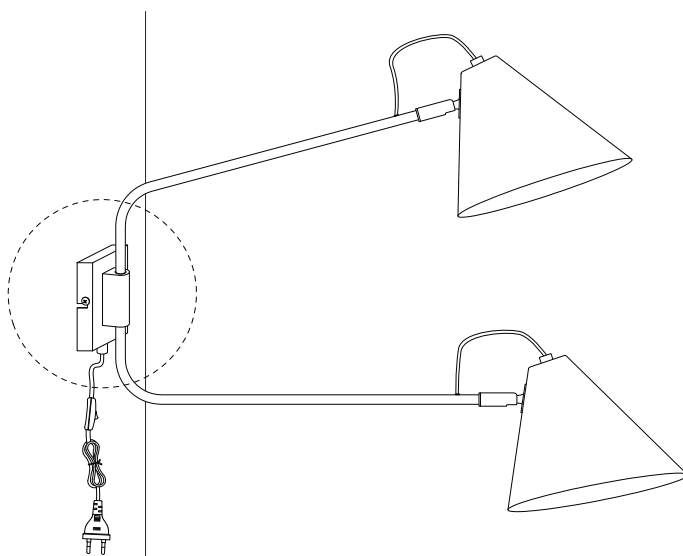
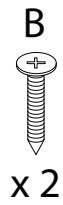


x 2

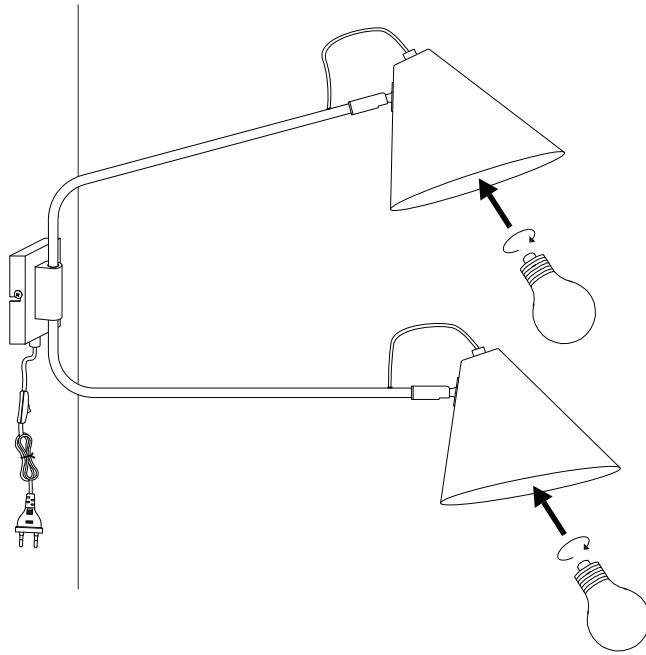
1



2



3



!

