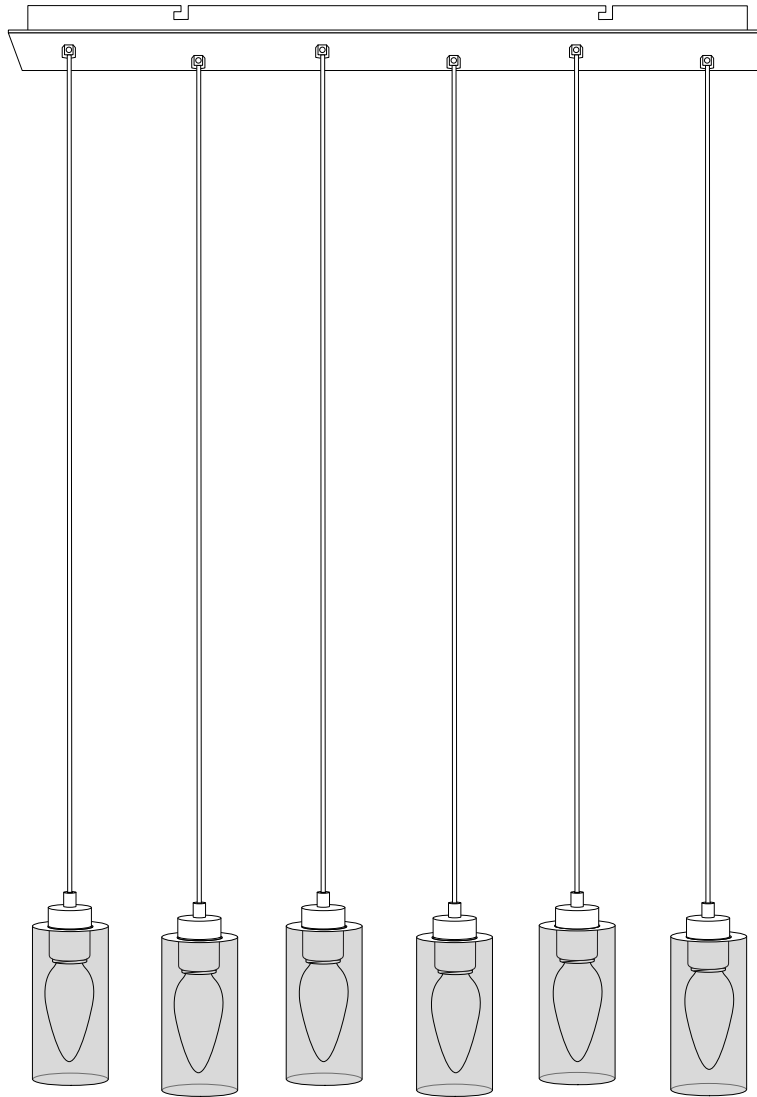


PURIRI



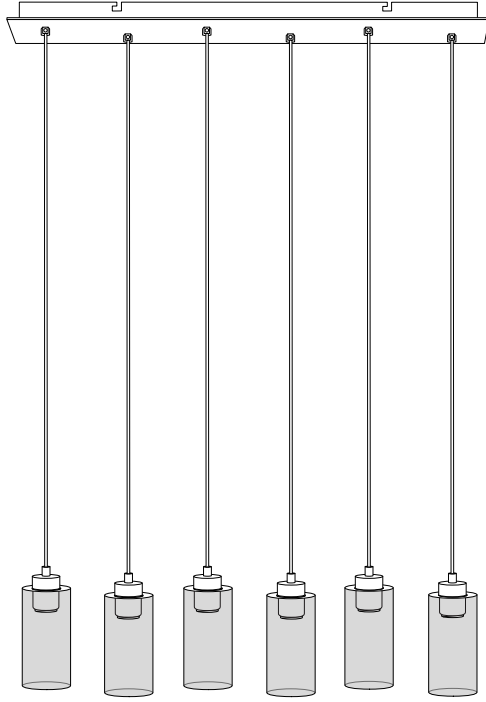
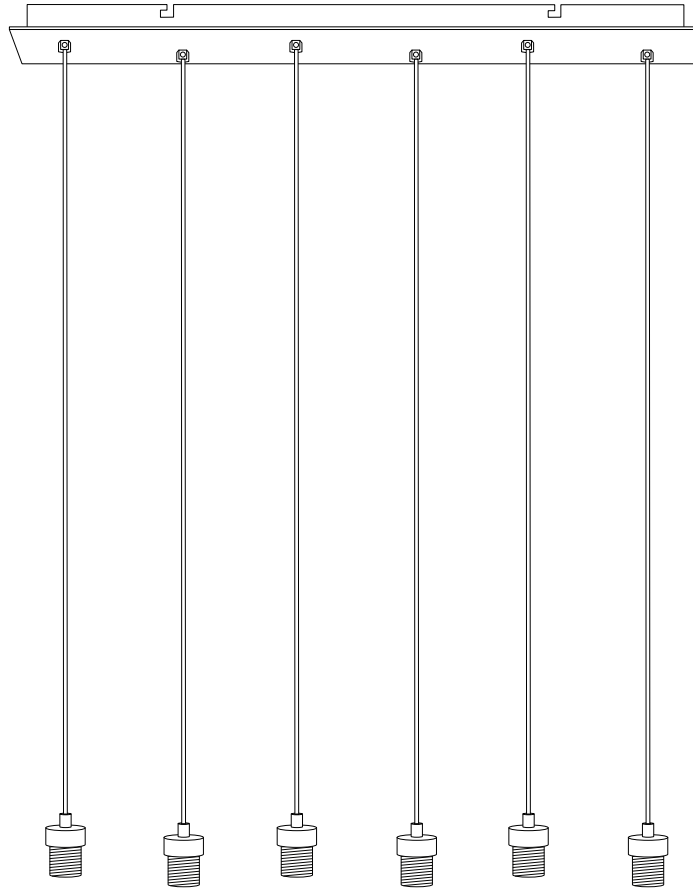


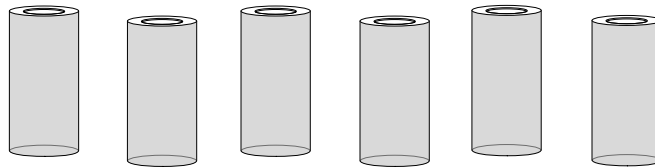
Diagram illustrating the required tools and safety warnings for installation:

- Tools:** A screwdriver and a power drill are shown, indicating the tools needed for the task.
- Warning:** A warning triangle with an exclamation mark is present, indicating a caution or warning.
- Time:** A clock icon indicates a 15-minute installation time.
- Personnel:** A person icon indicates that 1 person is required for the installation.

A



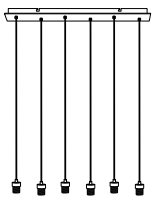
B x 6



C x 6

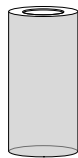


A



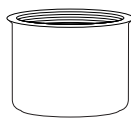
x 1

B



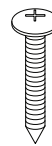
x 6

C



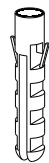
x 6

D



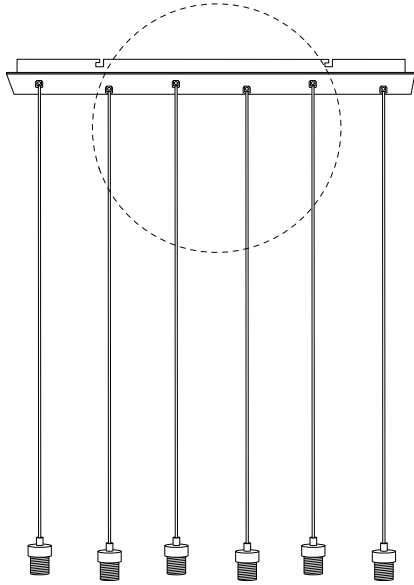
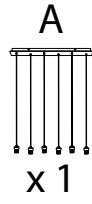
x 2

E

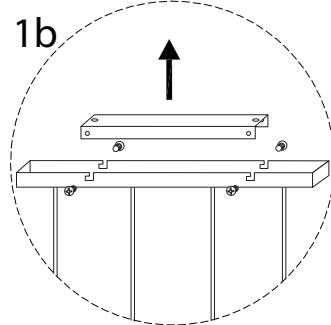
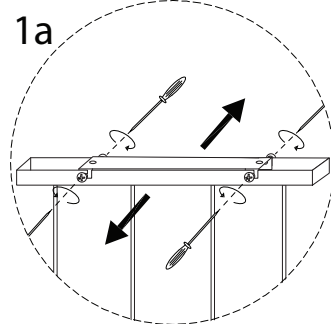
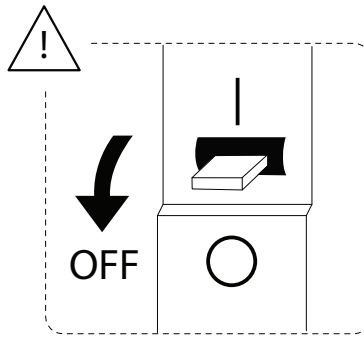


x 2

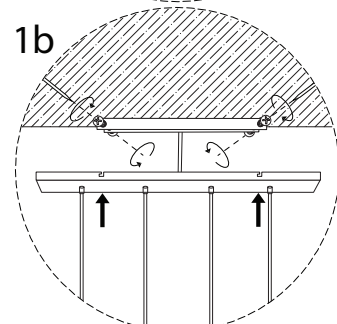
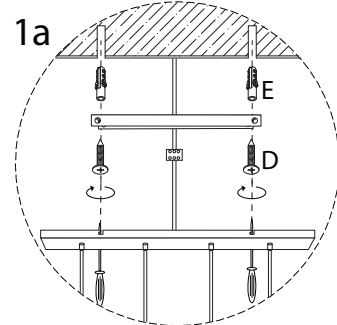
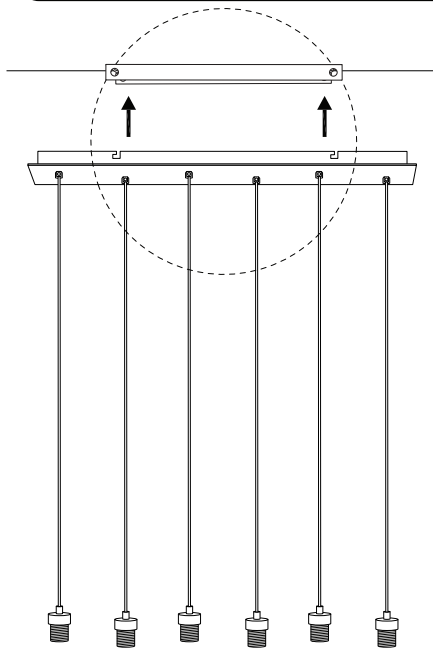
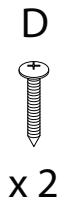
1



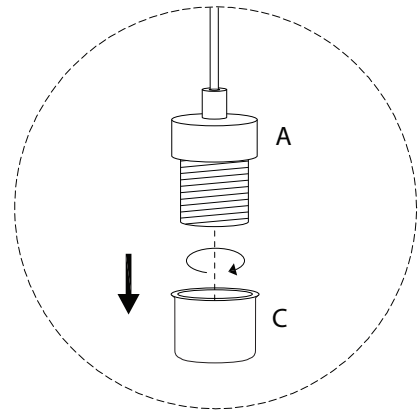
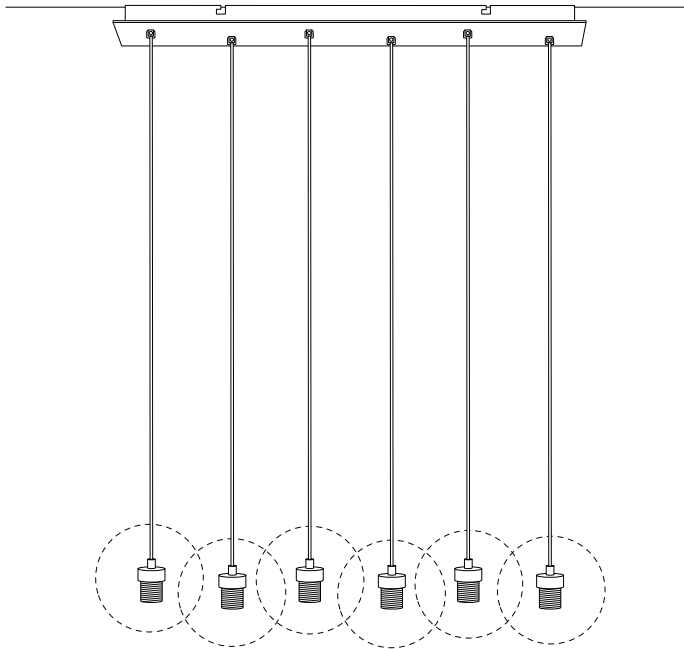
A



2



!



3

B

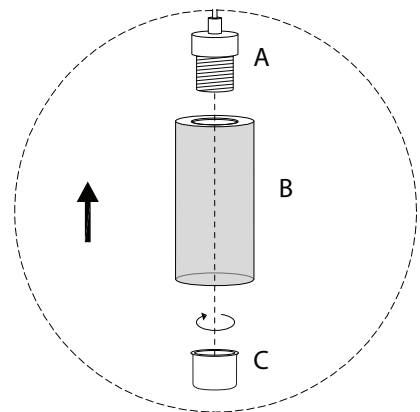
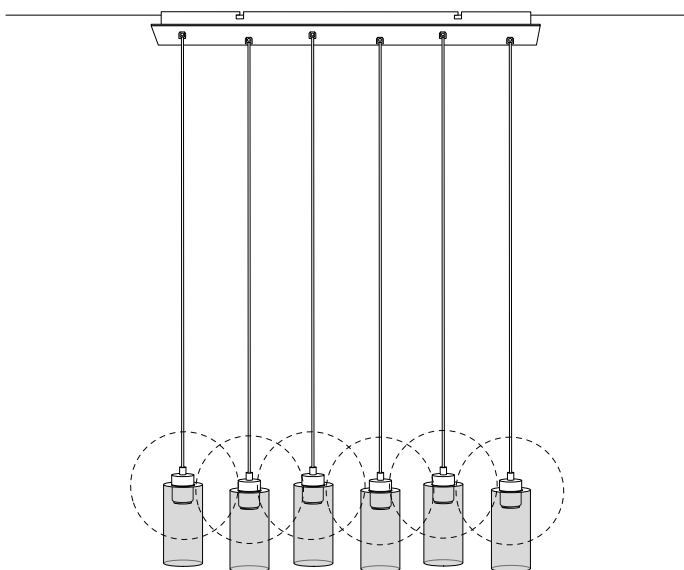


x 6

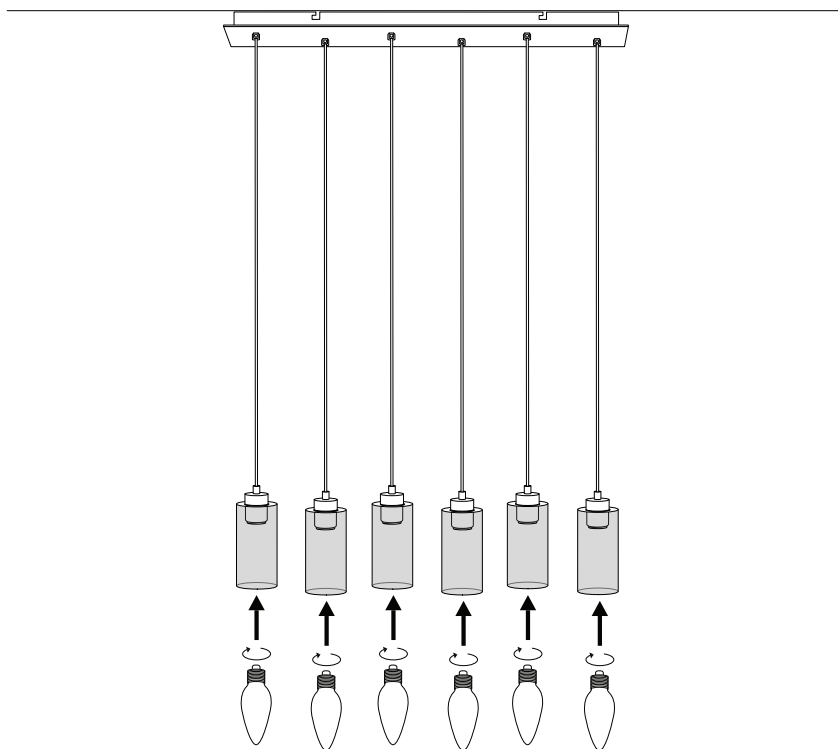
C



x 6



4



!

