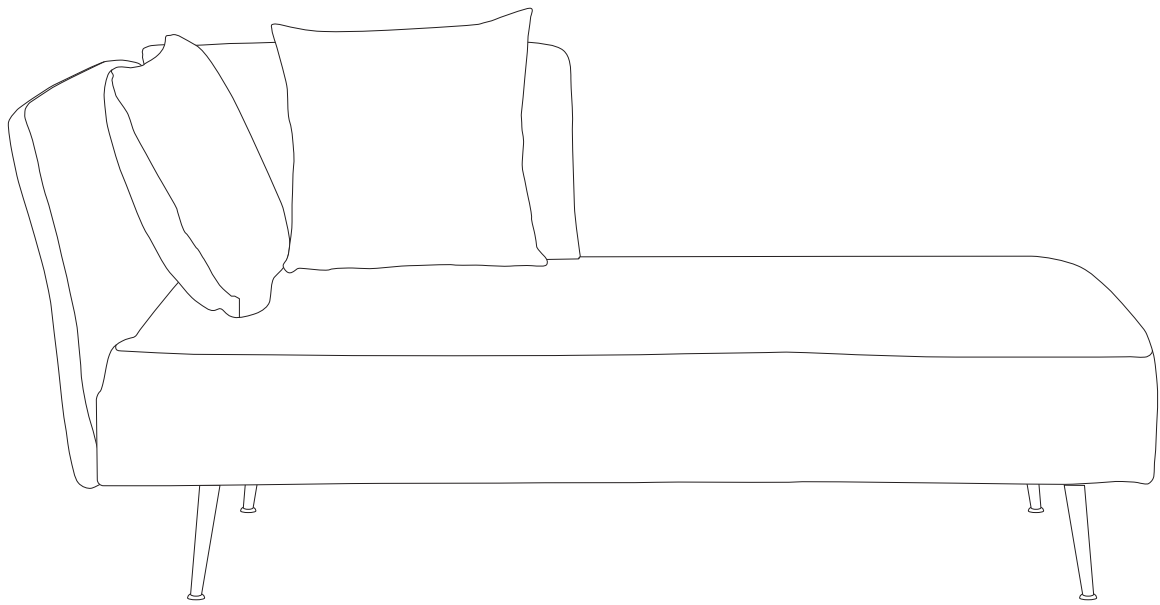
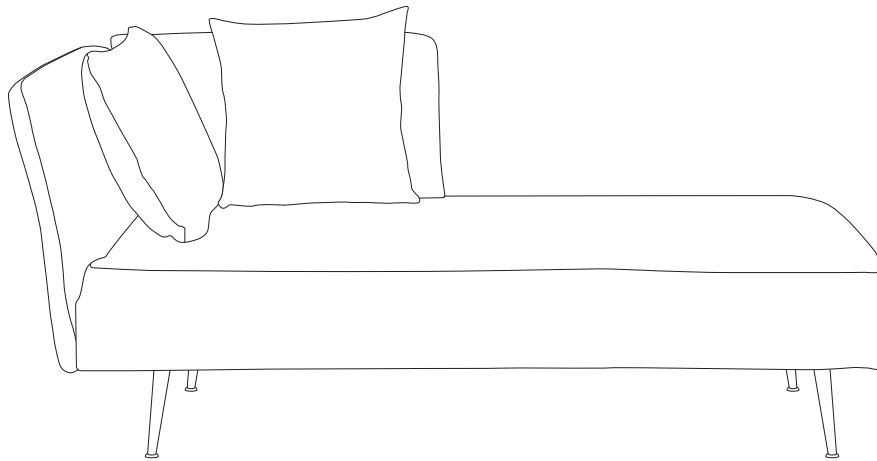


RIOM





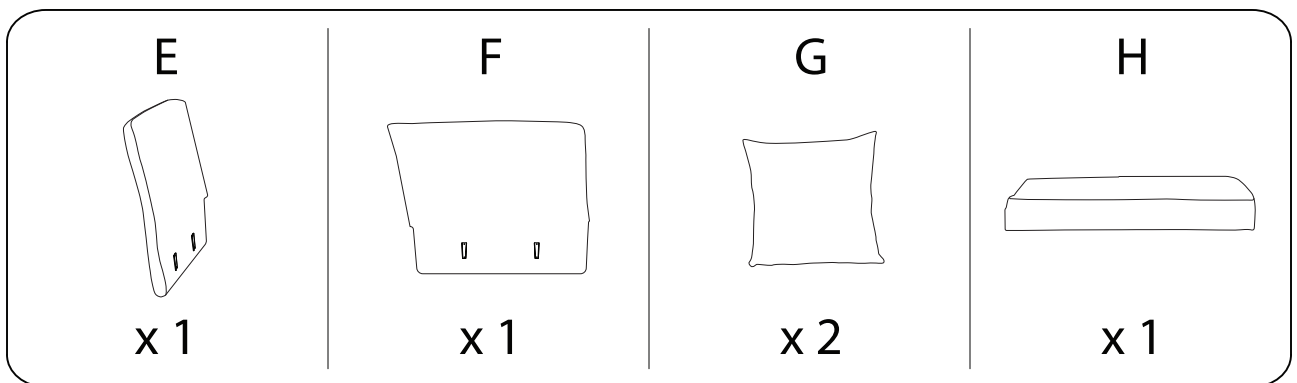
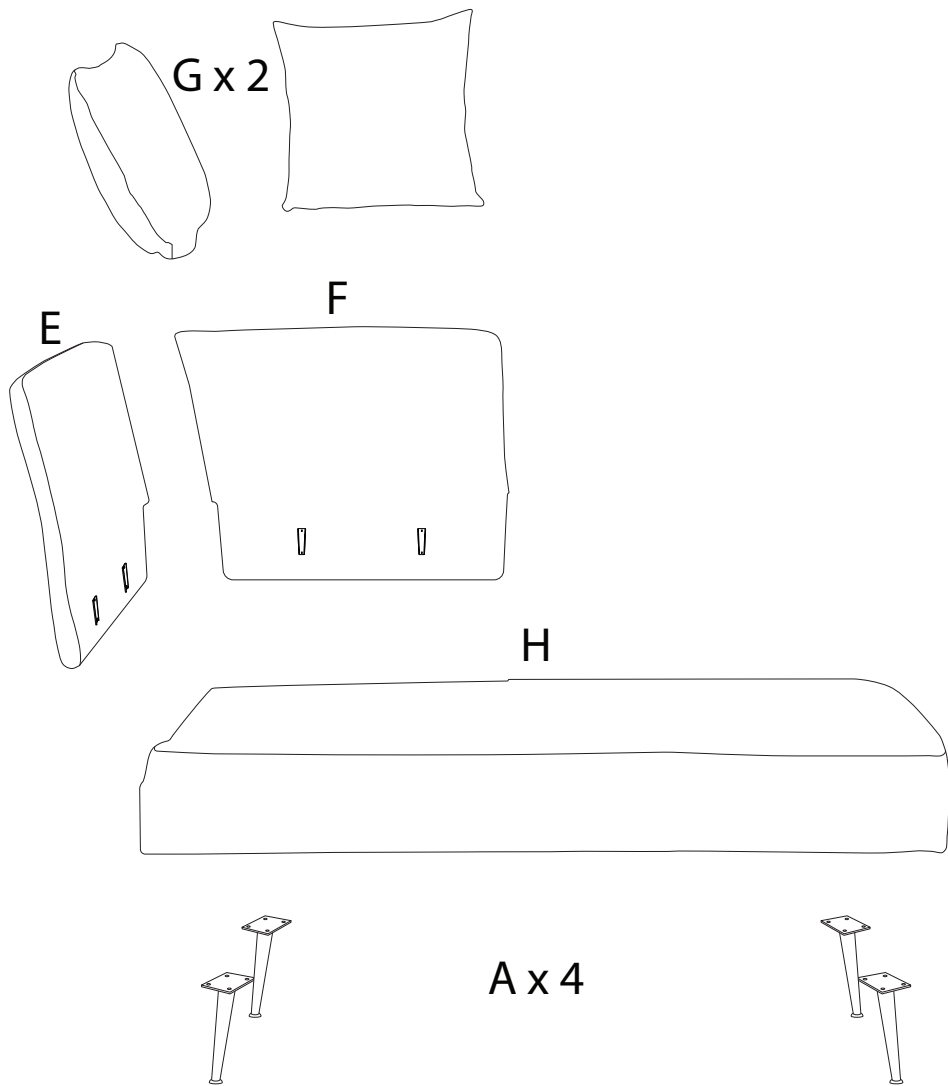
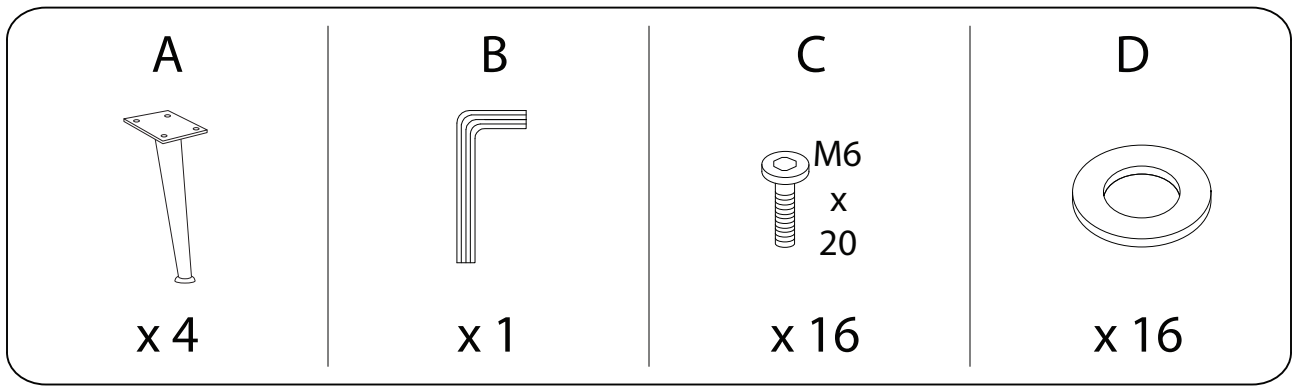
Assembly instructions for the sofa, including warnings, time, and person requirements.

Warning 1: Do not use a power drill. Use an Allen key (shown in a circle) to tighten the legs.

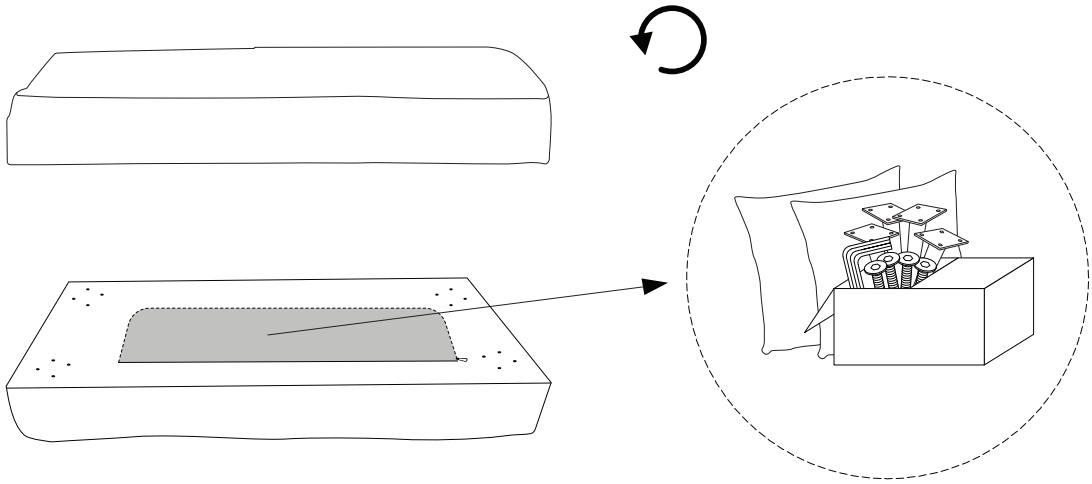
Warning 2: Do not use a power drill to attach the base. Use a screwdriver (shown in a circle) to attach the base.

Time: 30'


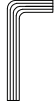

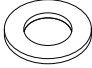
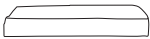
Personnel: 2

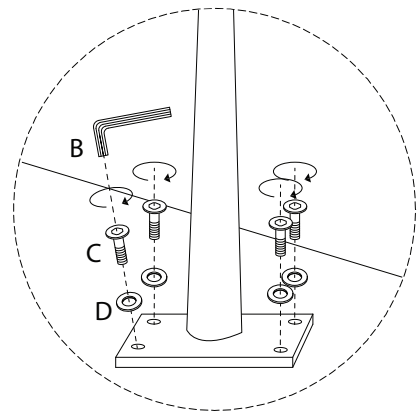
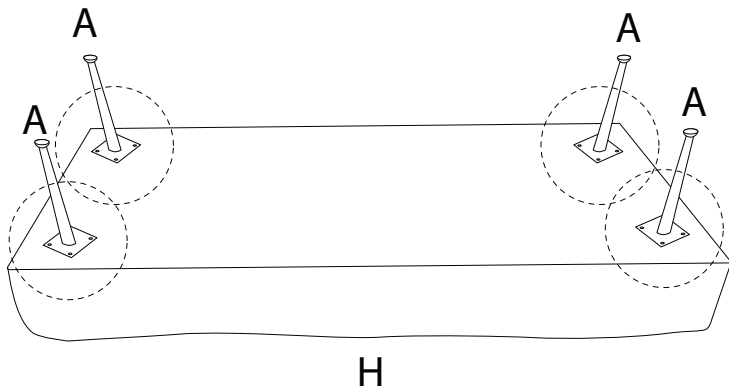


!

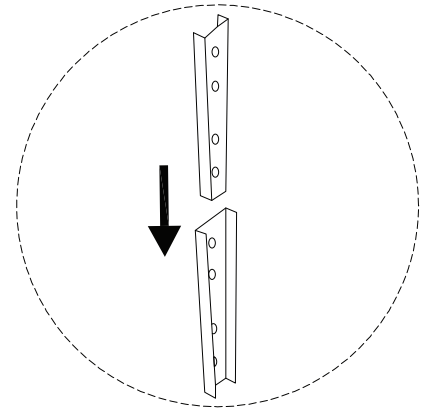
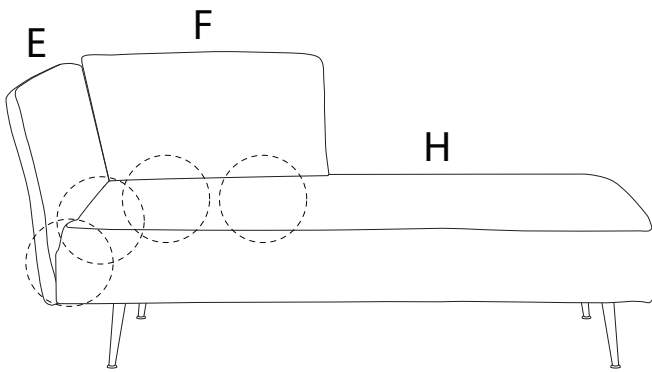
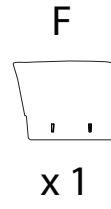


1

A  x 4	B  x 1	C  M6 x 20 x 16	D  x 16	H  x 1
--	--	---	---	--



2



3

