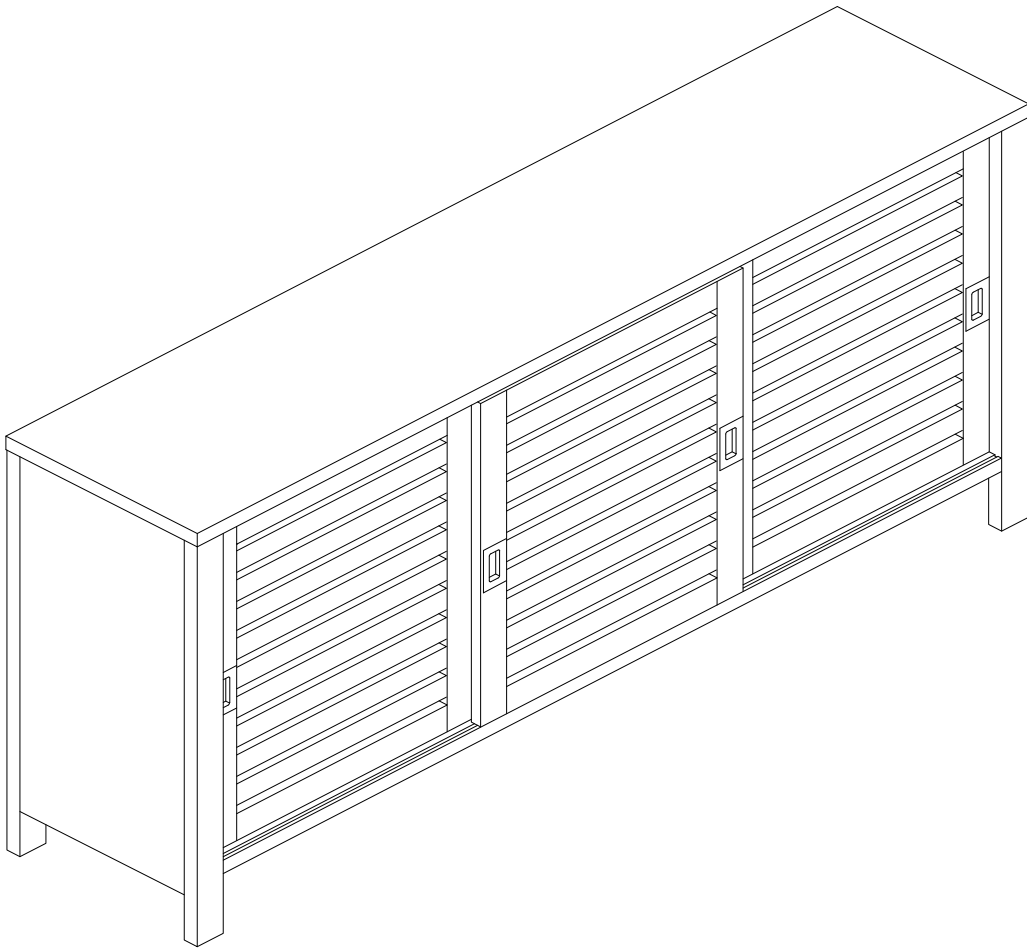
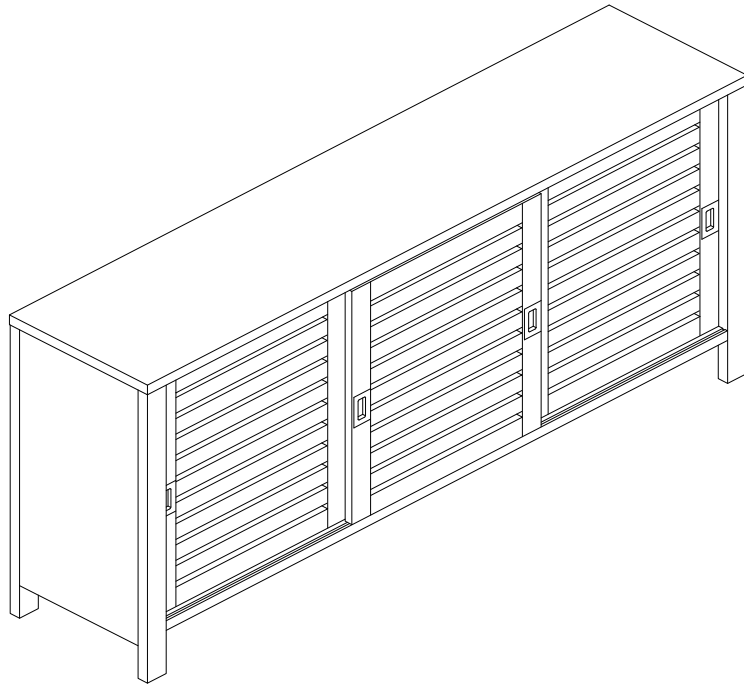


RANDA





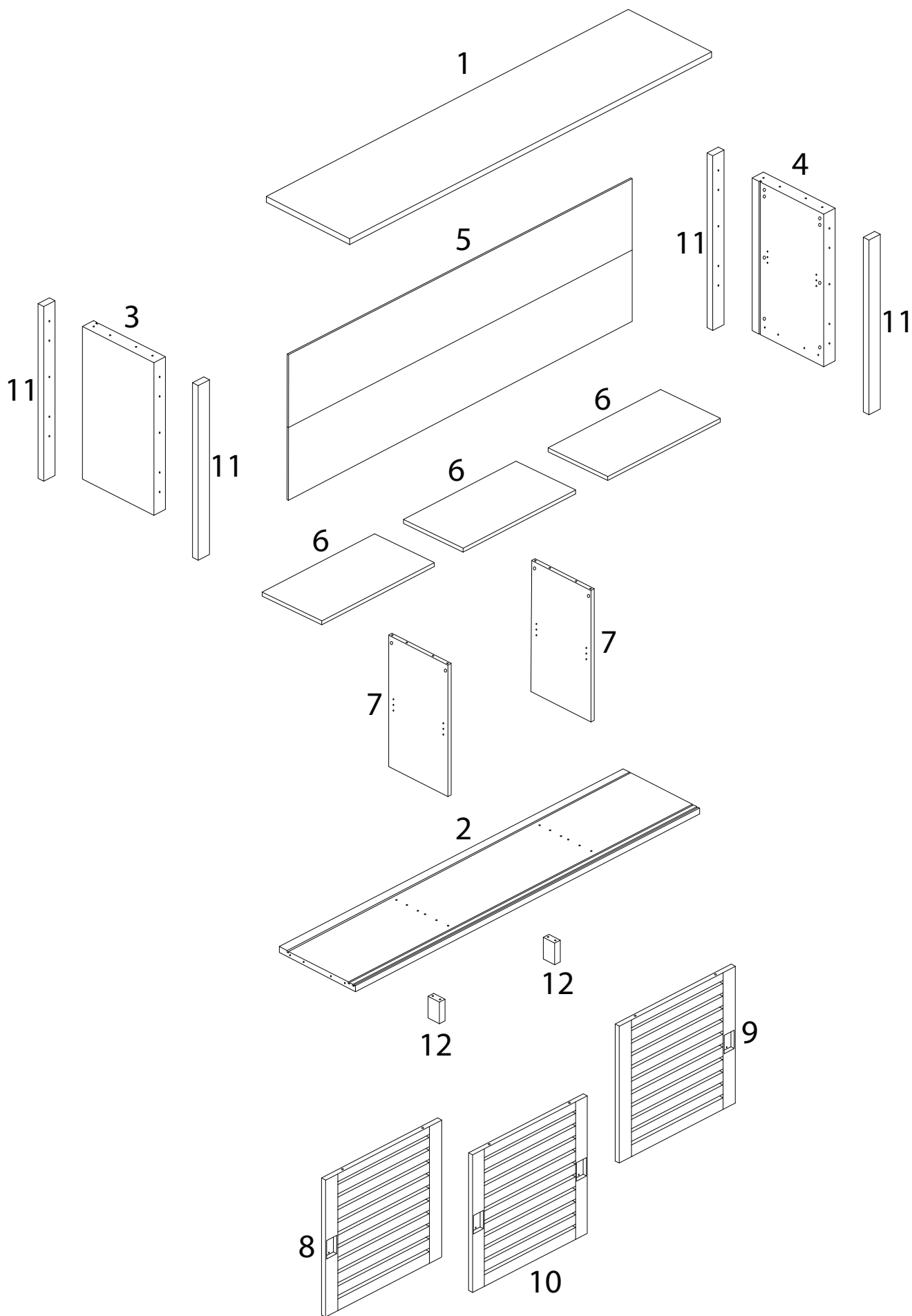
Assembly instructions for the cabinet, including tool requirements, estimated time, and personnel needed.

Tools: A circular icon contains a screwdriver, a hammer, and a power drill. A warning triangle is positioned to the right of this icon.

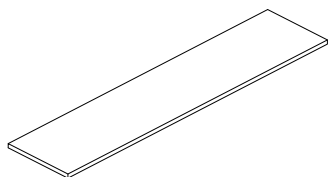
Time: A clock icon is shown next to the text "80'".

Personnel: A stick figure icon is shown next to the number "2".

Warning: A second warning triangle is located below the first one, pointing to a diagram of a block being placed on a surface with a diagonal line through it, indicating a specific assembly step or warning.

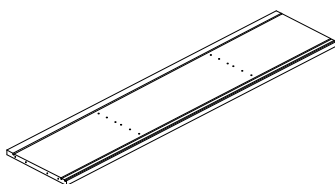


1



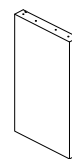
x 1

2



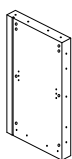
x 1

3



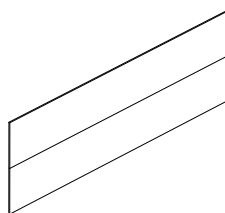
x 1

4



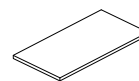
x 1

5



x 1

6



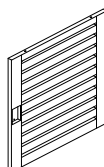
x 3

7



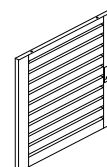
x 2

8



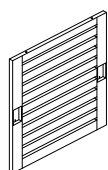
x 1

9



x 1

10



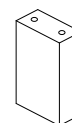
x 1

11



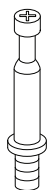
x 4

12



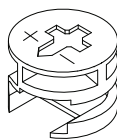
x 2

A



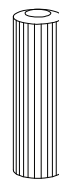
x 24

B



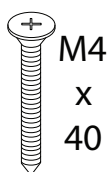
x 24

C



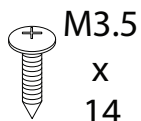
x 24

D



x 10

E



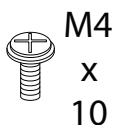
x 2

F



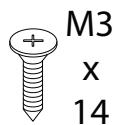
x 2

G



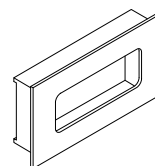
x 8

H



x 22

I



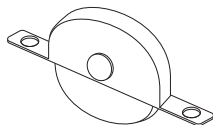
x 4

J



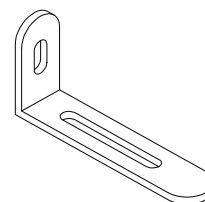
x 10

K



x 6

L



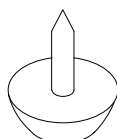
x 2

M



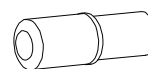
x 6

N



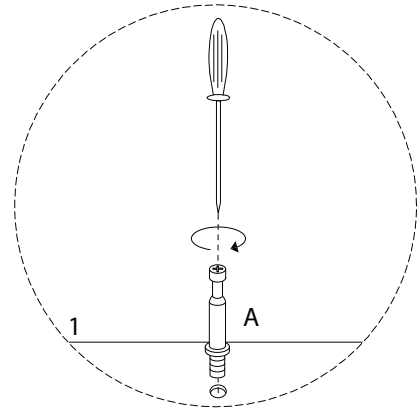
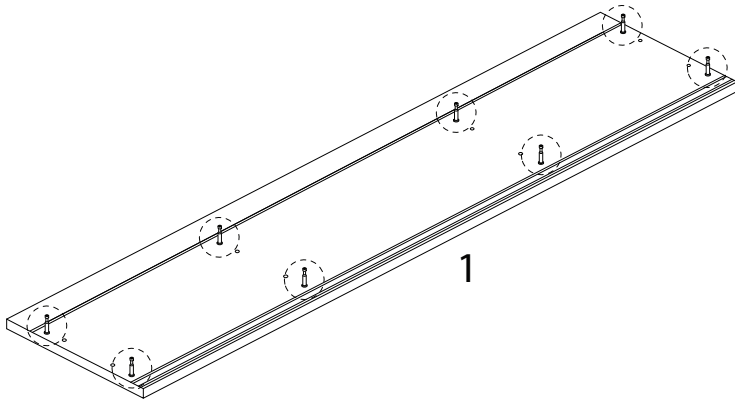
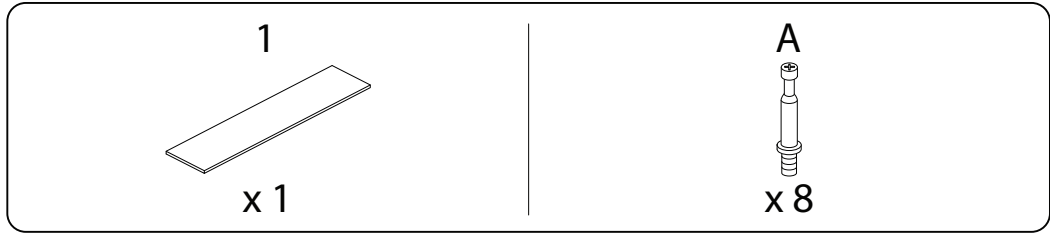
x 6

O

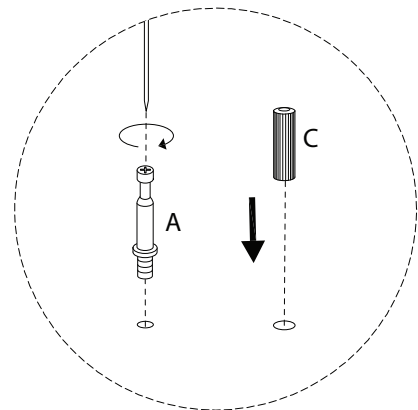
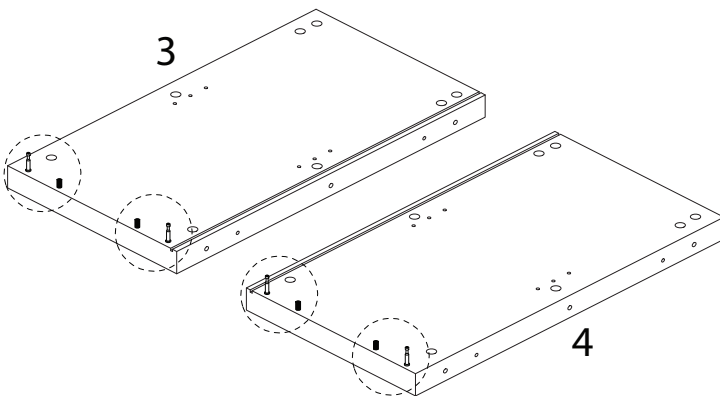
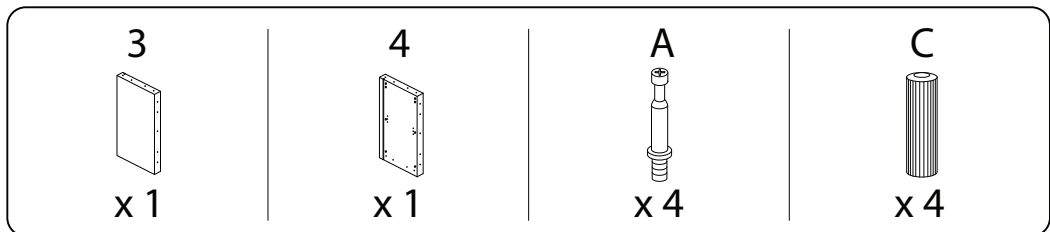


x 12

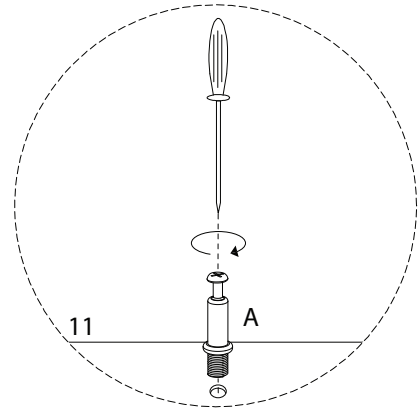
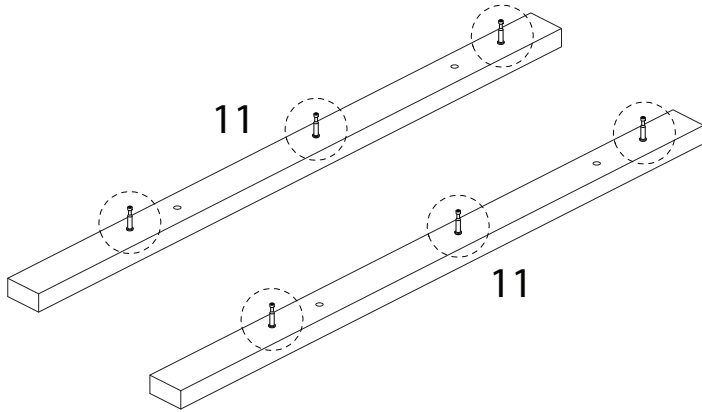
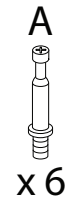
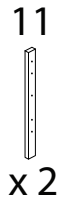
1



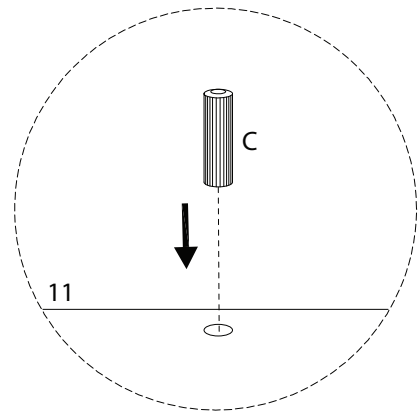
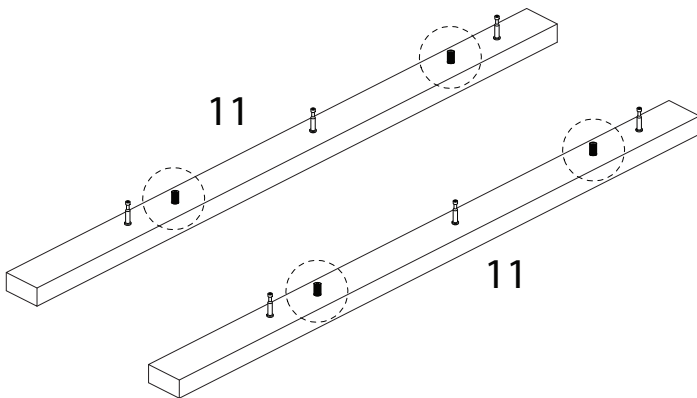
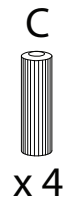
2



3 x 2



4 x 2



5 x 2

12

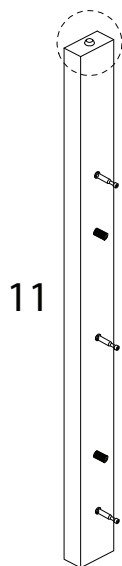


x 1

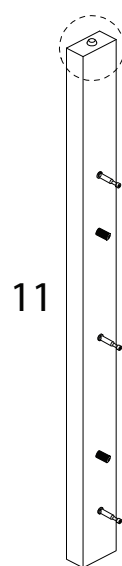
N



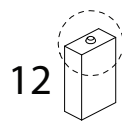
x 3



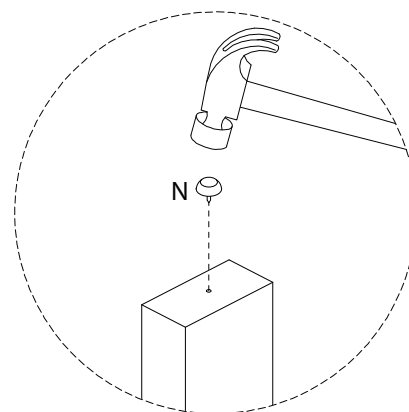
11



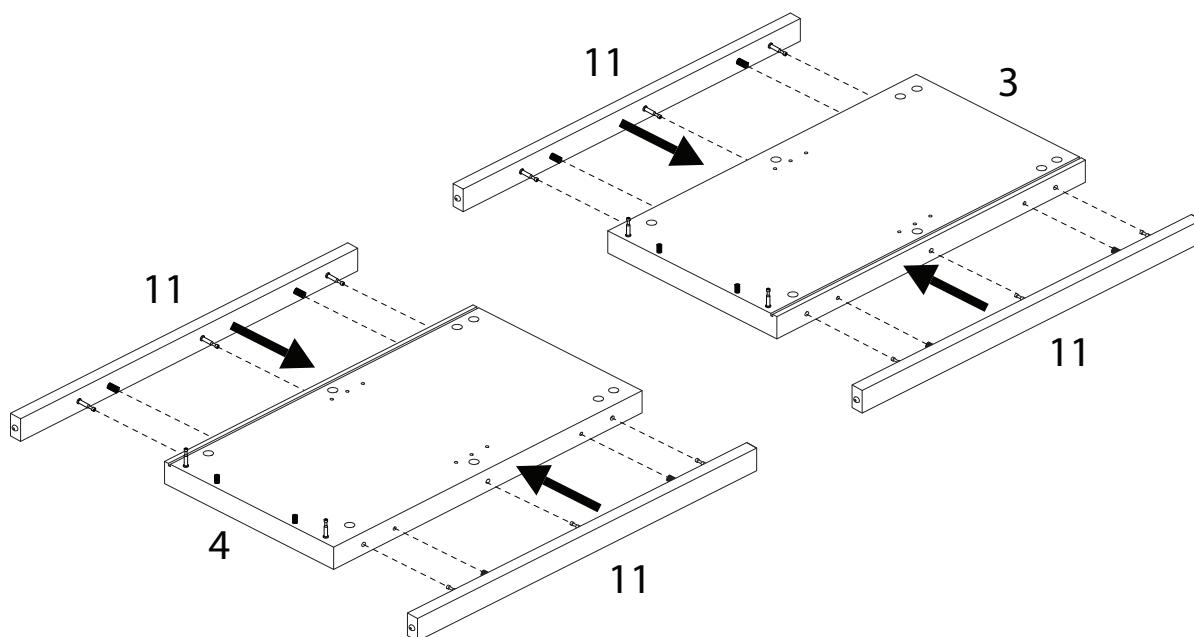
11



12



6

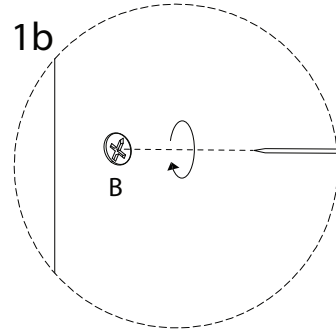
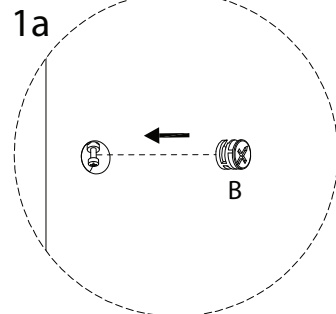
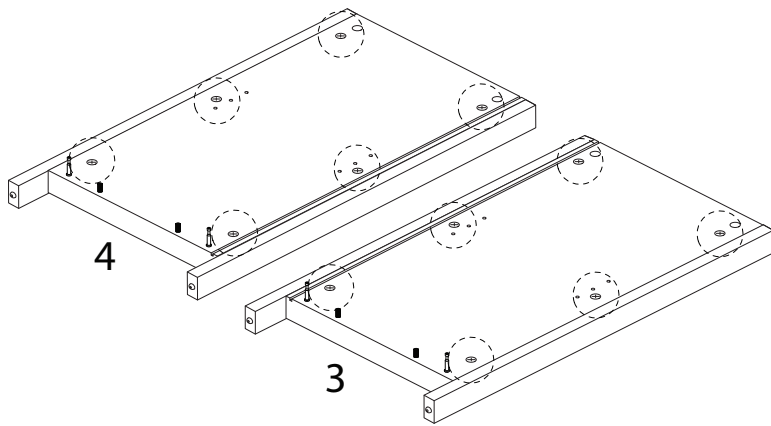


7

B

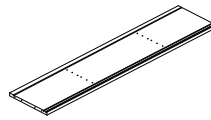


x 12

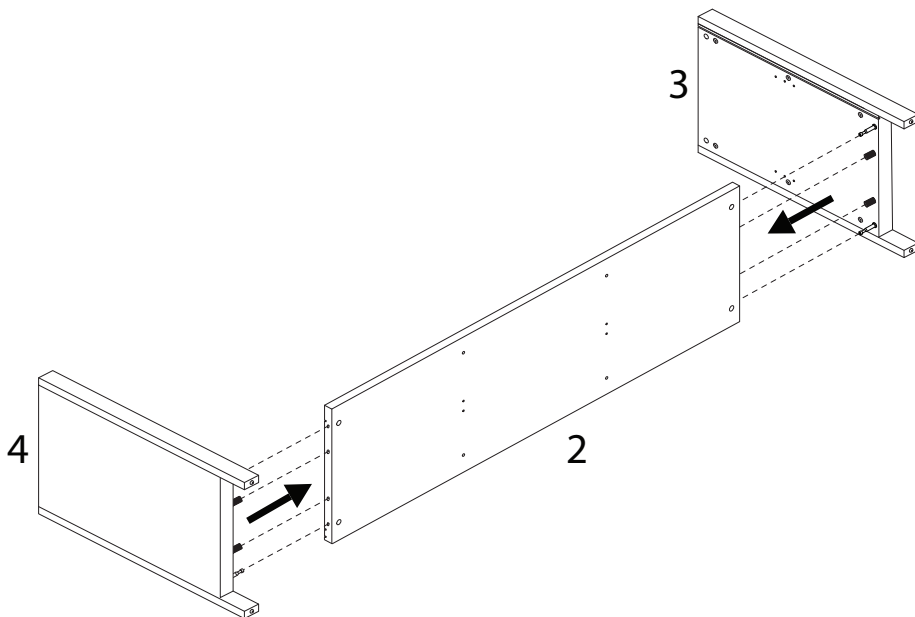


8

2



x 1

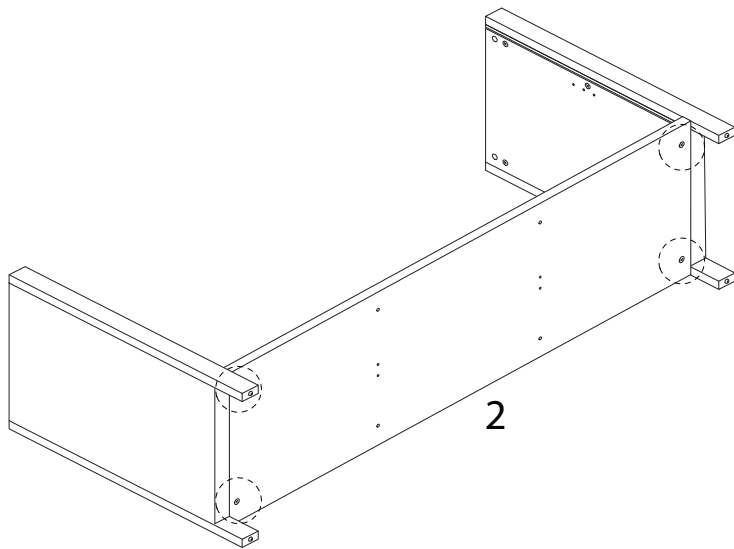


9

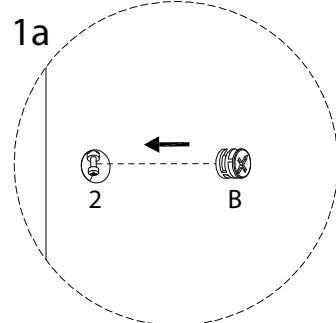
B



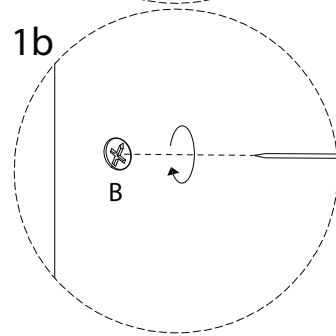
x 4



1a



1b



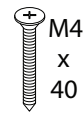
10

12

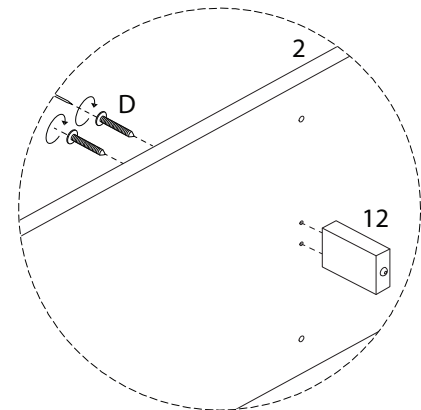
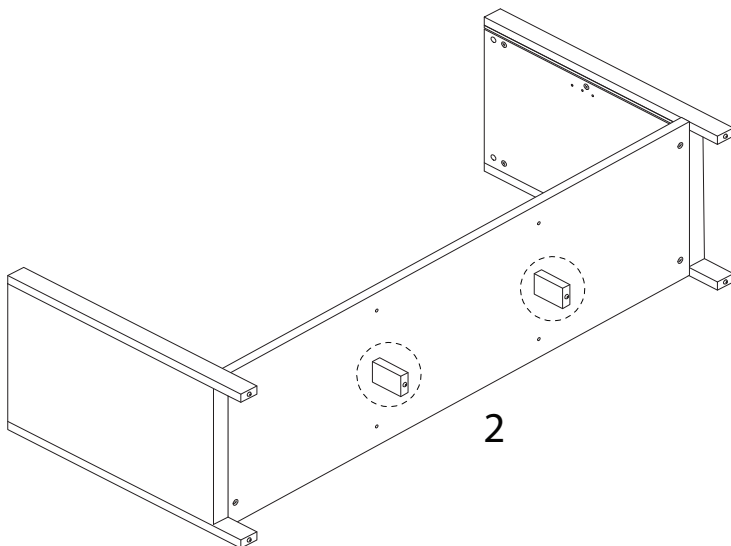


x 2

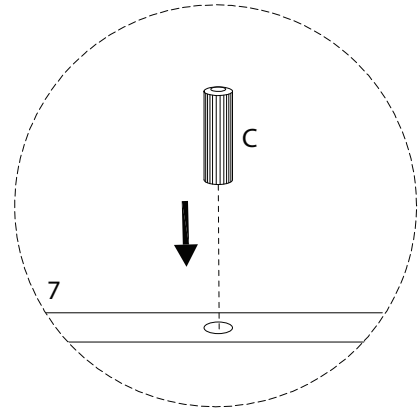
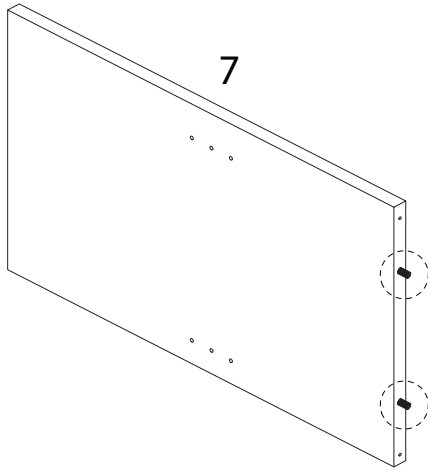
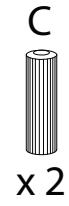
D



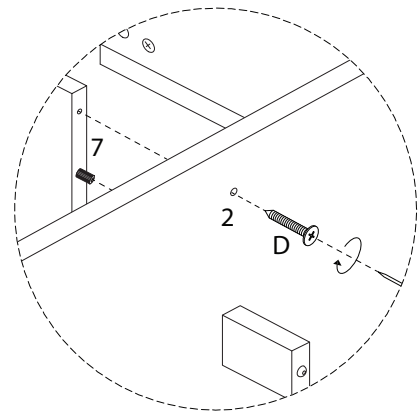
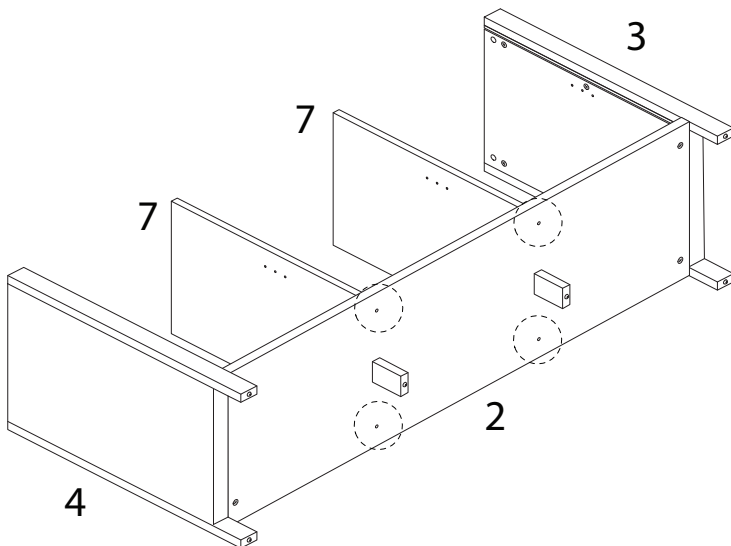
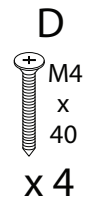
x 4



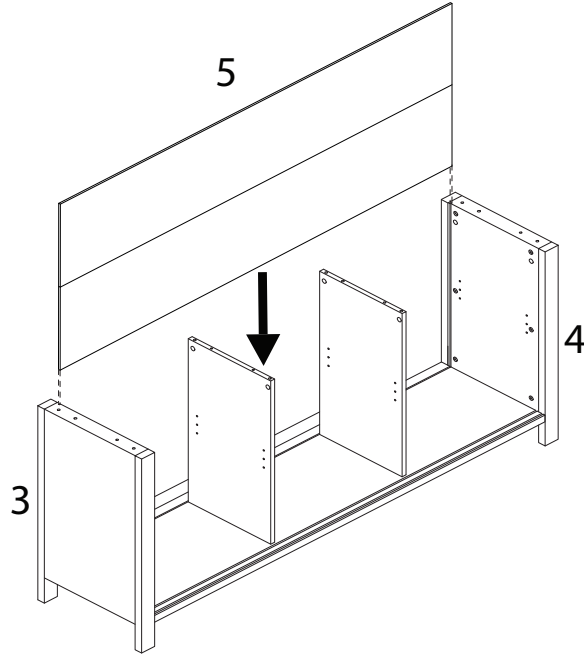
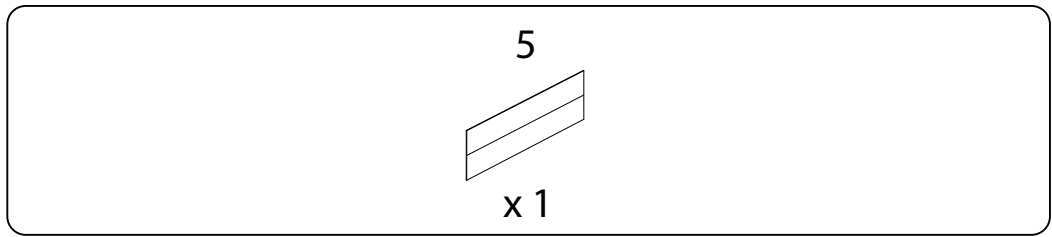
11 x 2



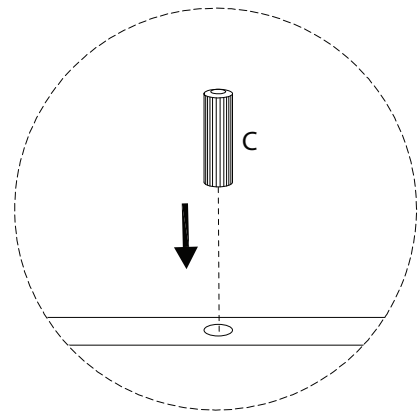
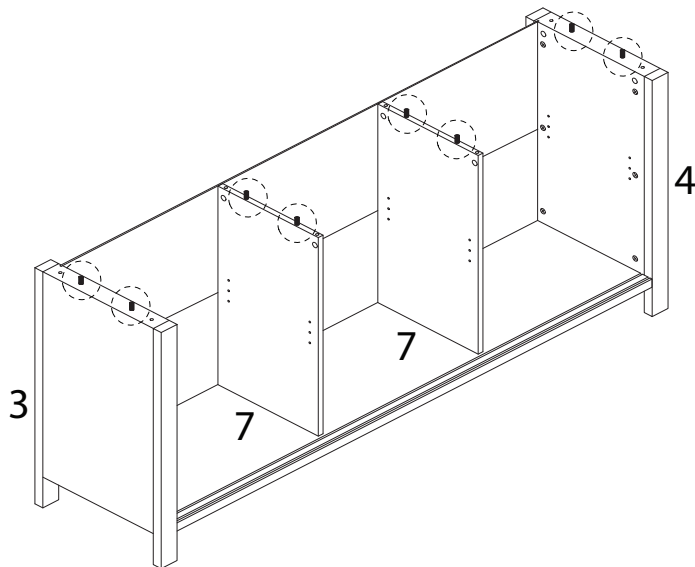
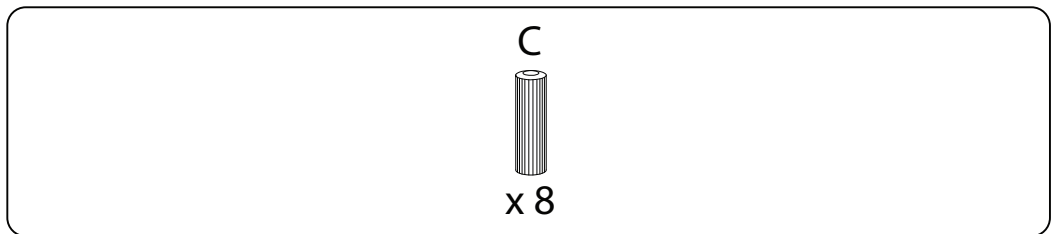
12



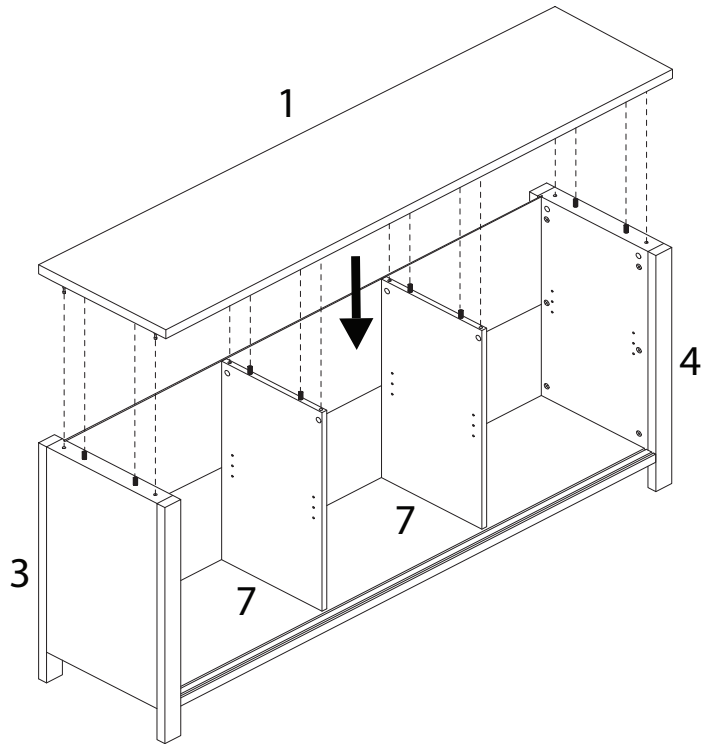
13



14



15

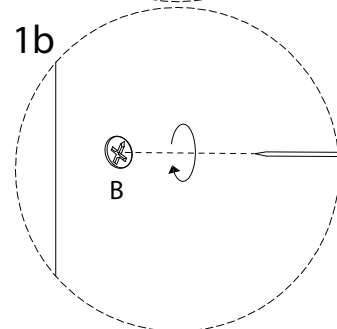
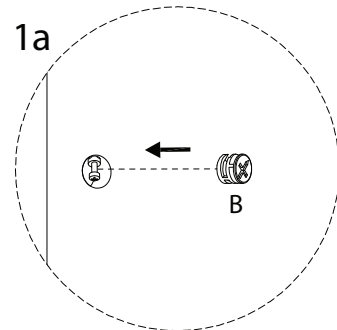
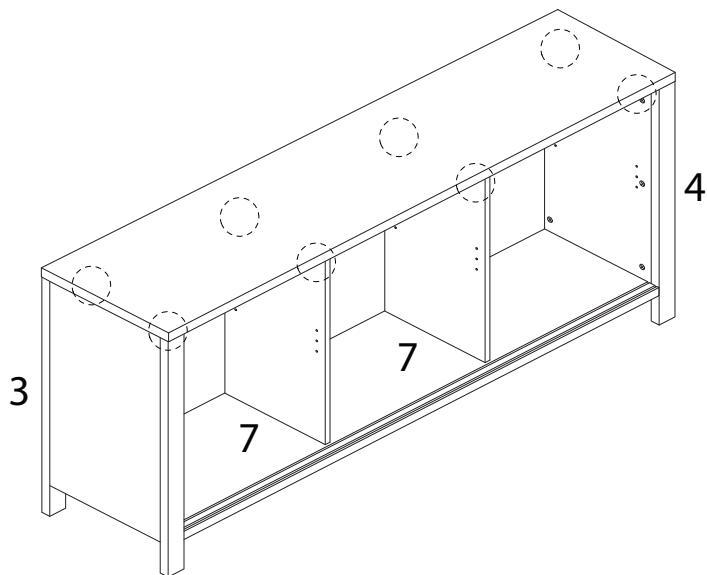


16

B

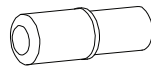


x 8

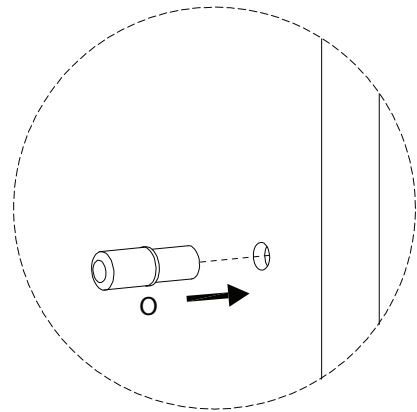
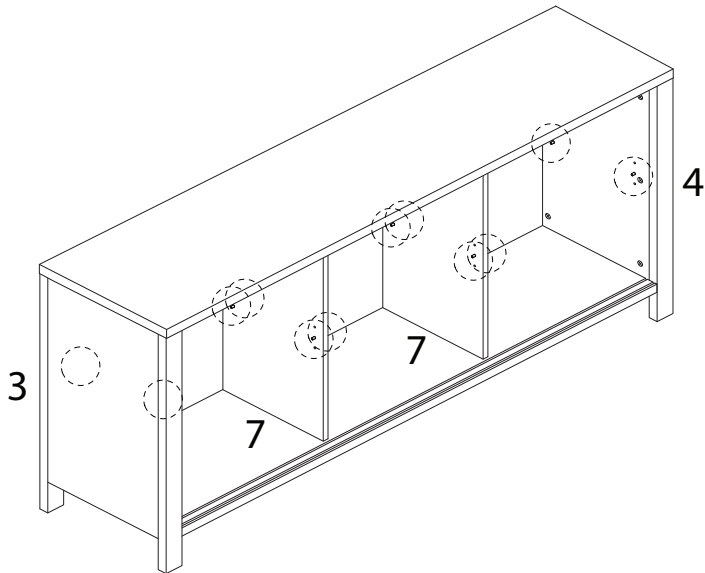


17

0

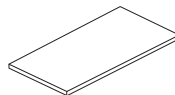


x 12

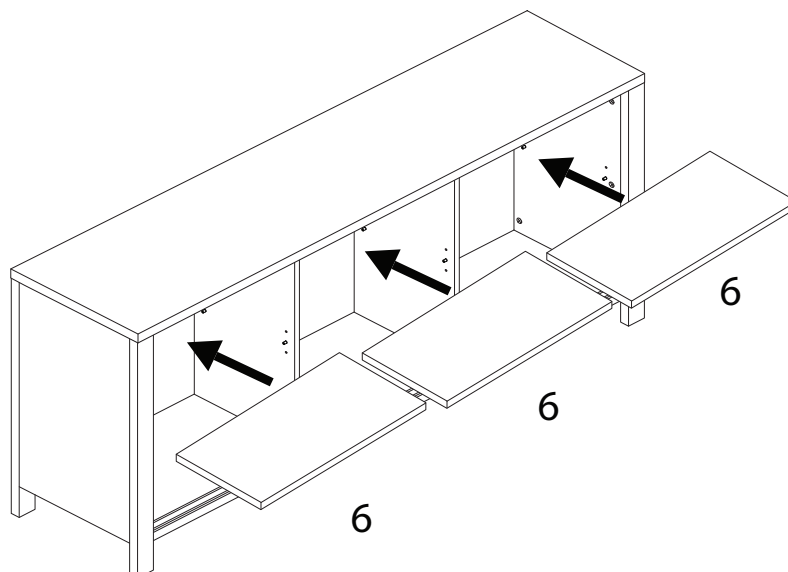


18

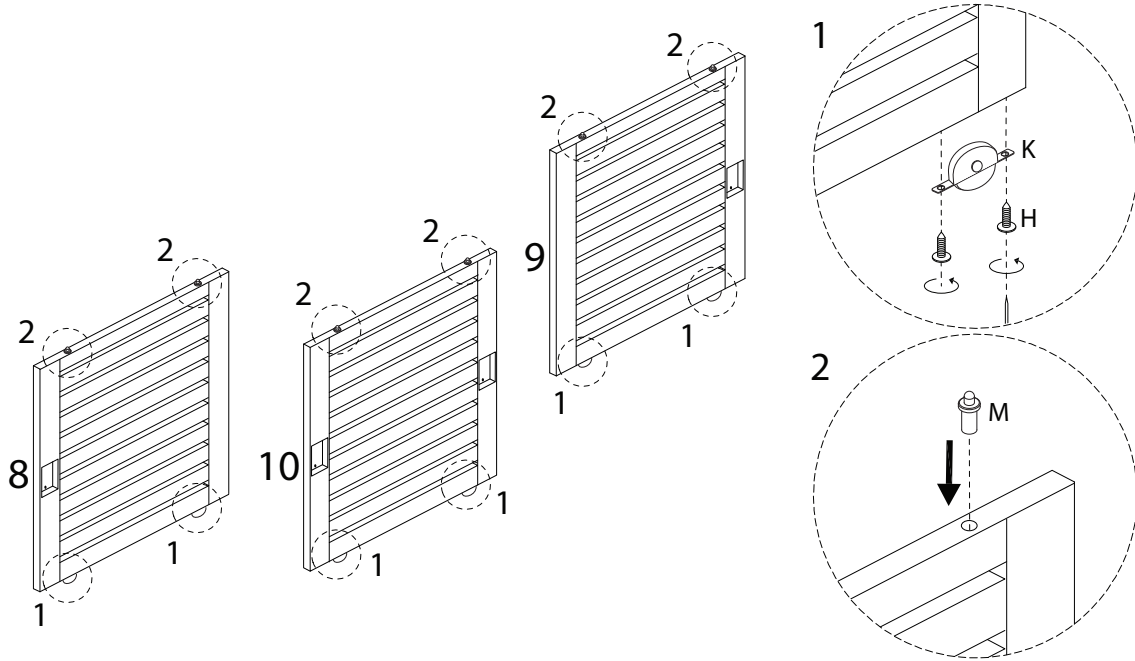
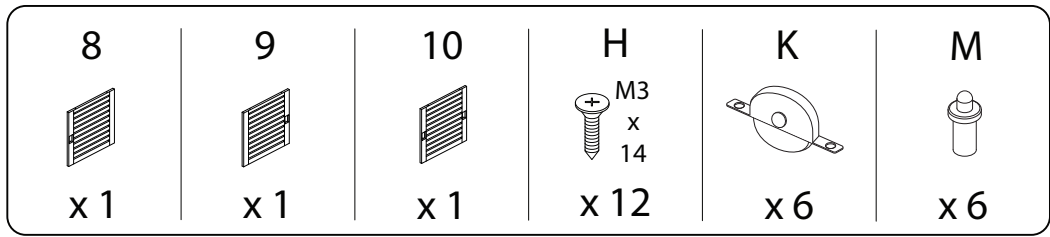
6



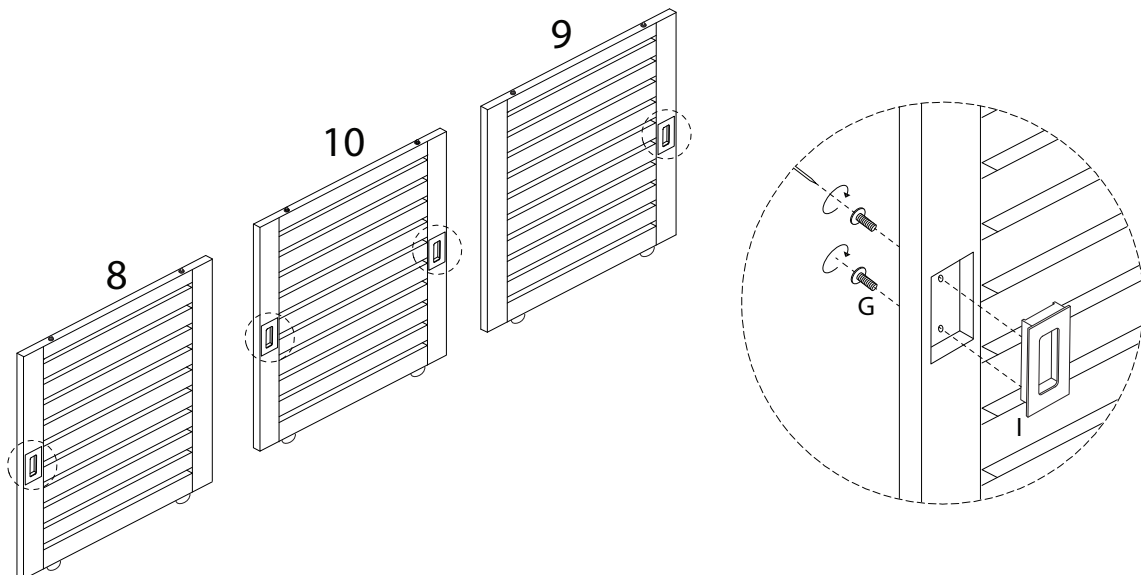
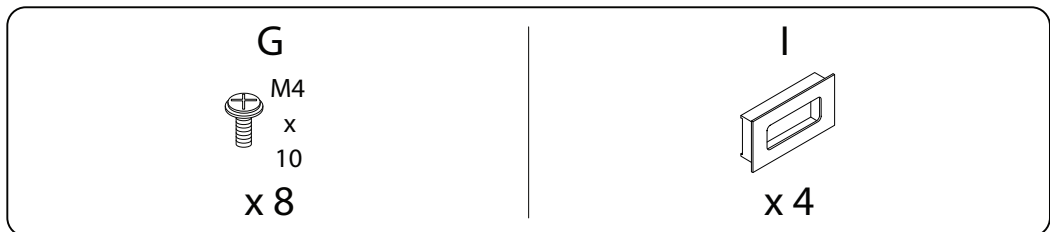
x 3



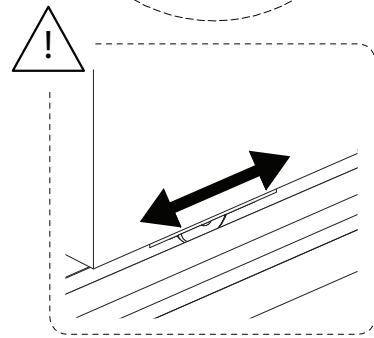
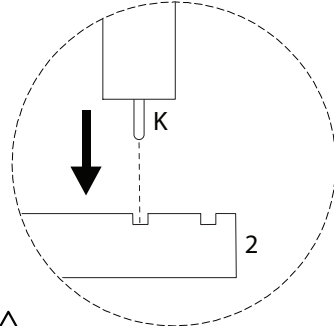
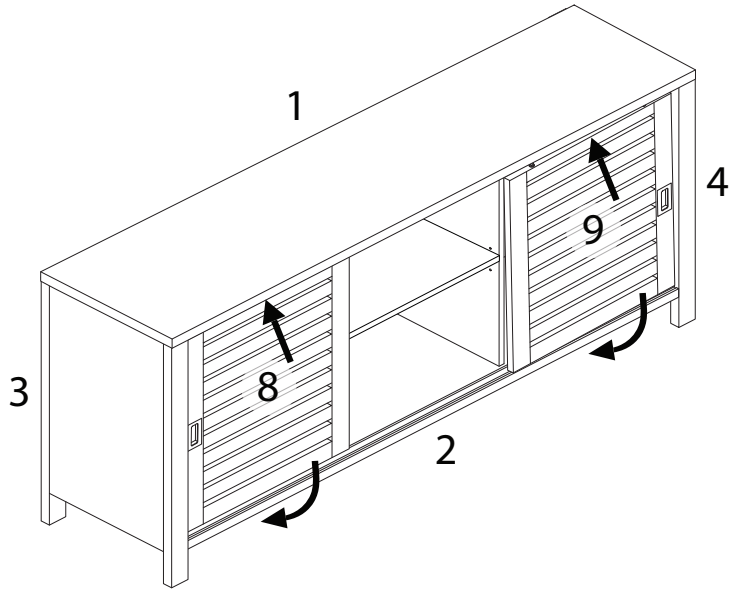
19



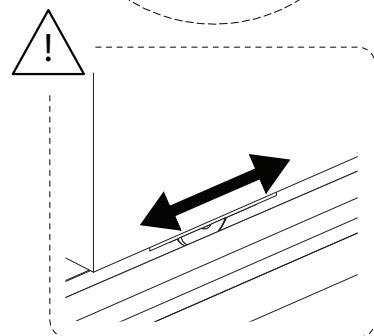
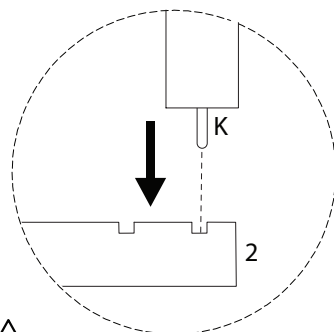
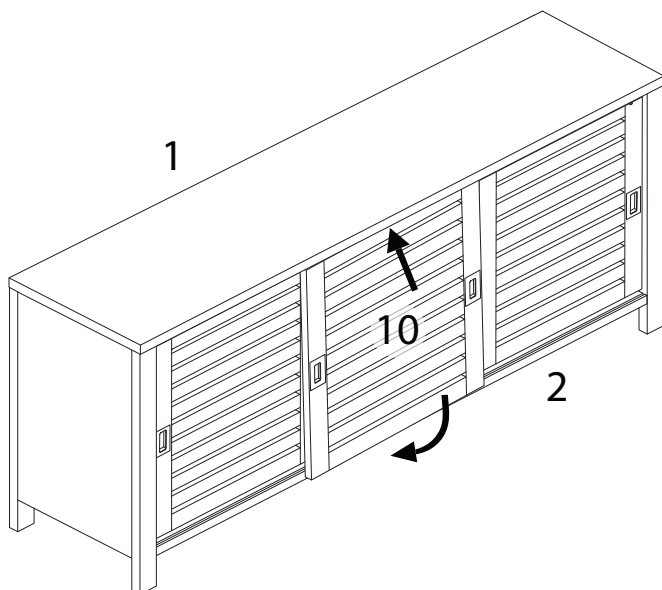
20



21

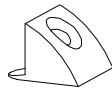


22



23

J

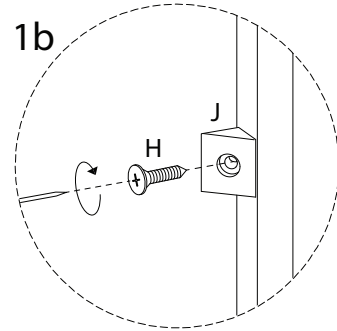
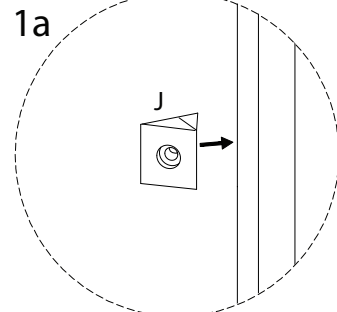
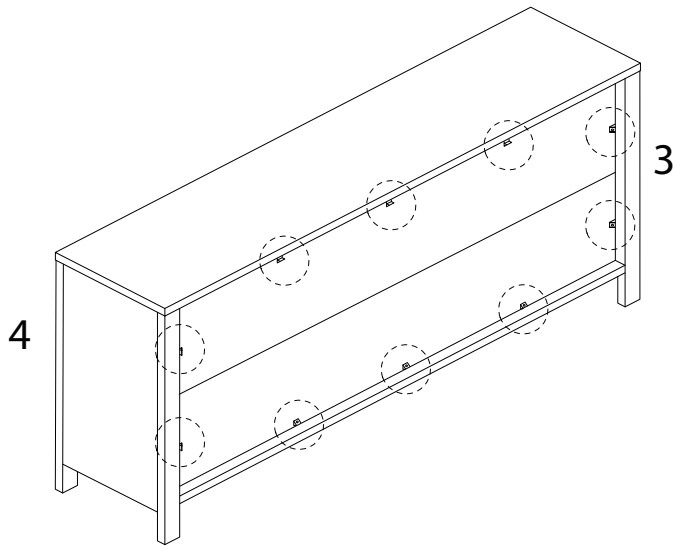


x 10

H

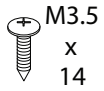


x 10



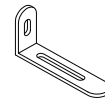
24

E

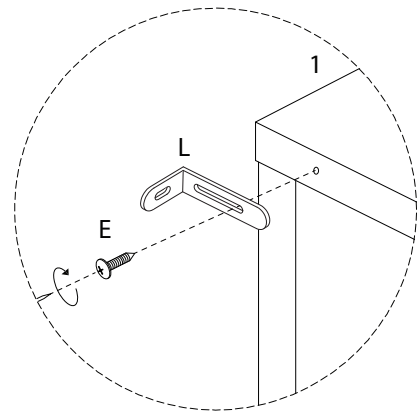
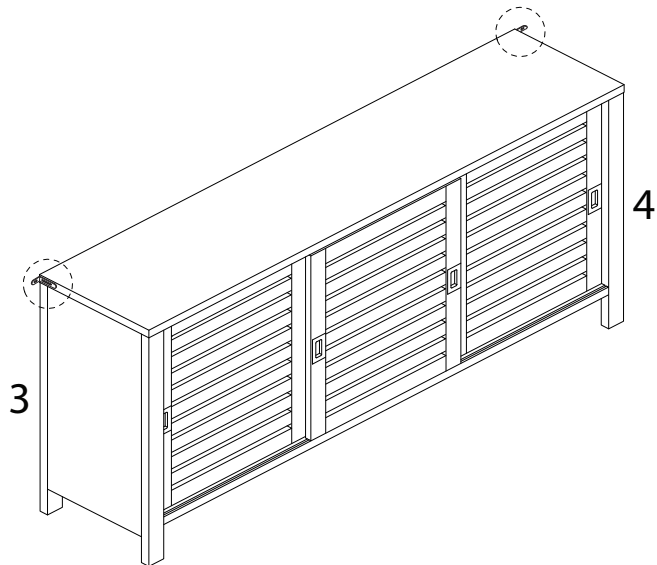


x 2

L



x 2



25

