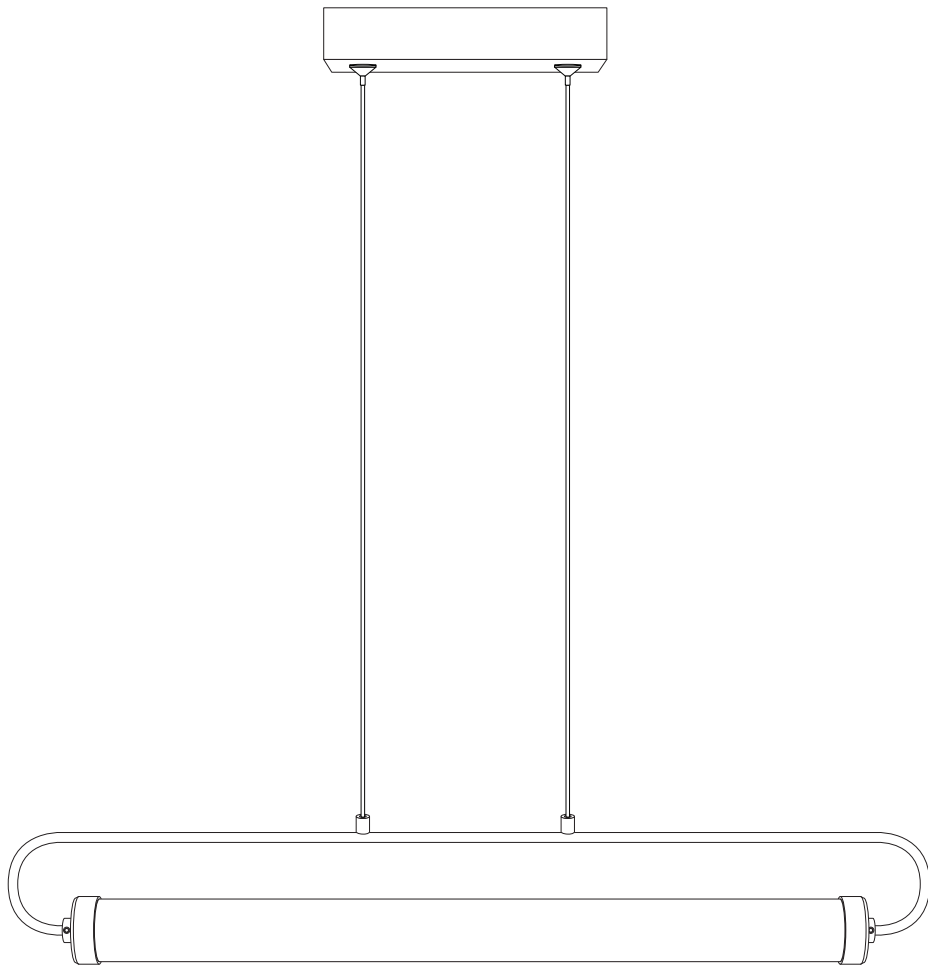
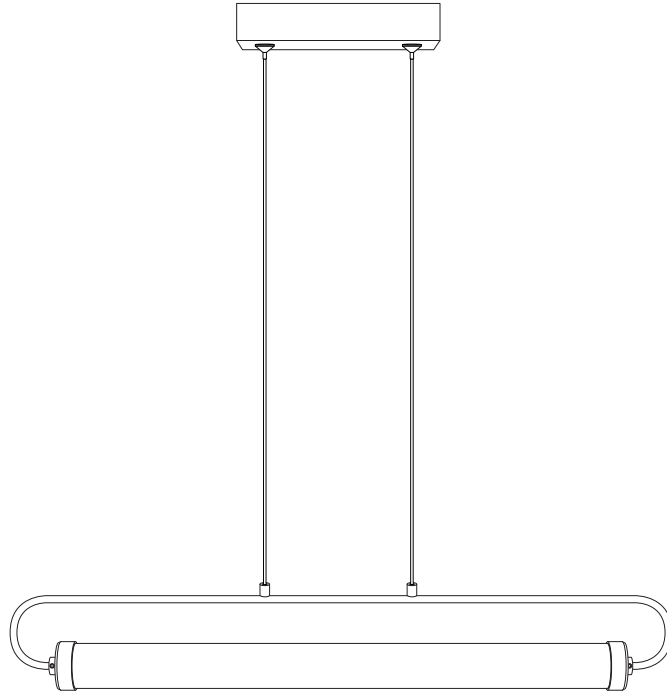
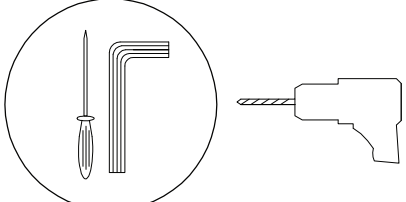

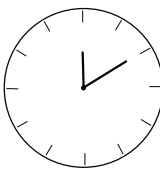
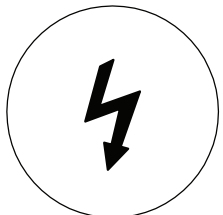


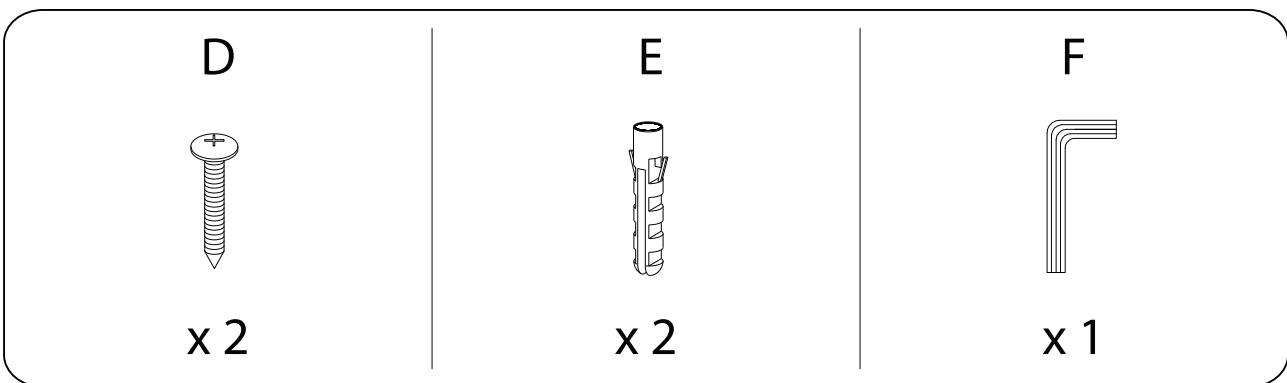
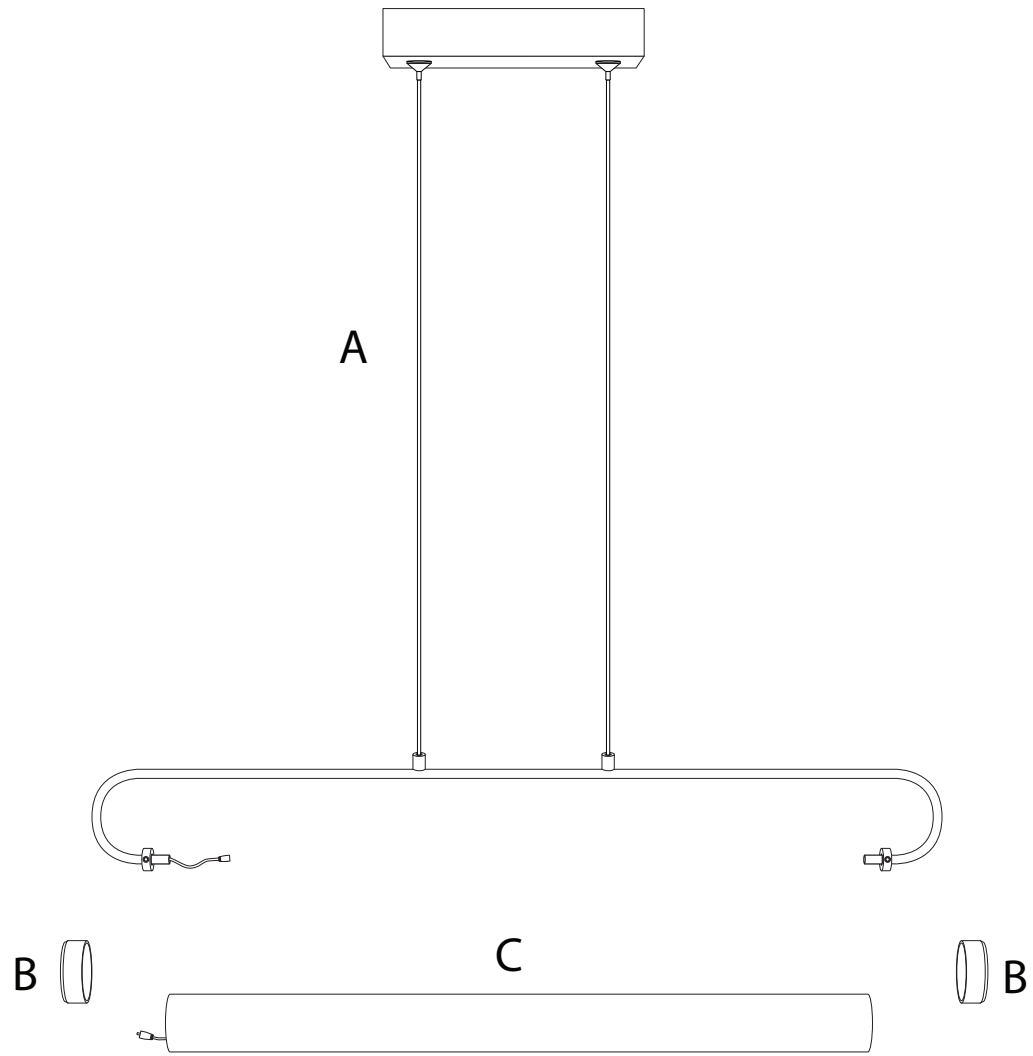
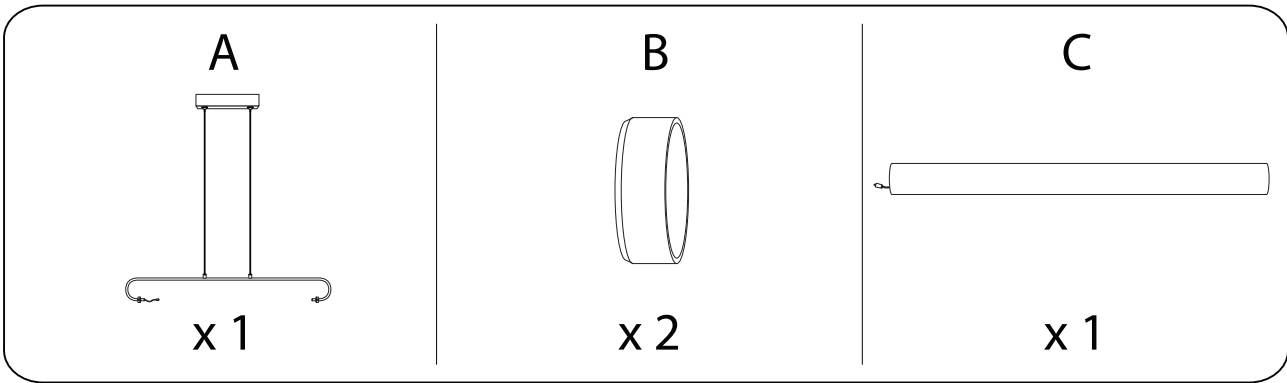


HENRY

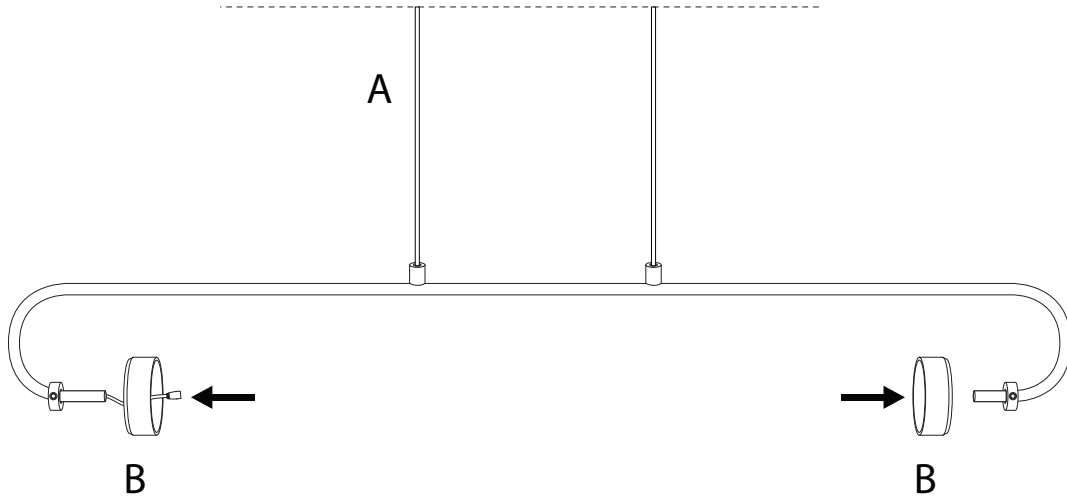
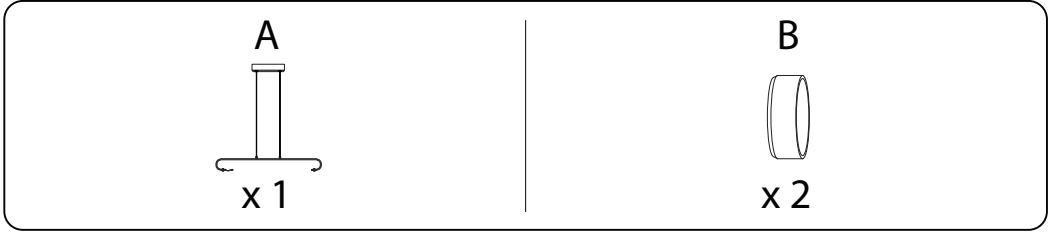




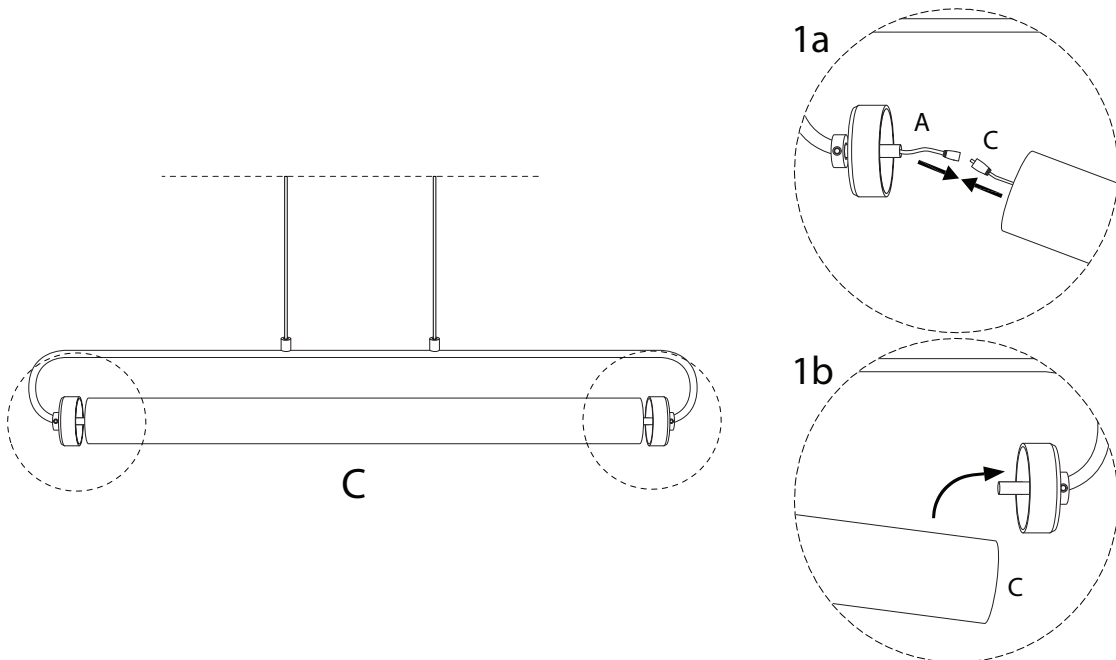
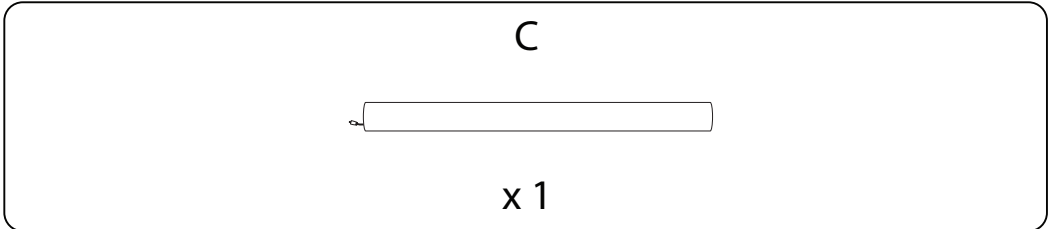
		
		10'
		
		1



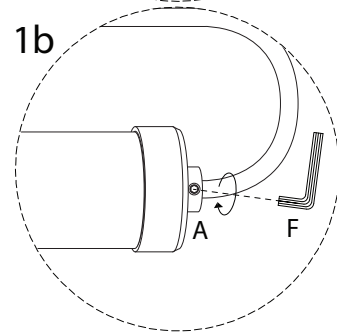
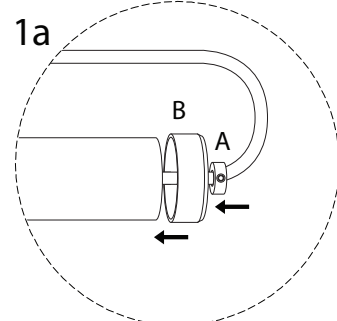
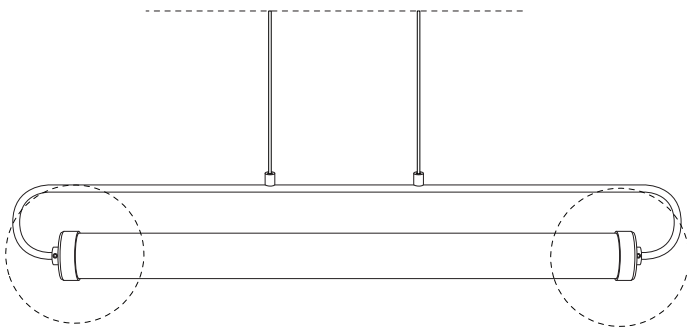
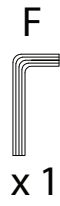
1



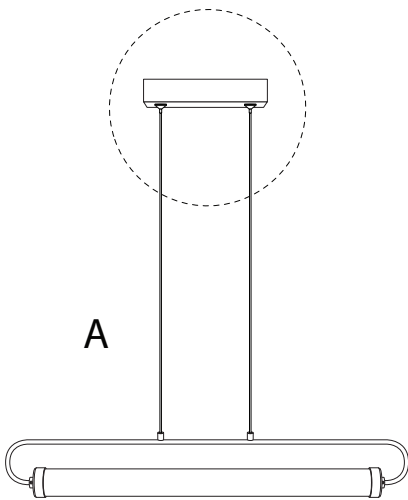
2



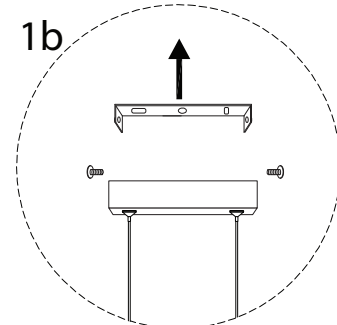
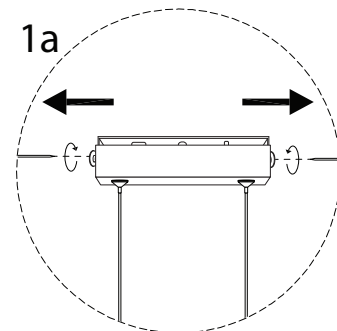
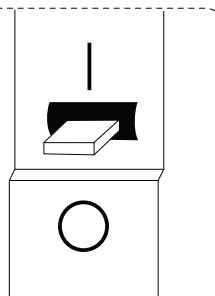
3



4



OFF



5

D

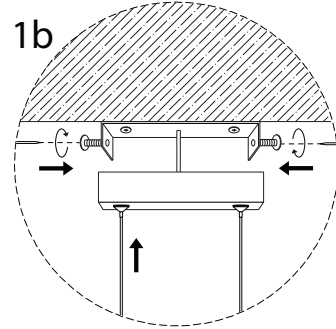
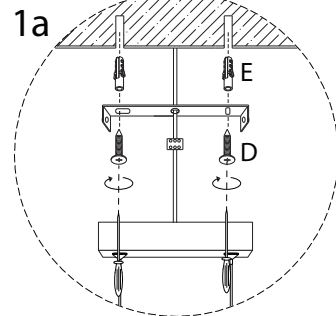
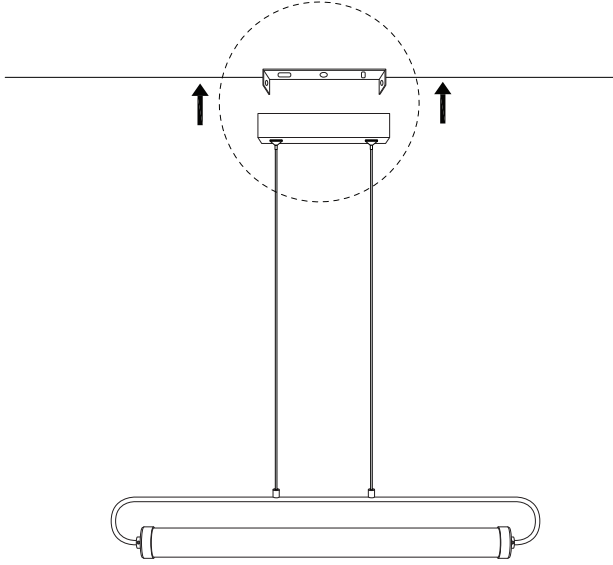


x 2

E



x 2



!

