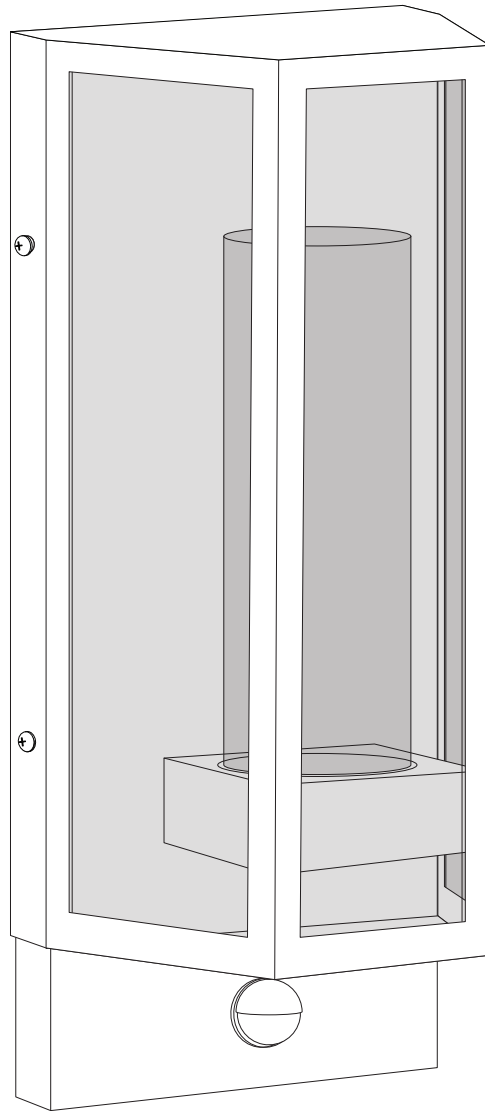
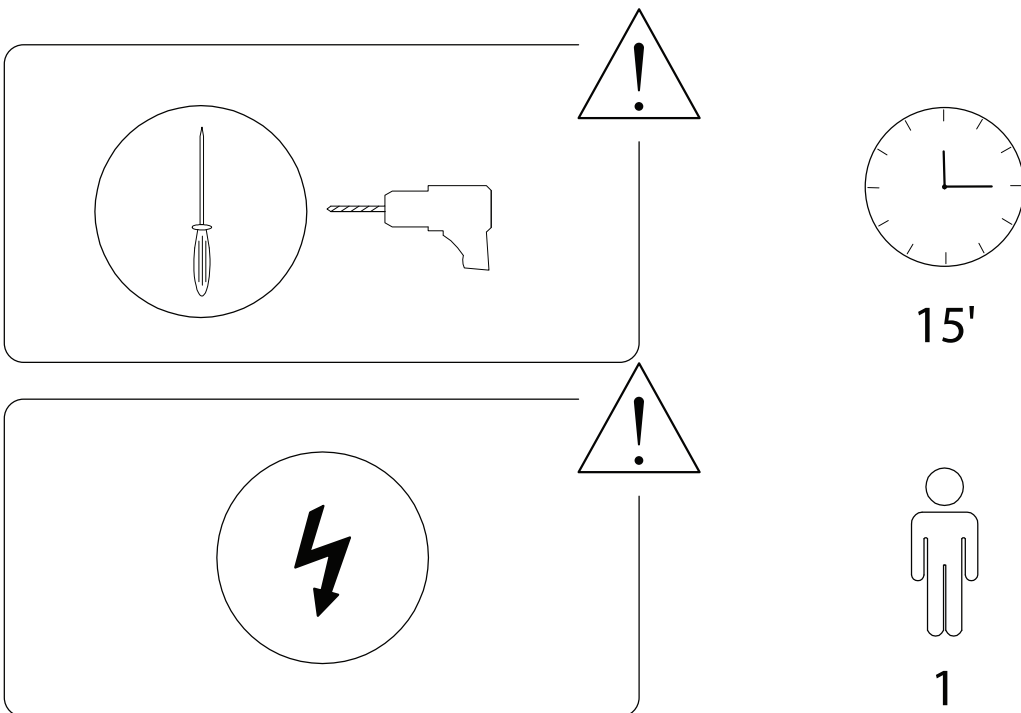
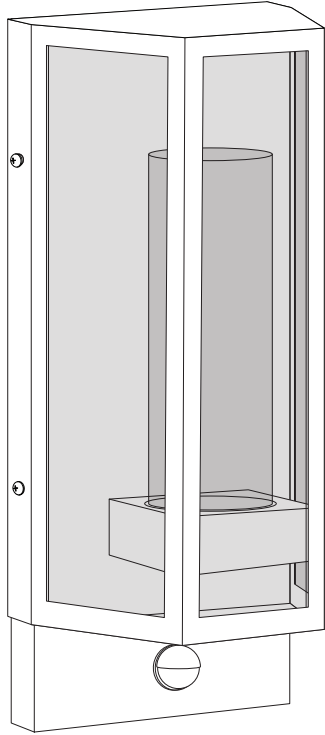
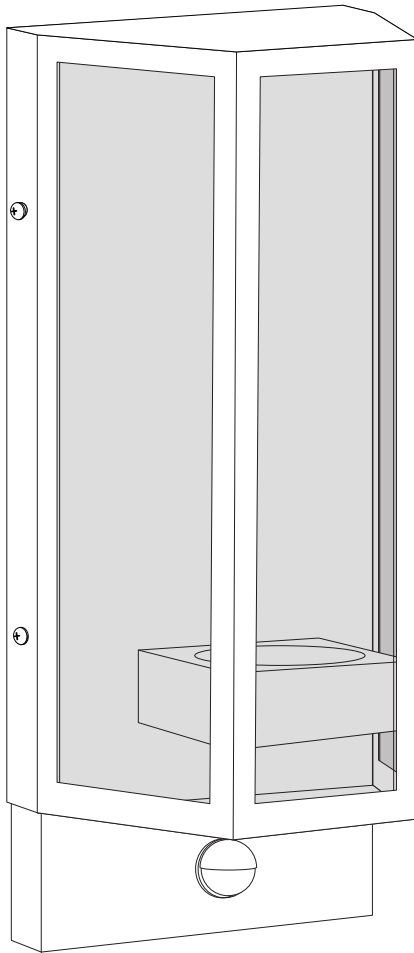


FRUID

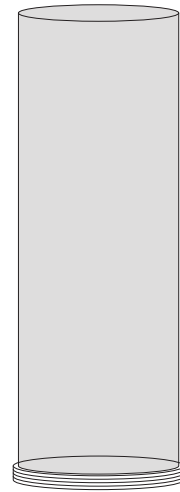




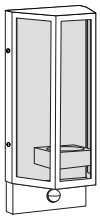
A



B

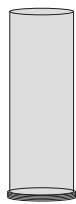


A



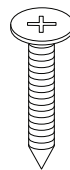
x 1

B



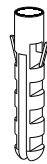
x 1

C



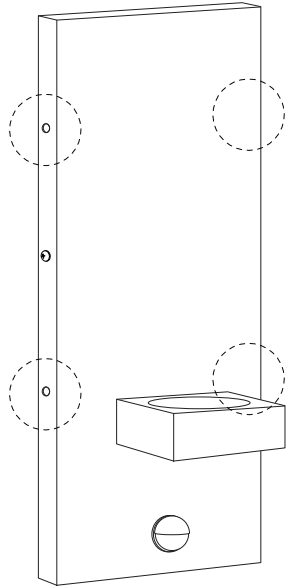
x 2

D

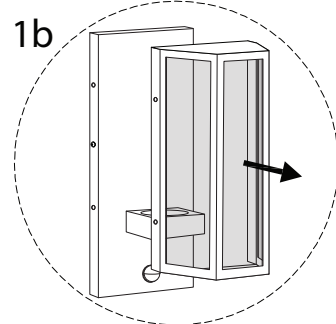
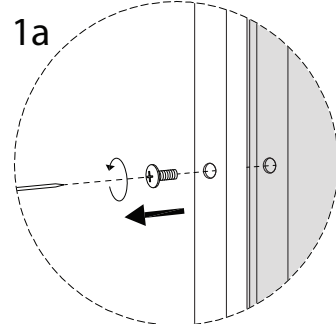


x 2

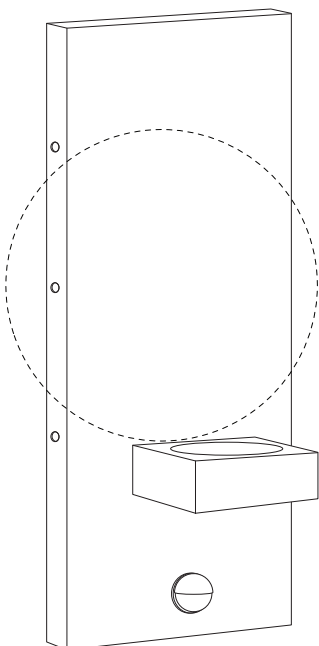
1



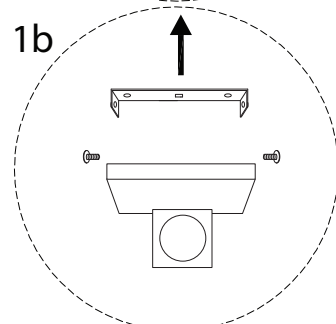
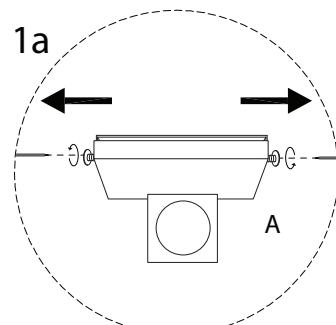
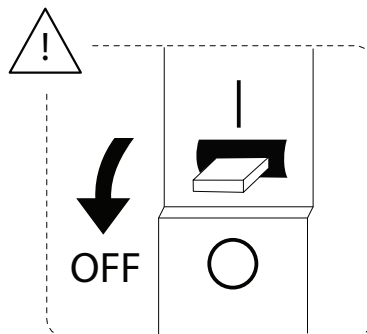
A



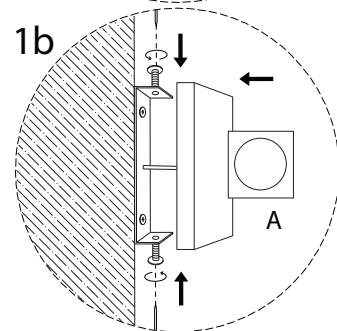
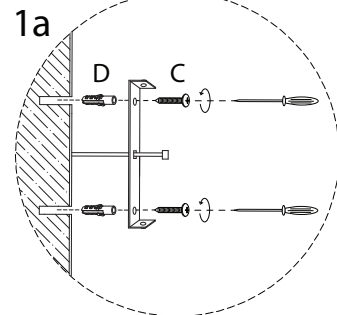
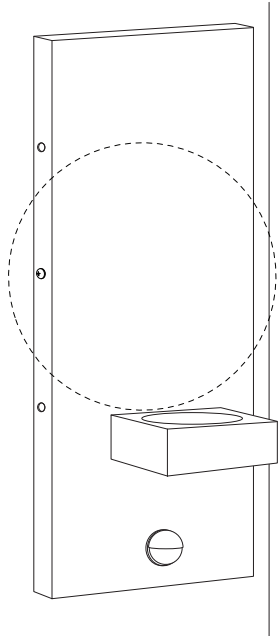
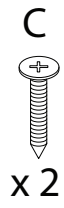
2



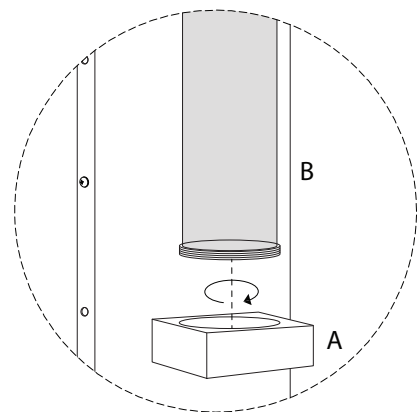
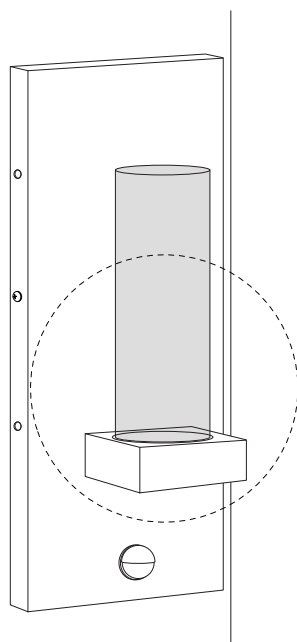
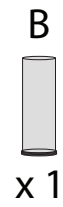
A



3



4



5

