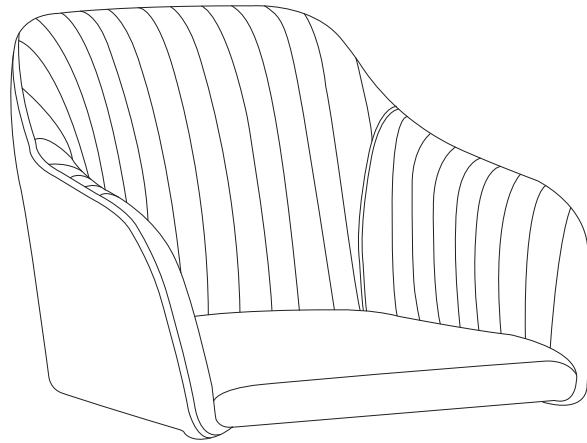
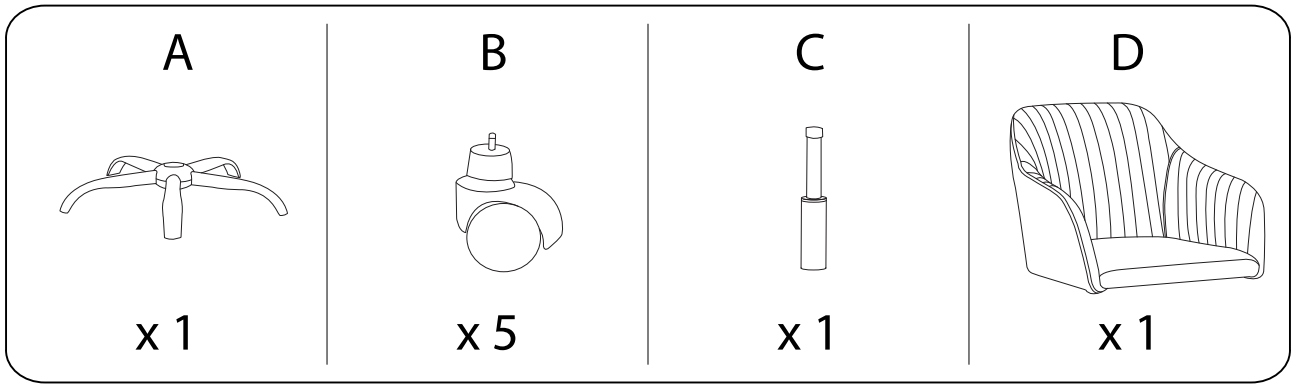


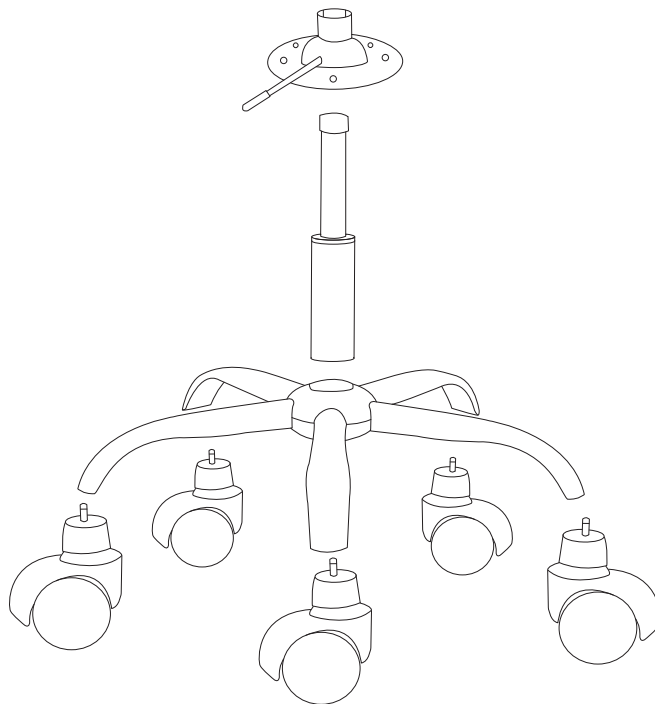


Assembly instructions and warnings:

- Warning 1:** Do not use a power drill. Use an Allen key (shown in a circle) to tighten the base.
- Warning 2:** Do not place the chair on an uneven surface. Place it on a flat surface (shown in a circle).
- Time:** 30'
- Personnel:** 1



**D x 1**

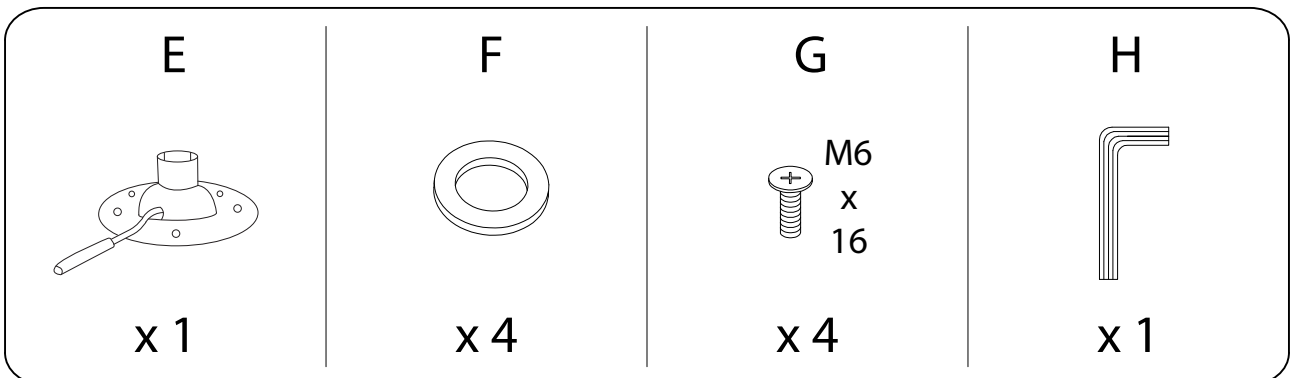


**E x 1**

**C x 1**

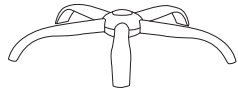
**A x 1**

**B x 5**



1

A

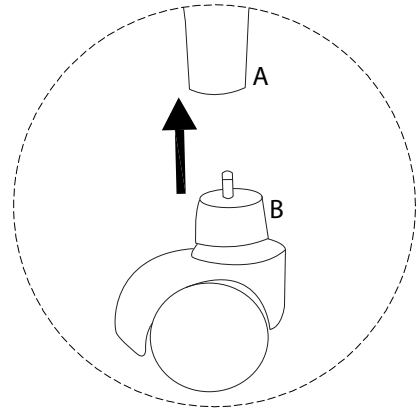
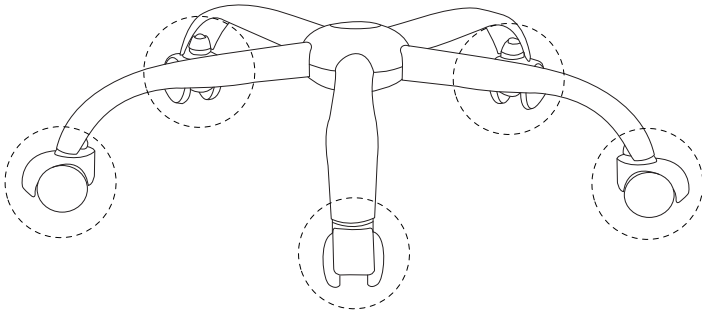


x 1

B



x 5



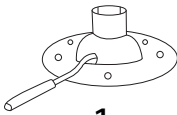
2

D



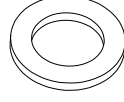
x 1

E



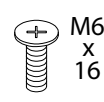
x 1

F



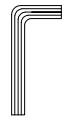
x 4

G

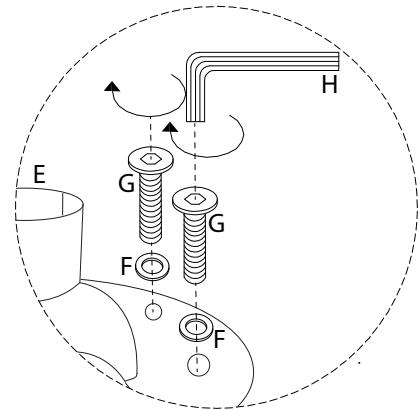
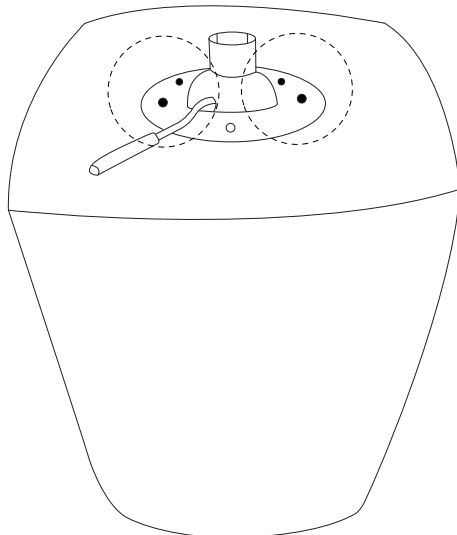


x 4

H



x 1



3

C



x 1

