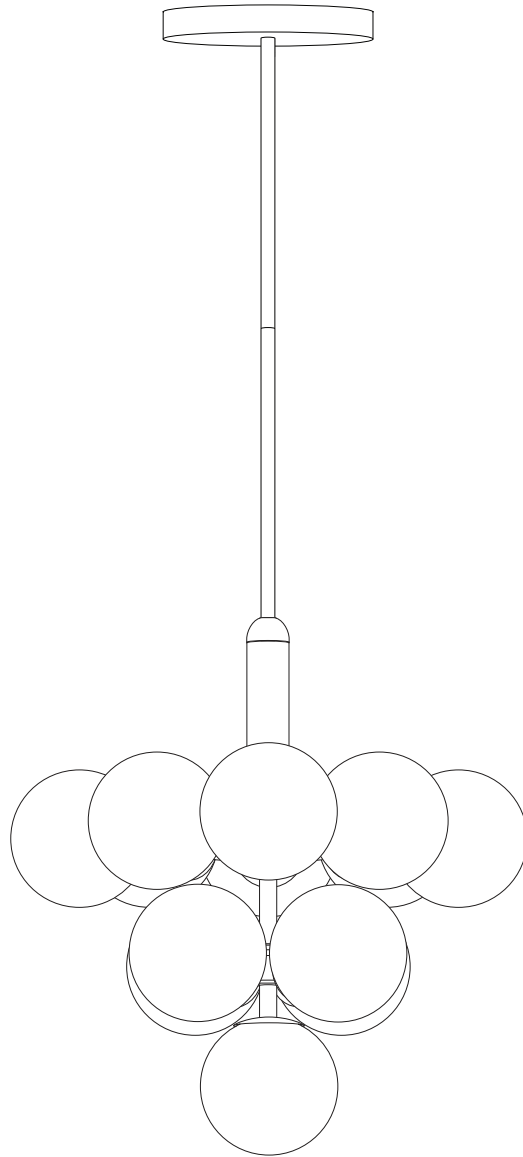
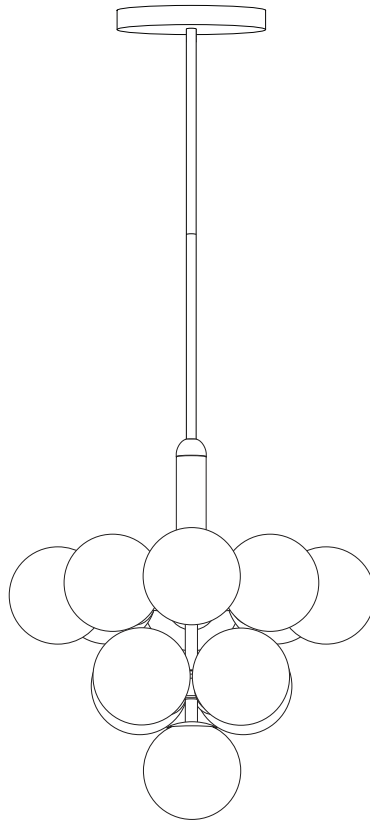


BIRRIE



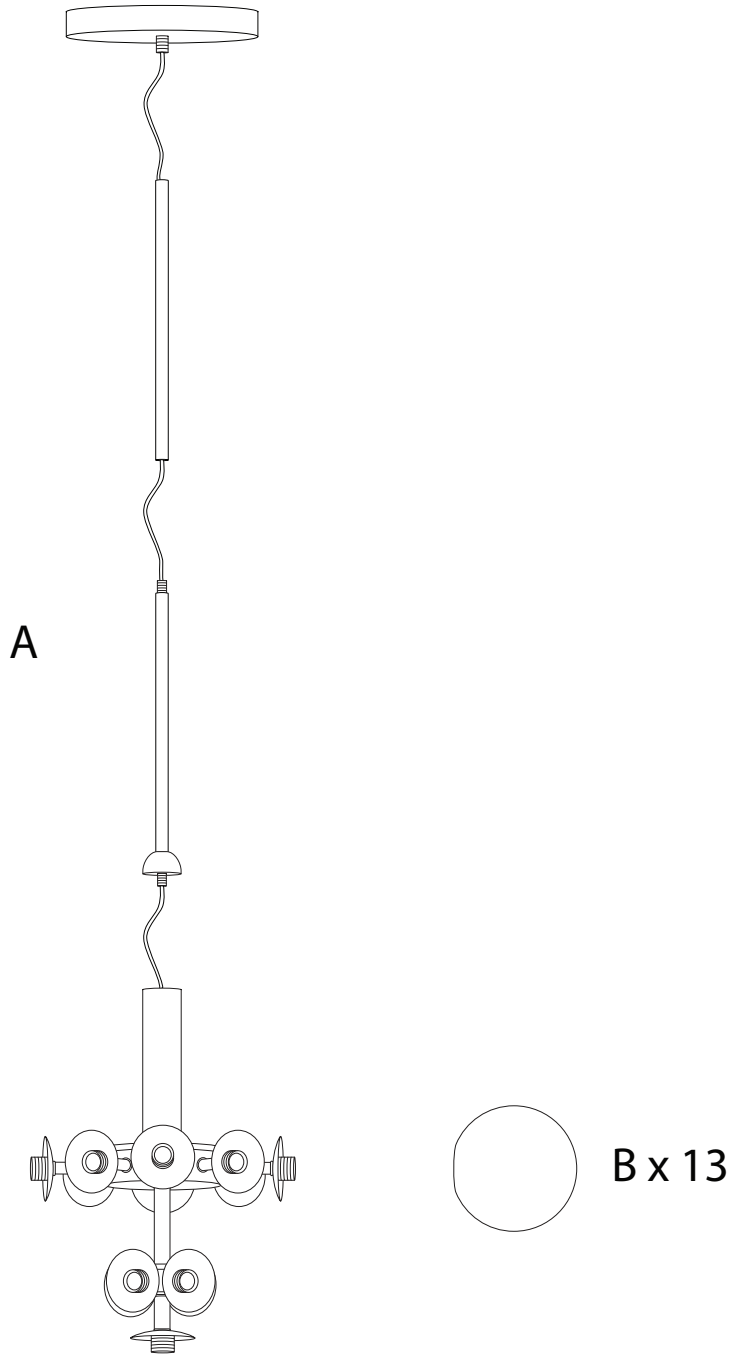


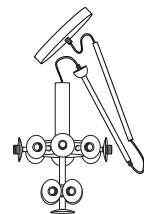
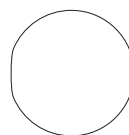
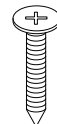

1/5

20'

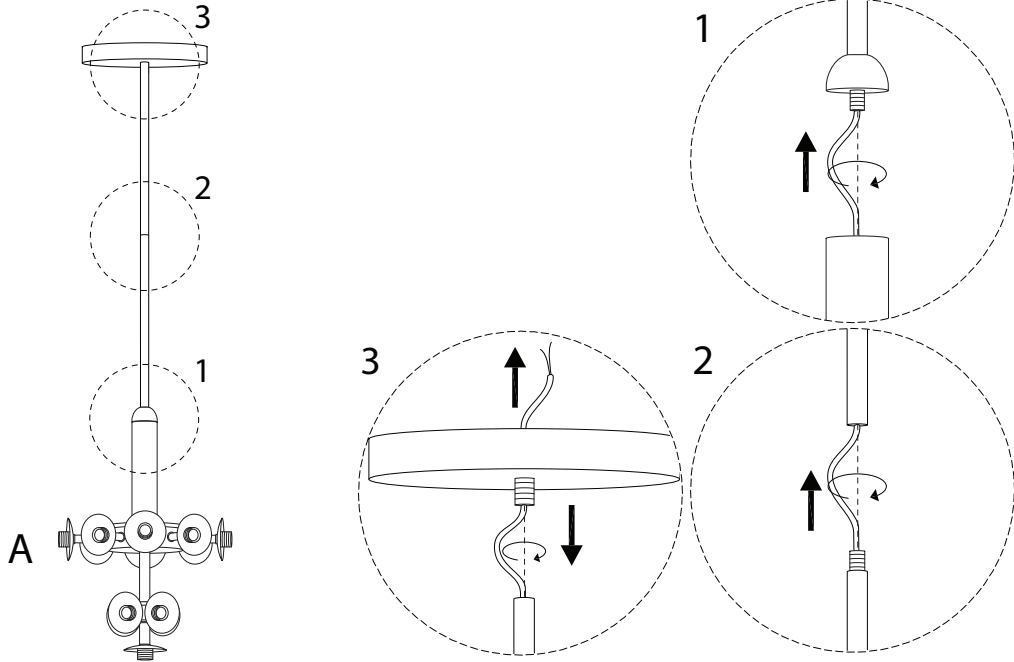
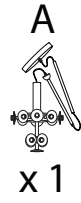
1

A set of icons for step 1/5 of the installation. On the left, a rectangular box contains a circular icon of a screwdriver and a circular icon of a power drill. To the right of this box is a triangular warning icon with an exclamation mark. Below the box is another rectangular box containing a circular icon with a lightning bolt symbol, representing electricity. To the right of this box is another triangular warning icon with an exclamation mark. To the right of the top warning icon is a clock icon. To the right of the bottom warning icon is a human figure icon. The number '1' is positioned below the human figure icon.

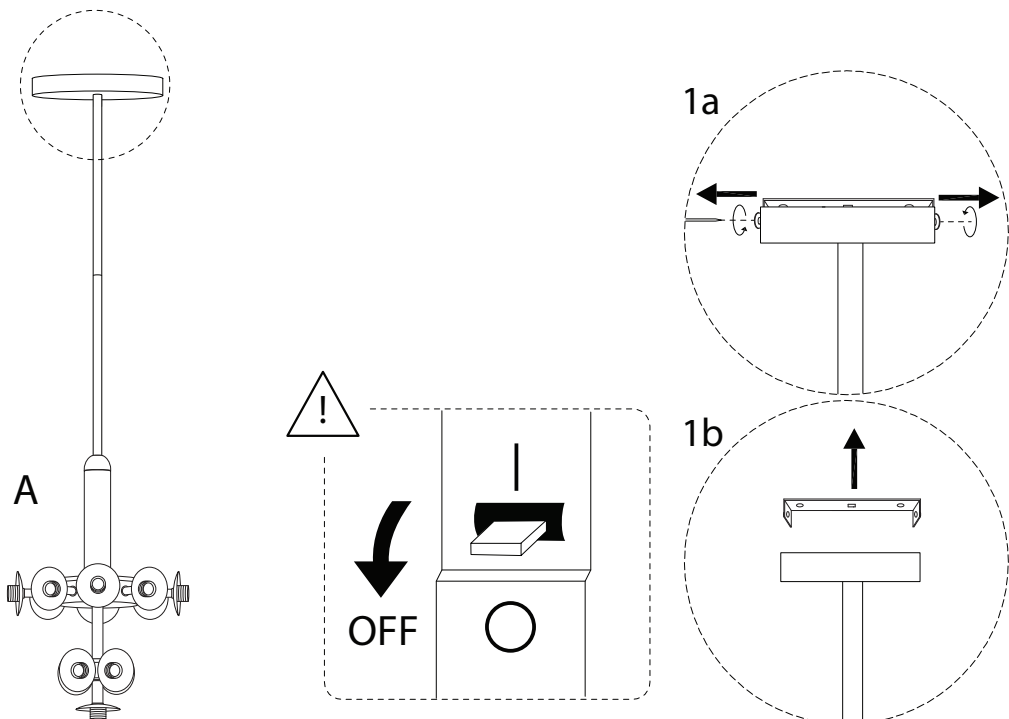


A	B	C	D
 <p data-bbox="271 2004 343 2049">x 1</p>	 <p data-bbox="598 2004 694 2049">x 13</p>	 <p data-bbox="917 2004 997 2049">x 2</p>	 <p data-bbox="1244 2004 1324 2049">x 2</p>

1



2



3

C

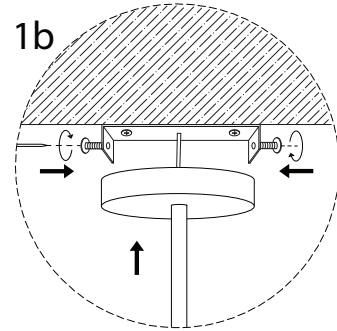
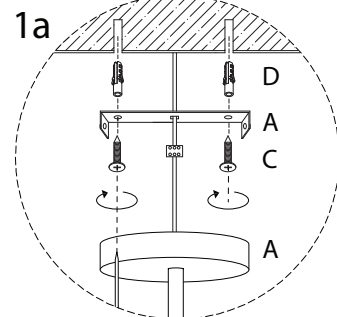
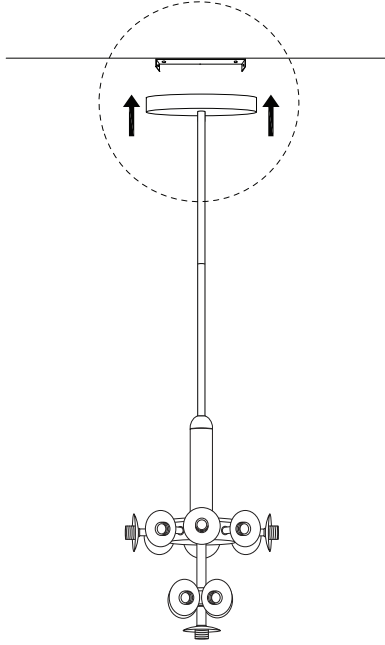


x 2

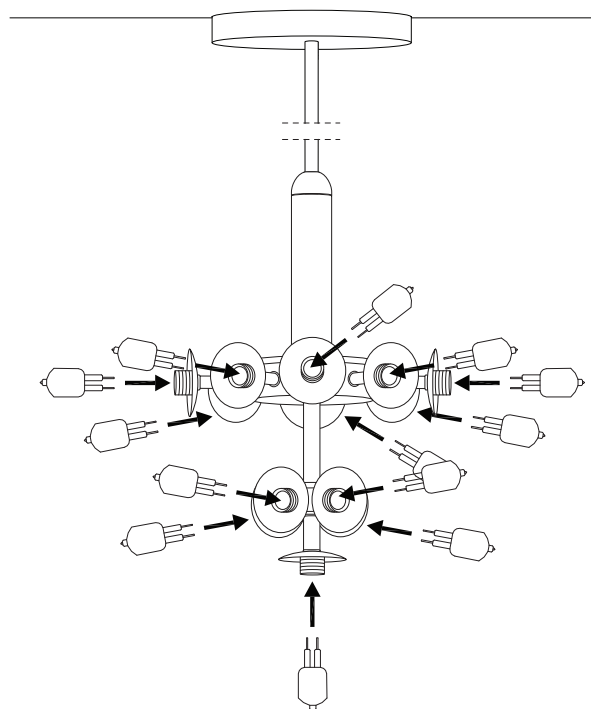
D



x 2



4



5

B



x 13

