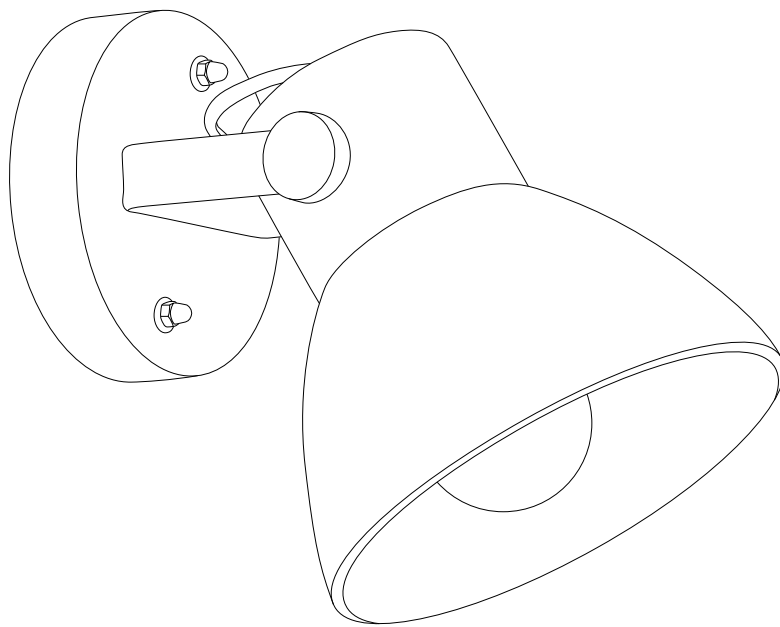
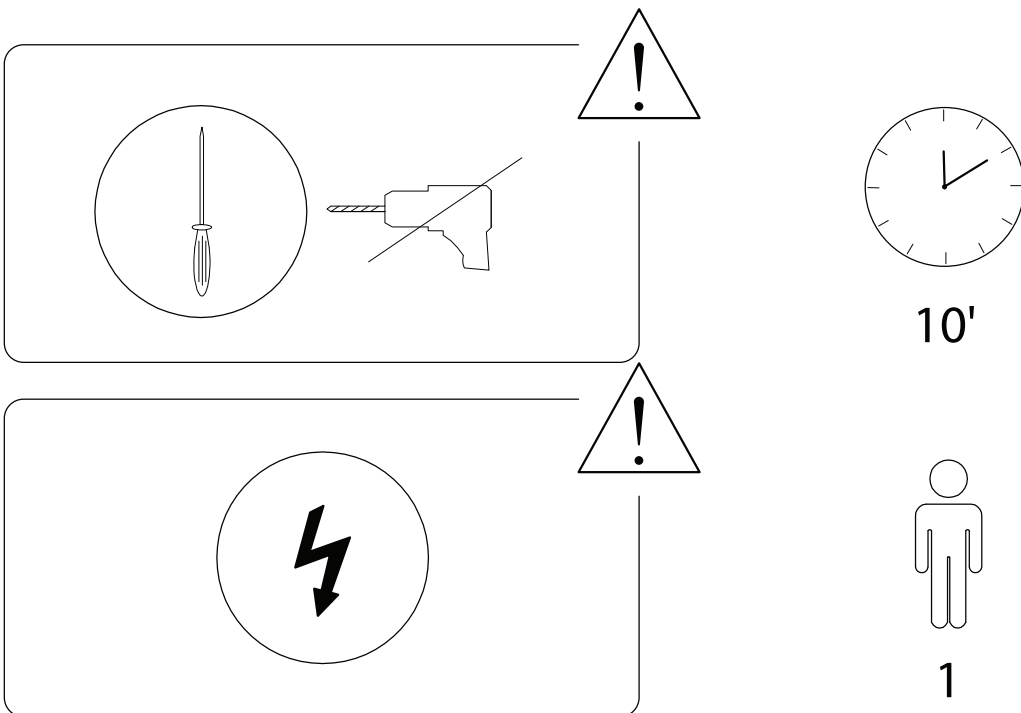
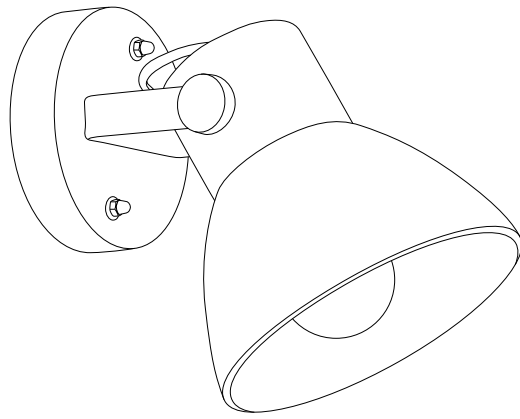
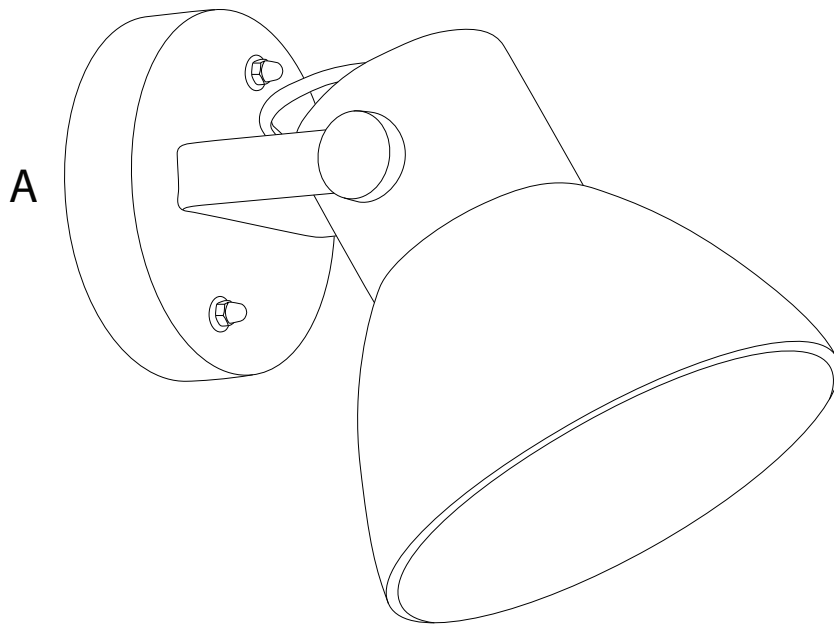


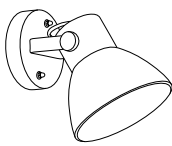
# PERIYAR





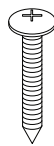


A



x 1

B



x 2

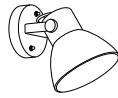
C



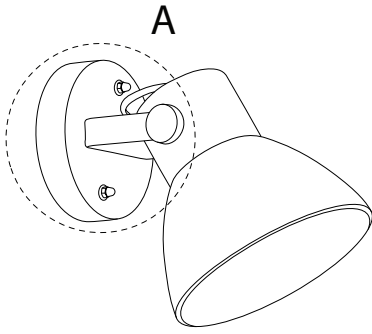
x 2

1

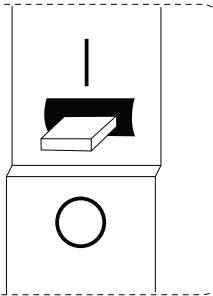
A



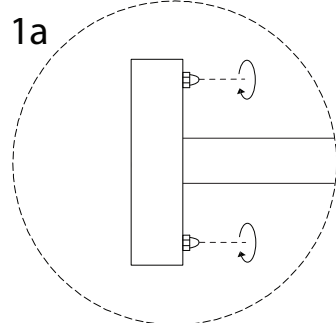
x 1



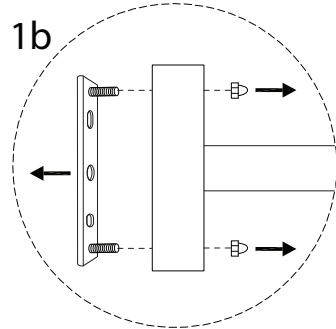
OFF



1a

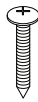


1b



2

B

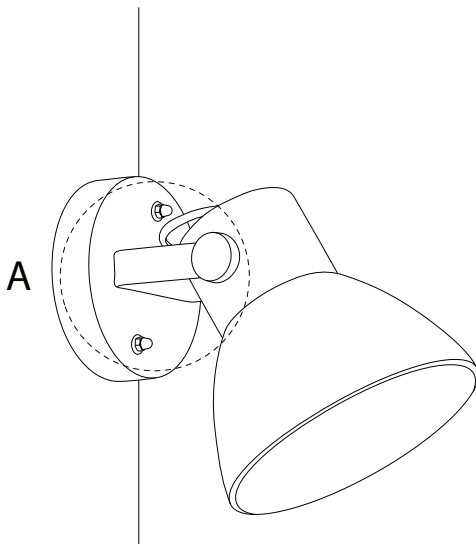


x 2

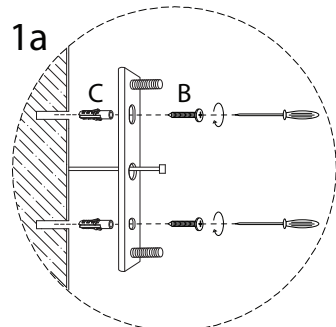
C



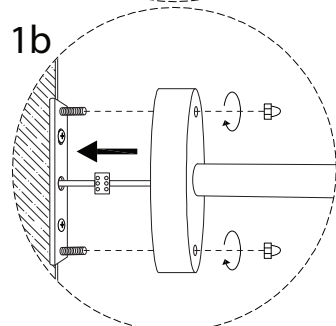
x 2



1a



1b



3

