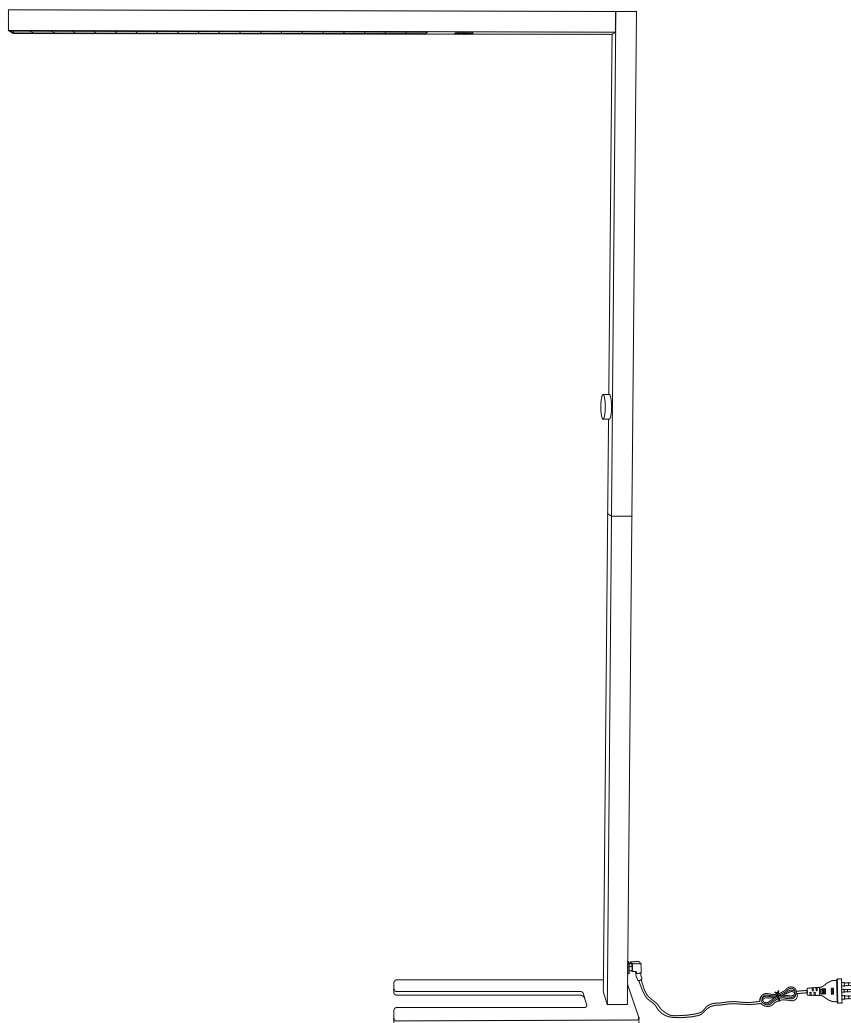
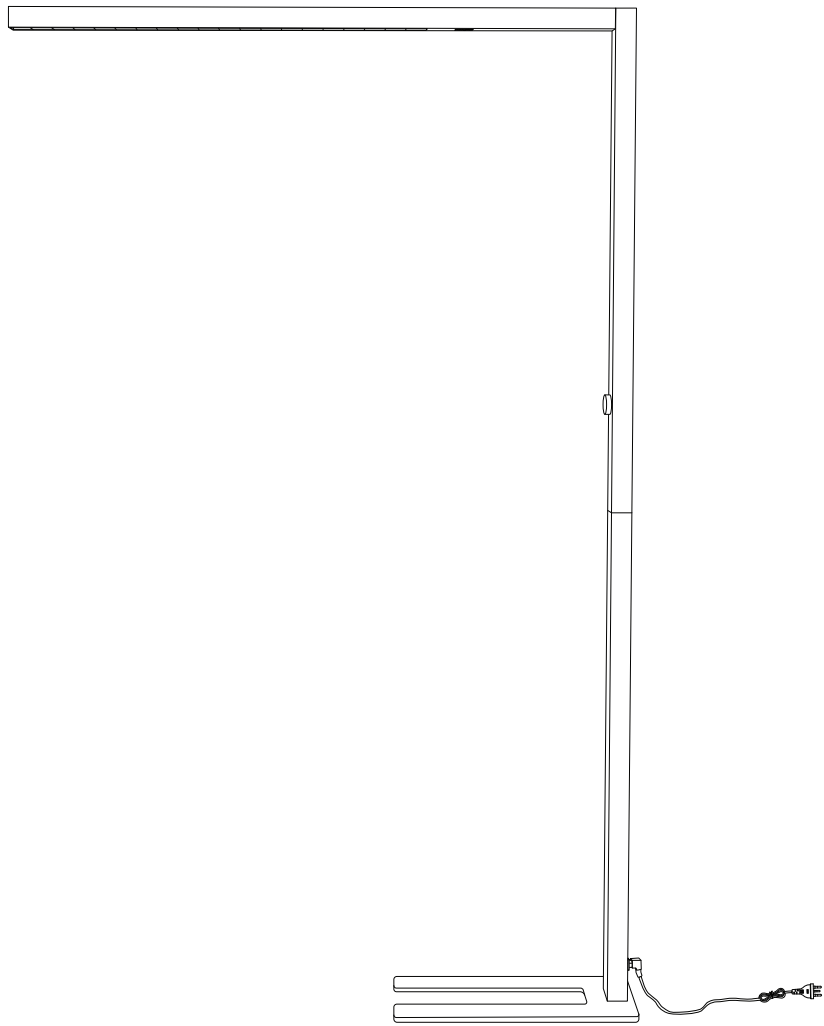
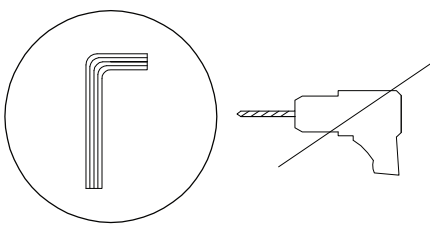

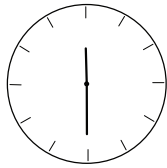
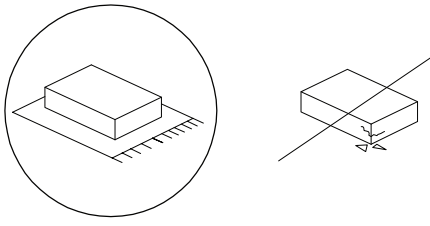

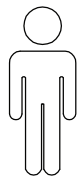


LYNX

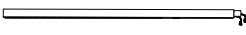


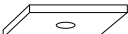



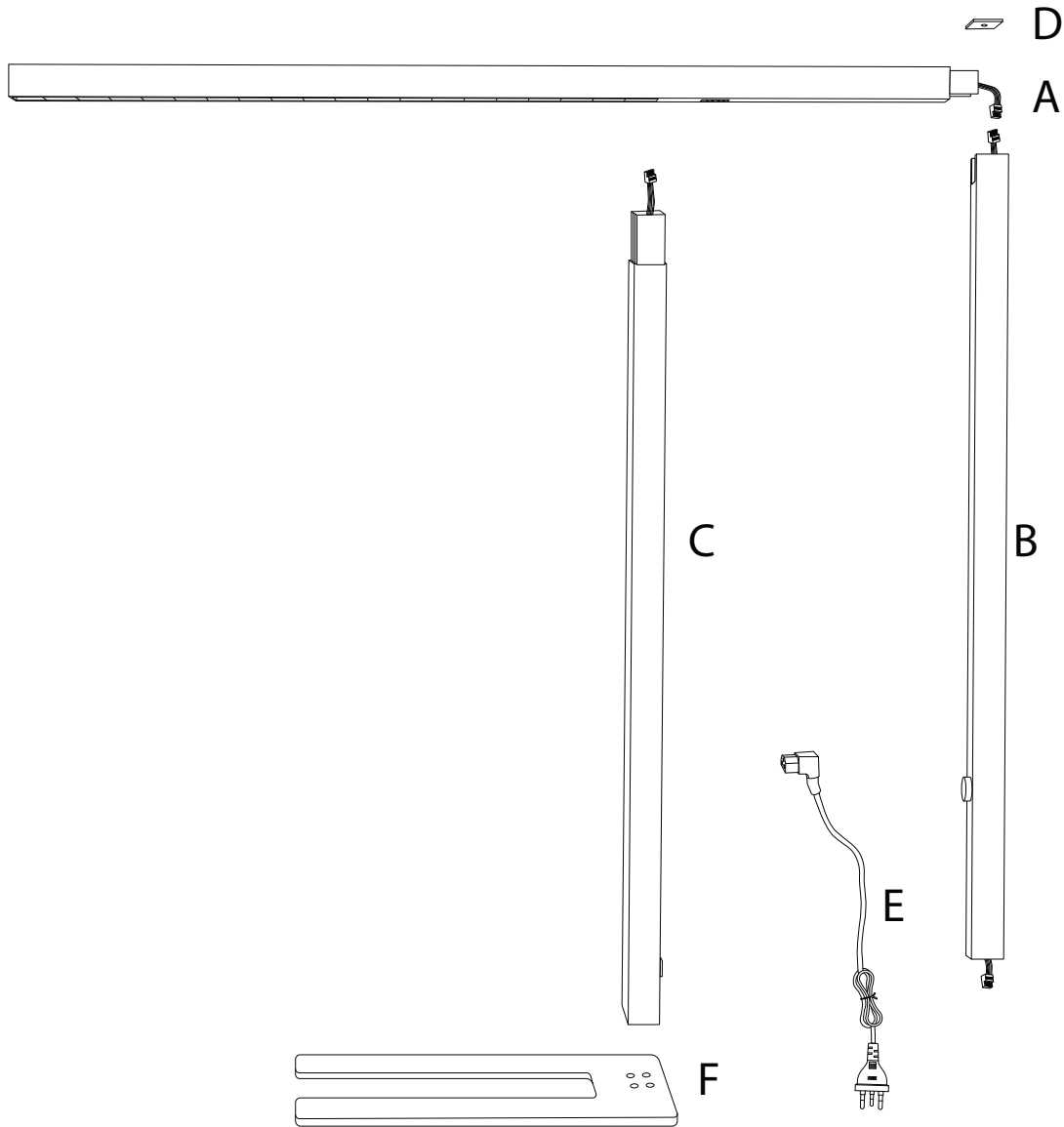


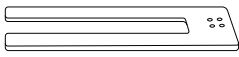
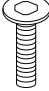

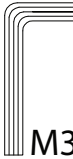

		
		

30'

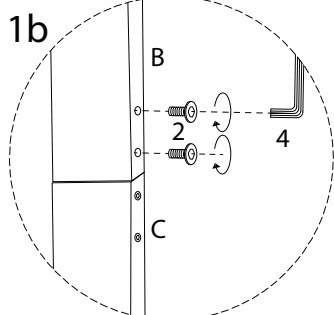
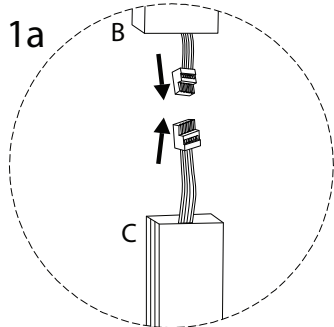
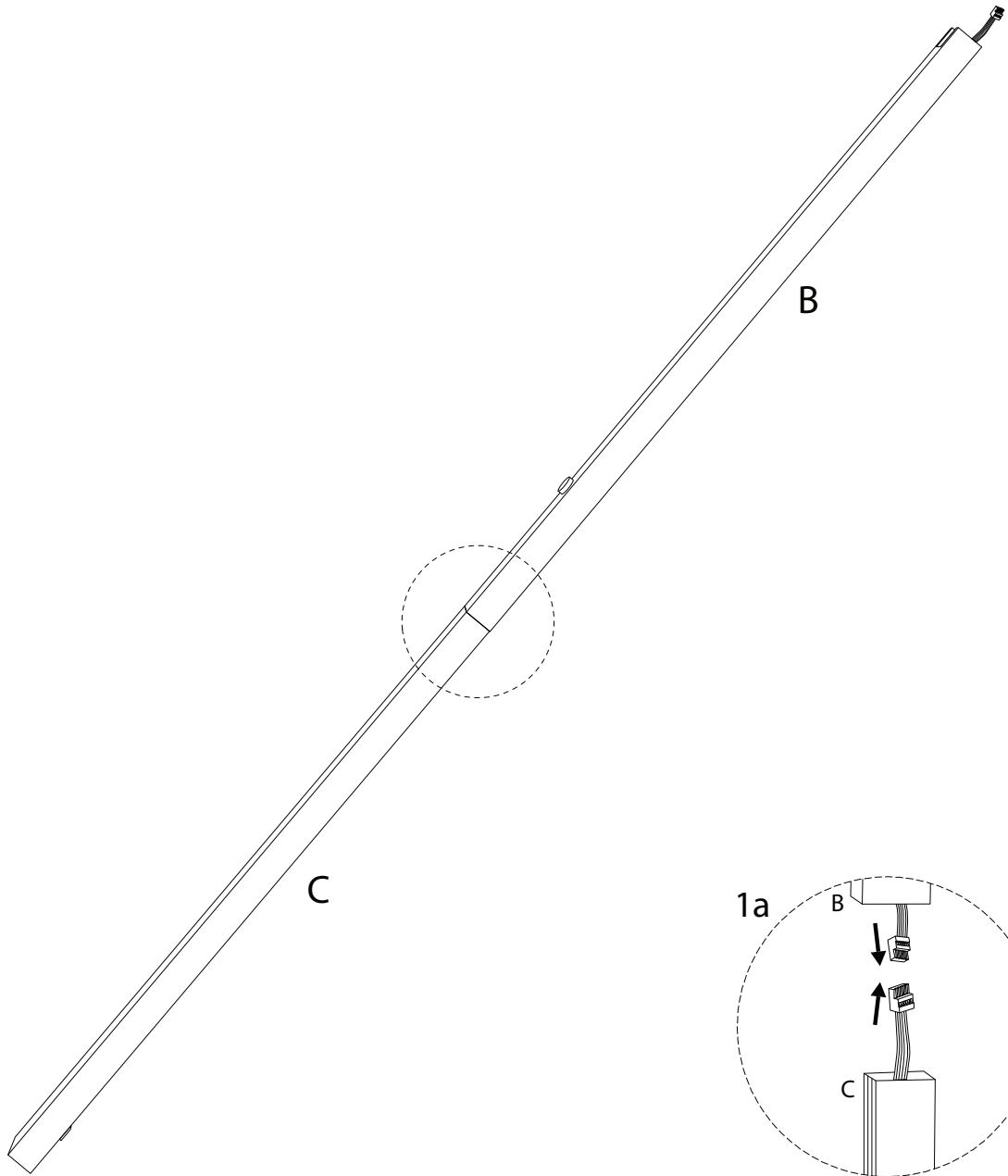
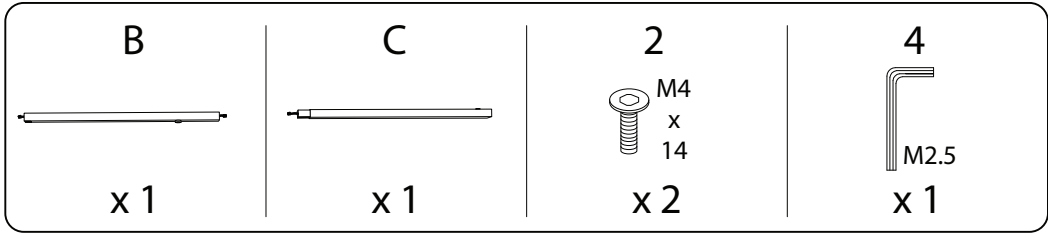
2

A	B	C	D	E
				
x 1	x 1	x 1	x 1	x 1

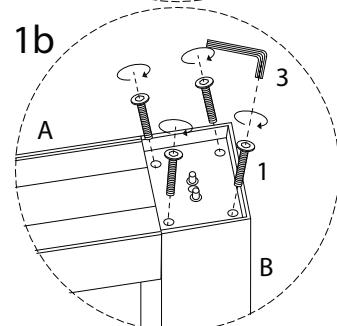
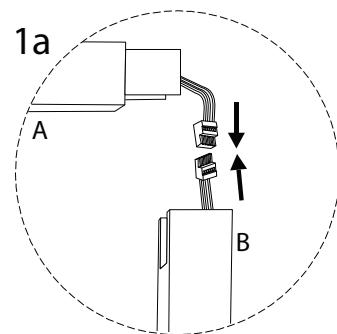
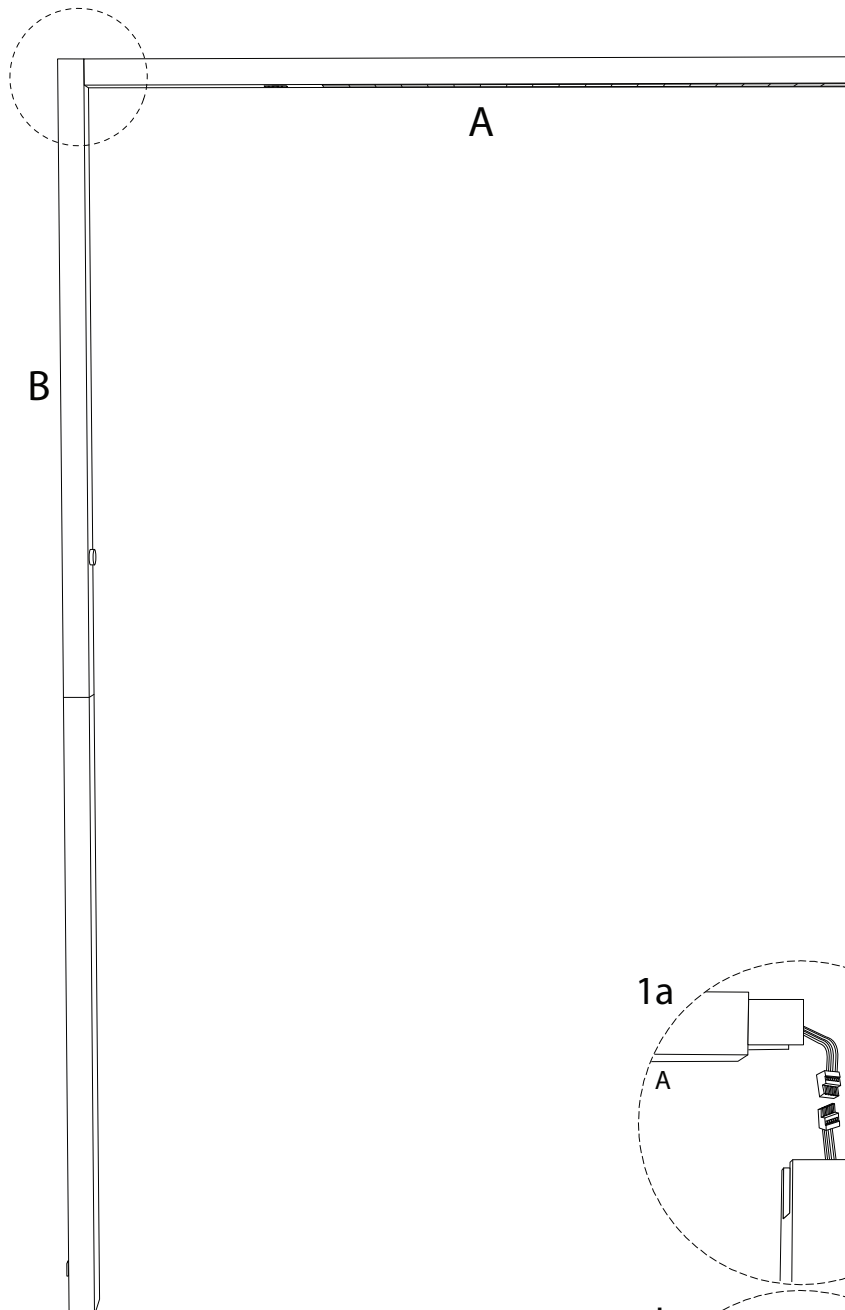
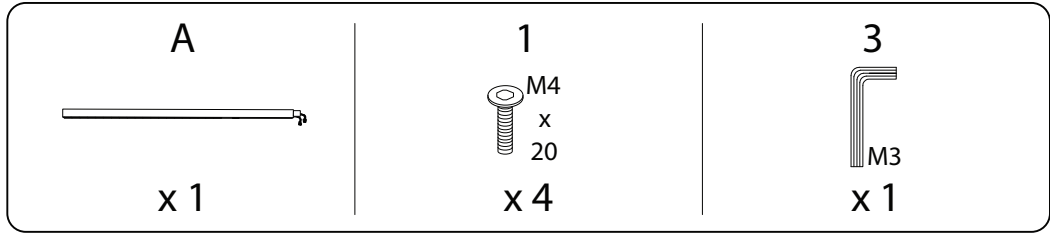


F	1	2	3	4
	 M4 x 20	 M4 x 14	 M3	 M2.5
x 1	x 8	x 3	x 1	x 1


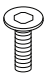

1

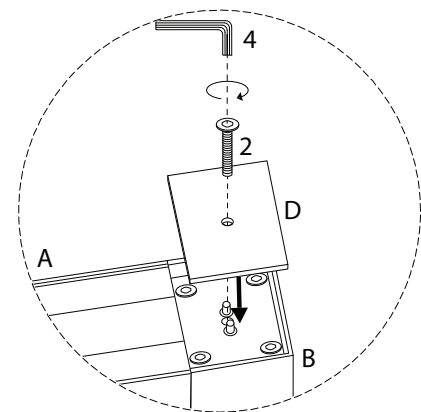
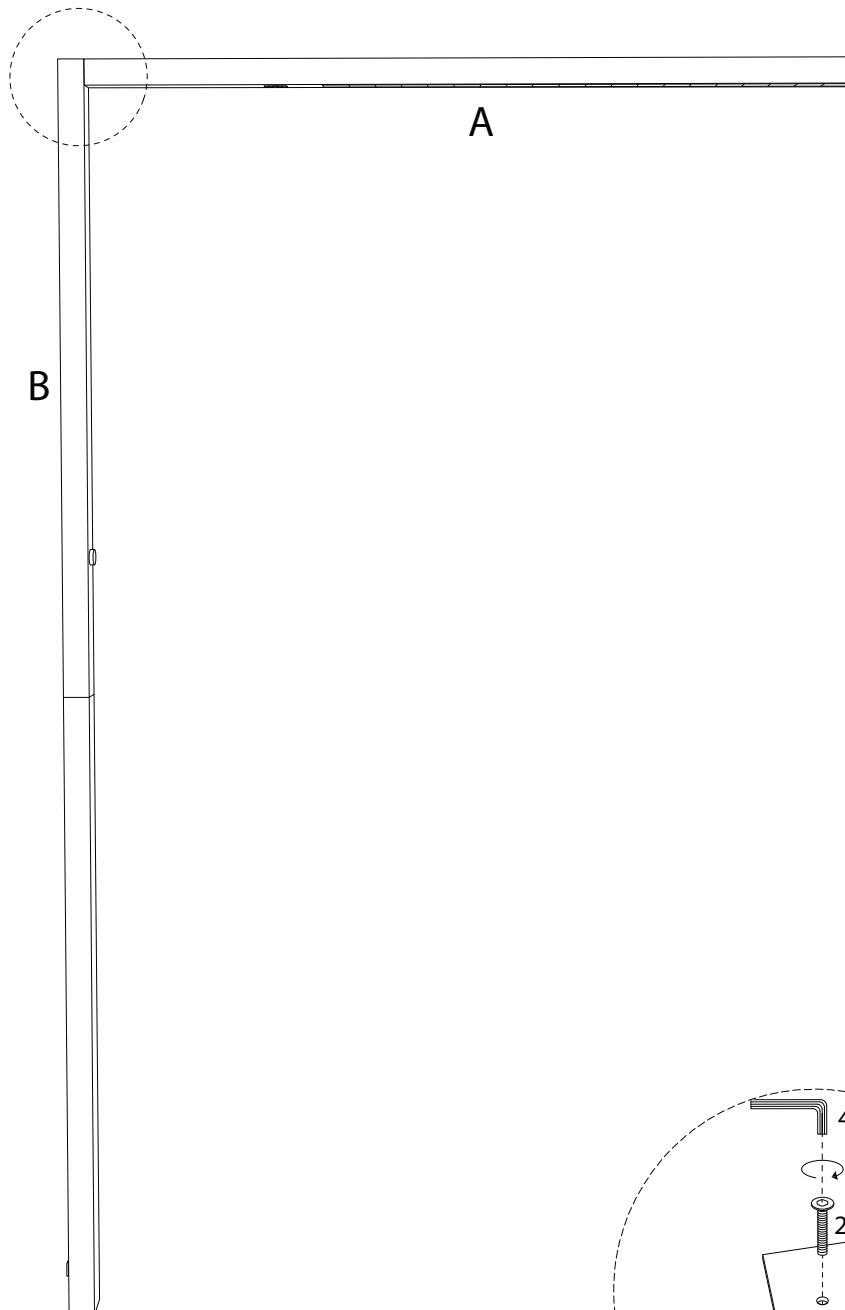


2

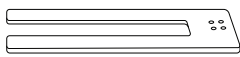




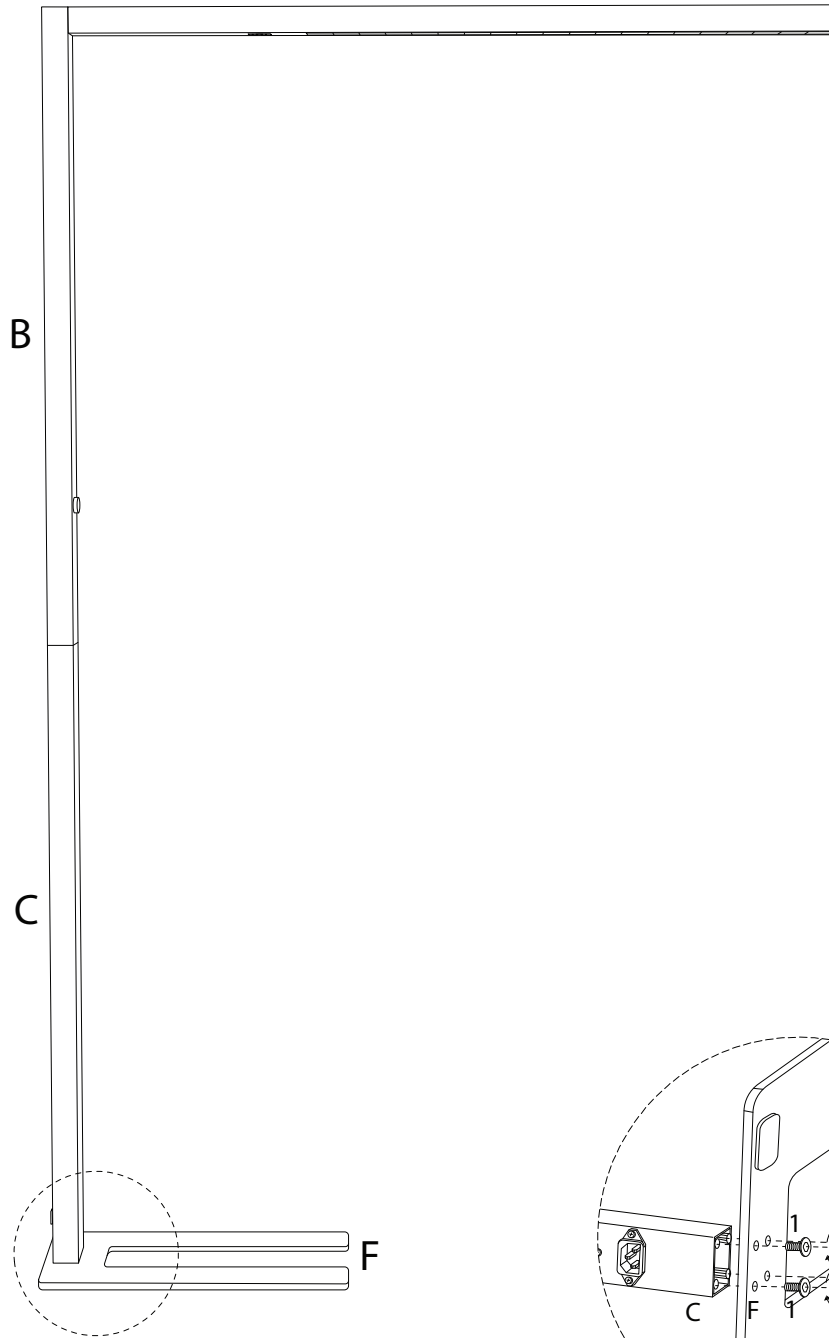
3

<p>D</p>  <p>x 1</p>	<p>2</p>  <p>M4 x 14</p> <p>x 1</p>	<p>4</p>  <p>M2.5</p> <p>x 1</p>
---	--	---



4

F  x 1	1  M4 x 20 x 4	3  M3 x 1
---	--	---



5

