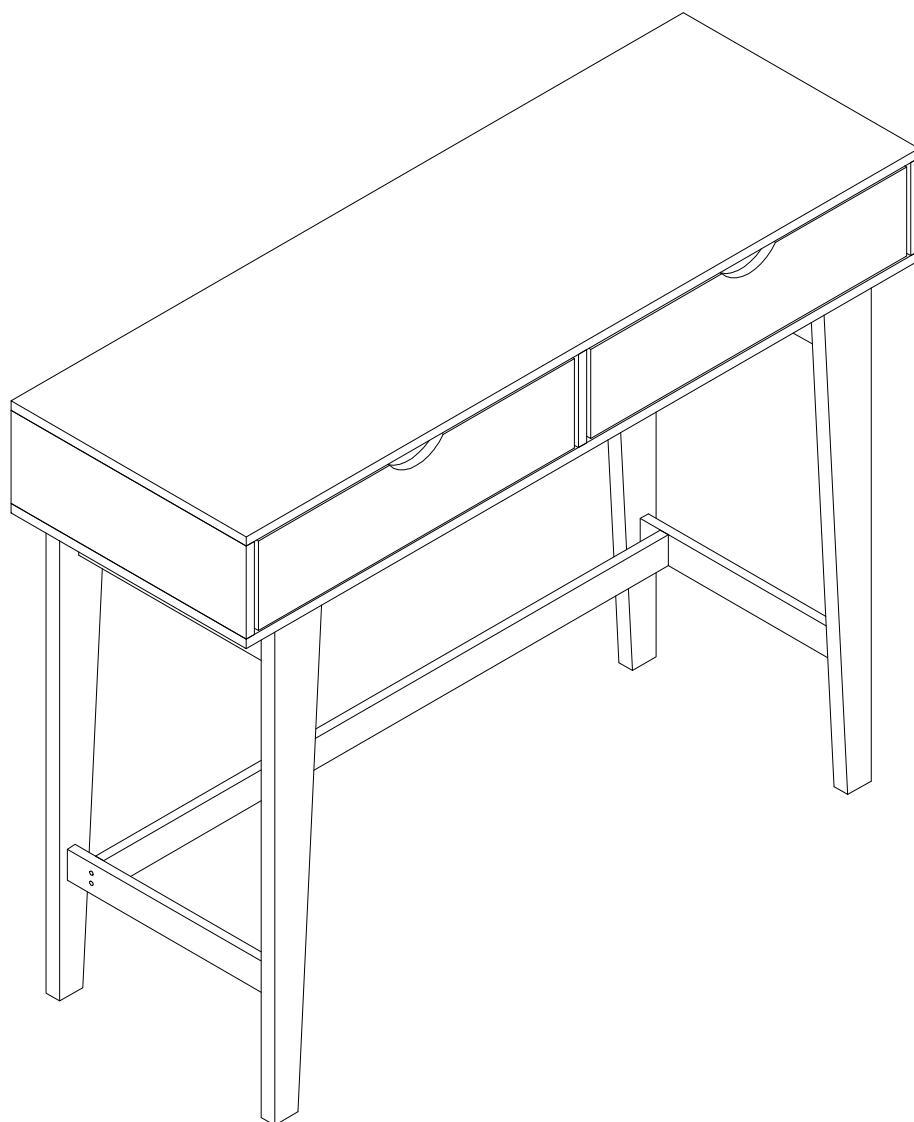
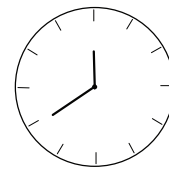
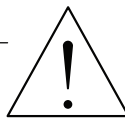
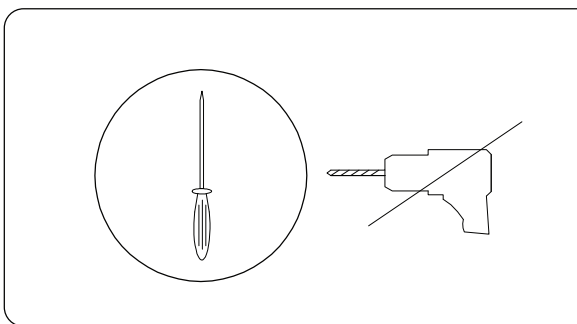
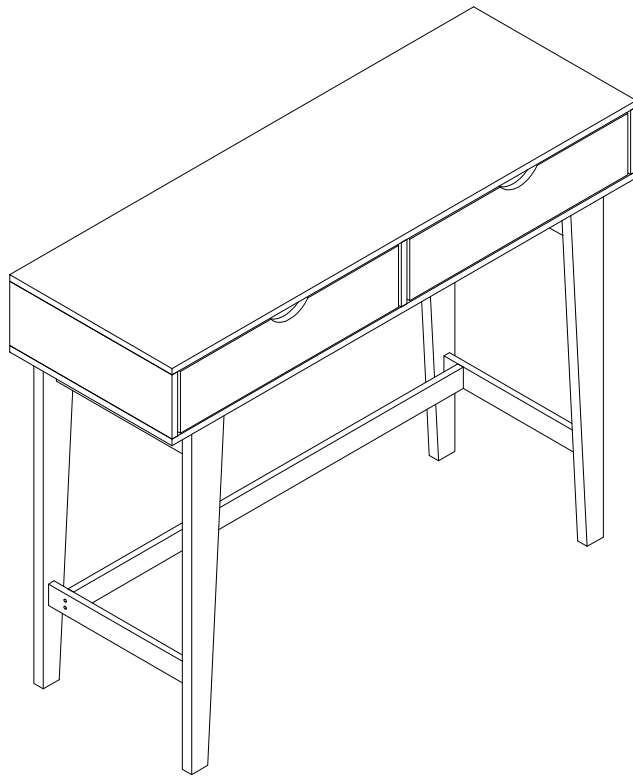
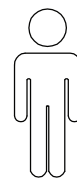
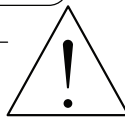
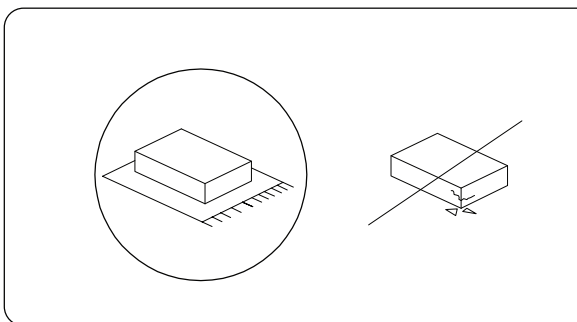


SULLY

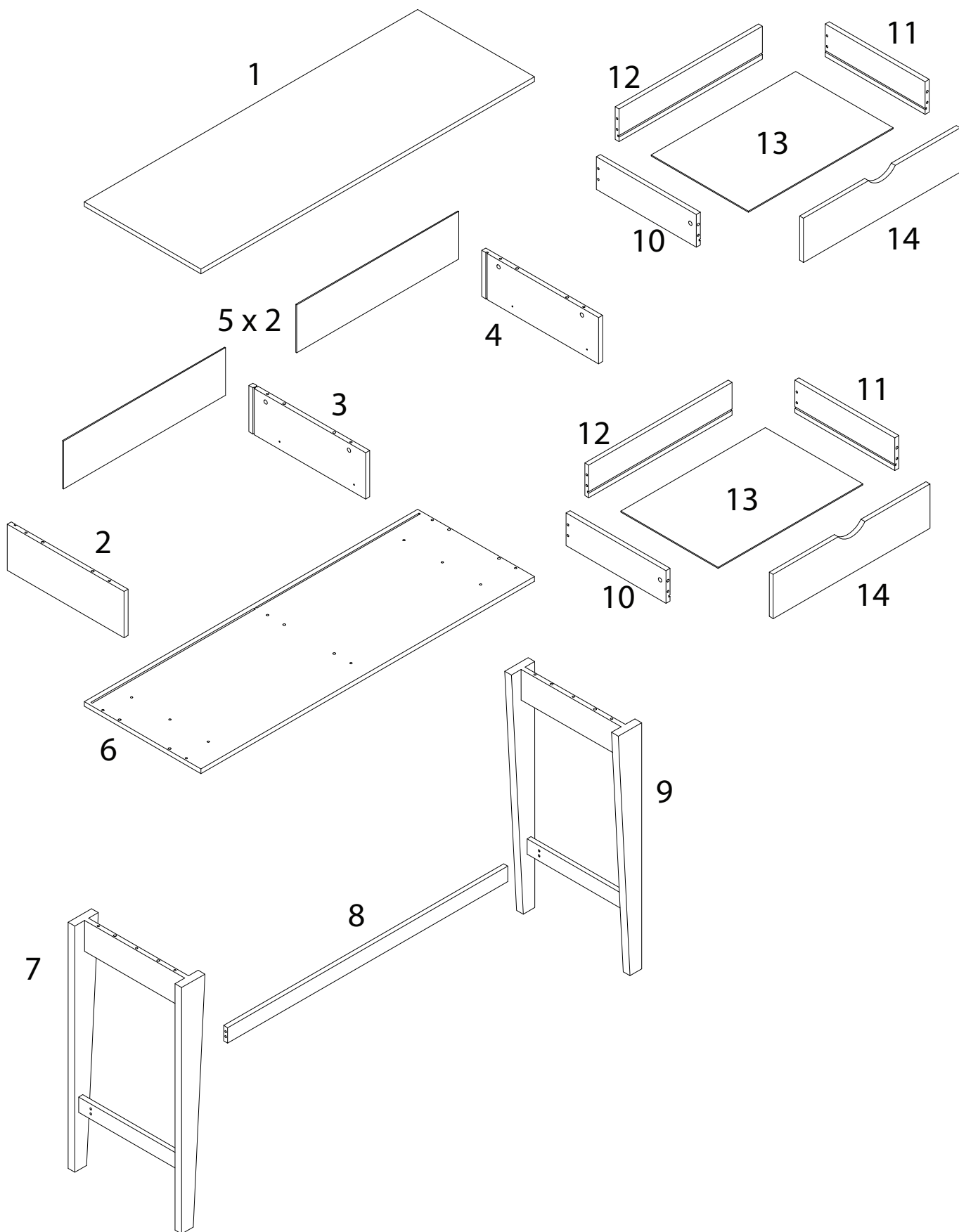


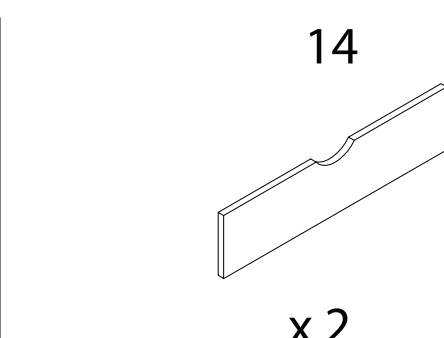
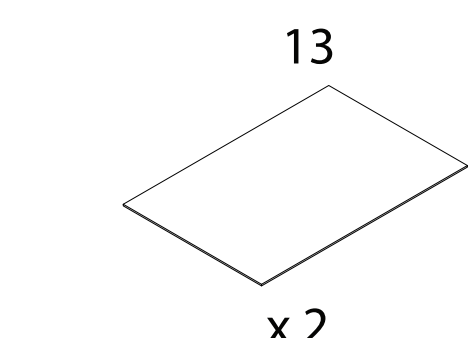
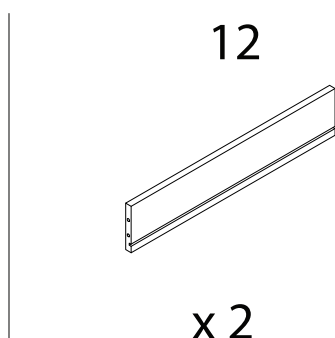
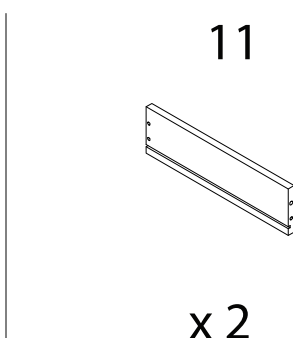
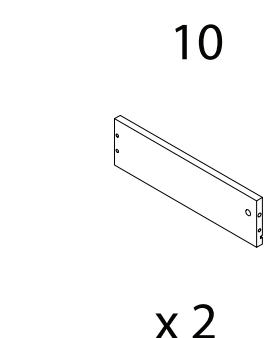
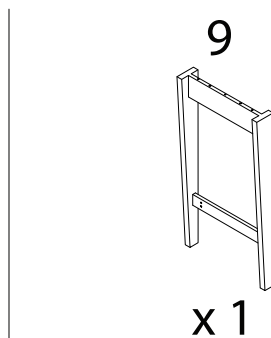
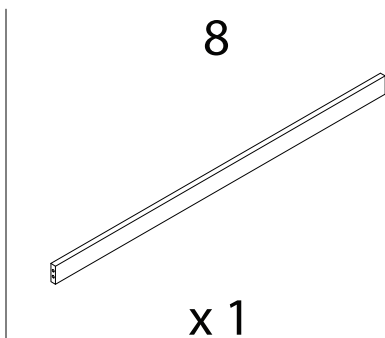
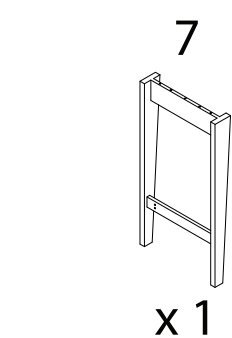
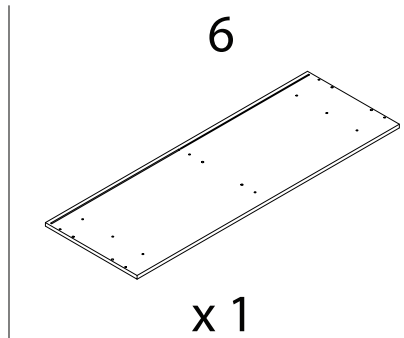
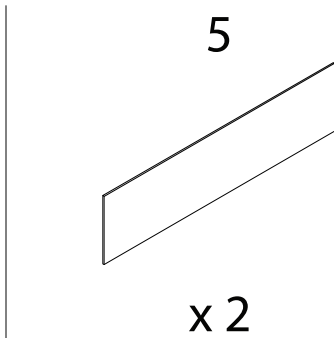
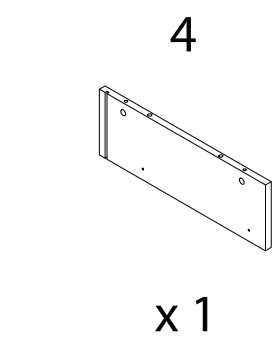
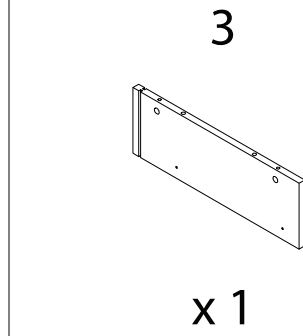
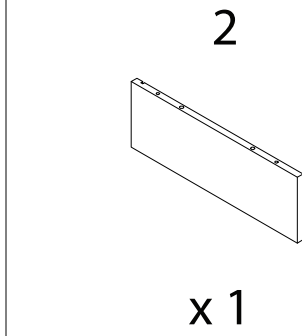
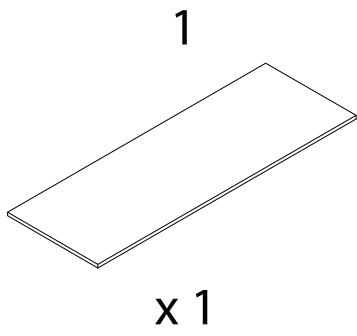


40'



2



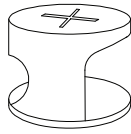


A



x 10

B



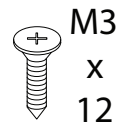
x 10

C



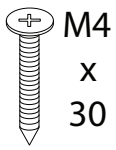
x 20

D



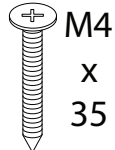
x 16

E



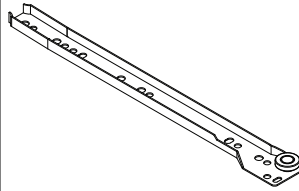
x 8

F



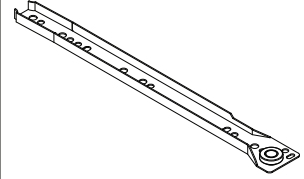
x 16

CL



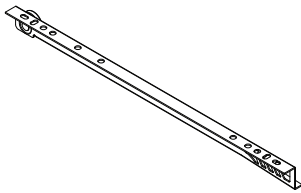
x 2

CR



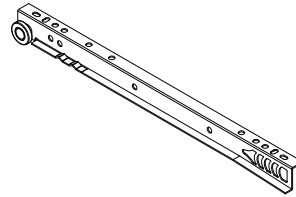
x 2

DR



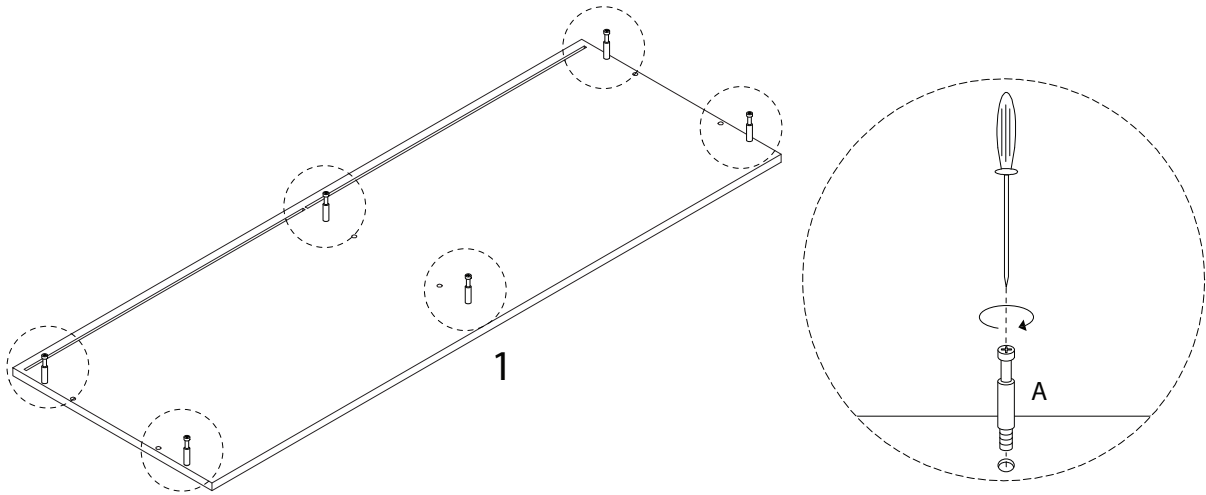
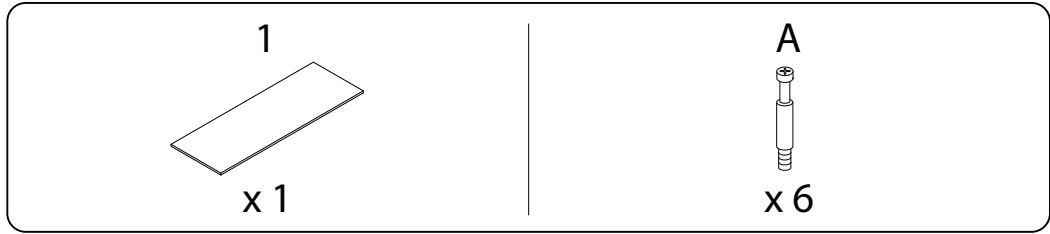
x 2

DL

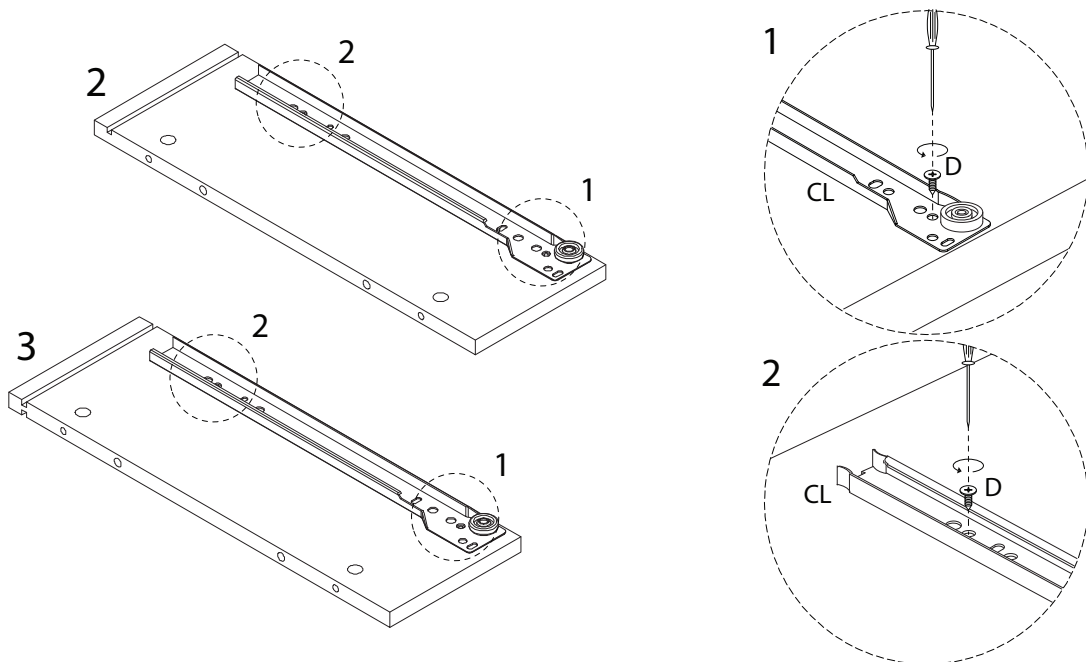
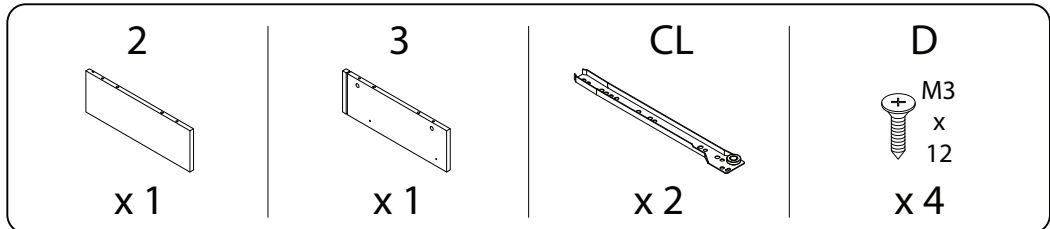


x 2

1

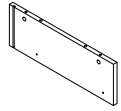


2



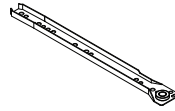
3

4



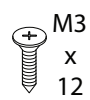
x1

CR

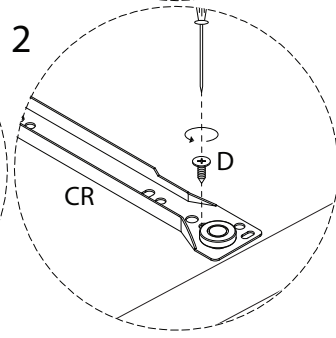
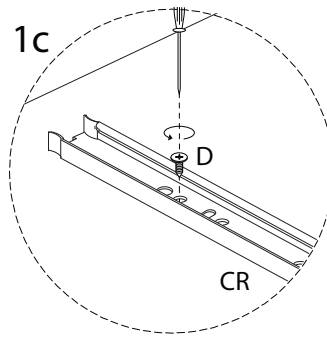
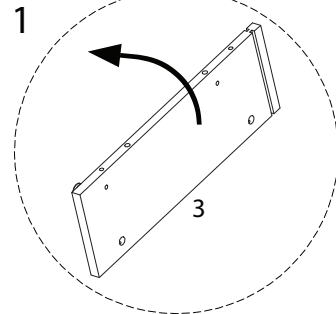
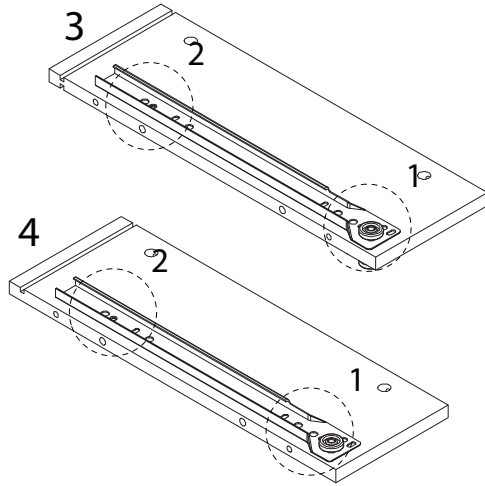


x2

D

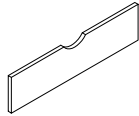


x4



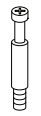
4 x 2

14



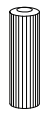
x1

A

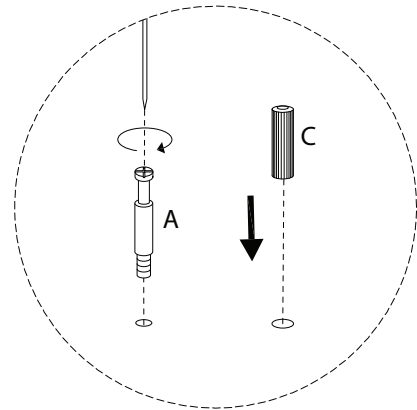
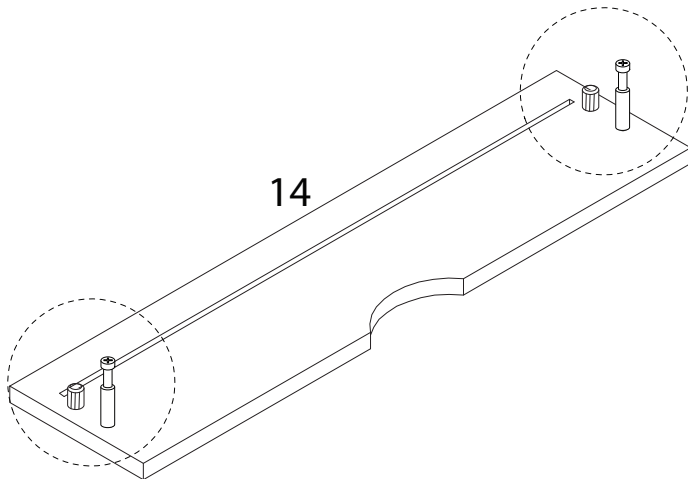


x2

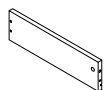
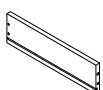

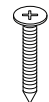
C

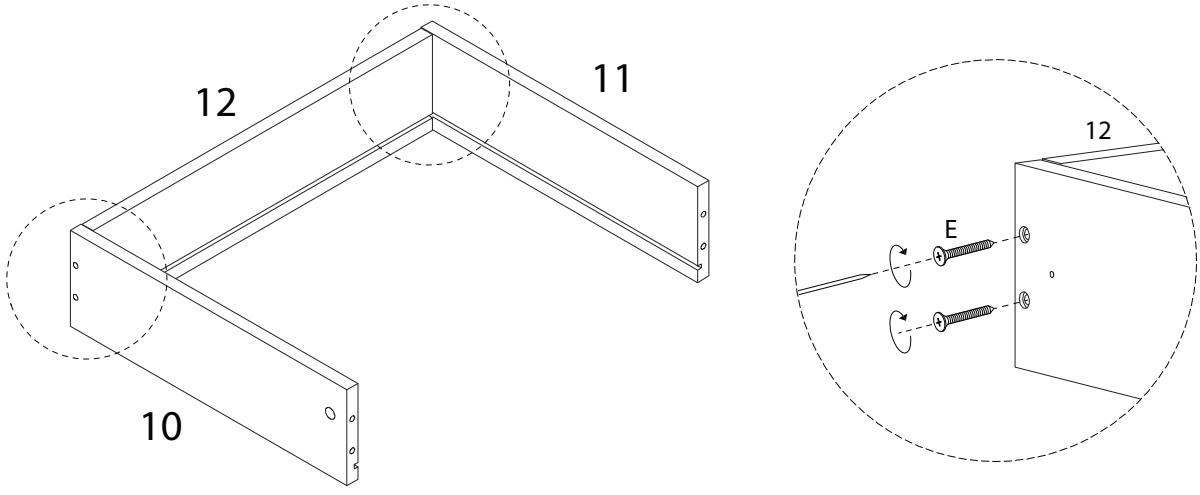


x2

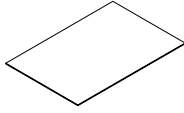


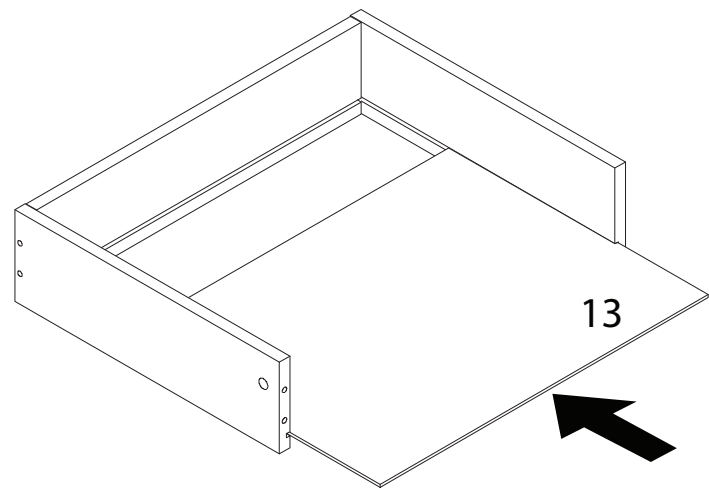
5 x 2

<p>10</p>  <p>x 1</p>	<p>11</p>  <p>x 1</p>	<p>12</p>  <p>x 1</p>	<p>E</p>  <p>M4 x 30</p> <p>x 4</p>
--	--	---	--



6 x 2

<p>13</p>  <p>x 1</p>
--

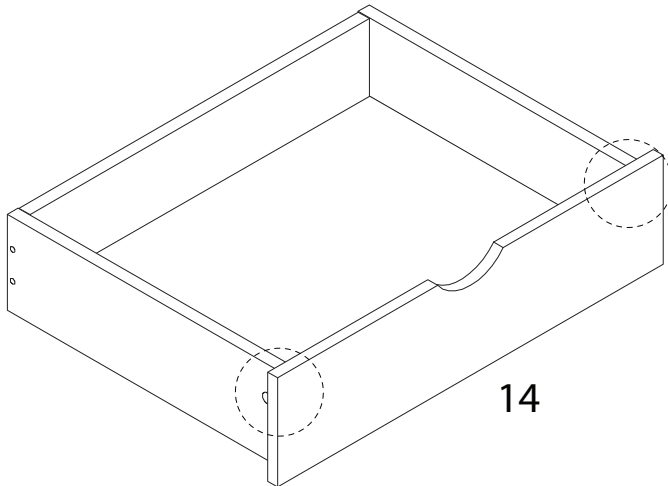


7 x 2

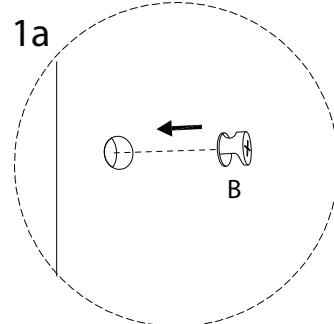
B



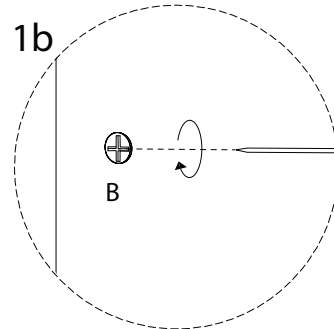
x 2



1a



1b



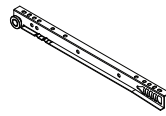
8 x 2

D



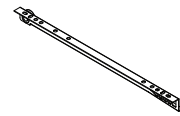
x 4

DL

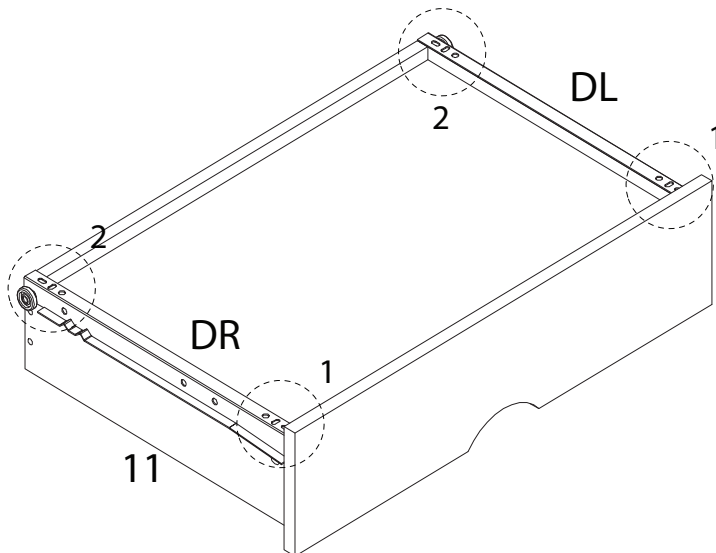


x 1

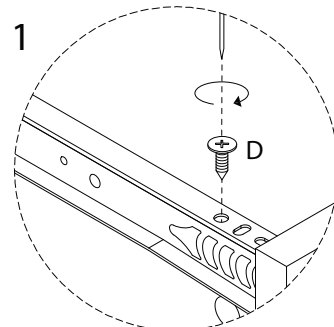
DR



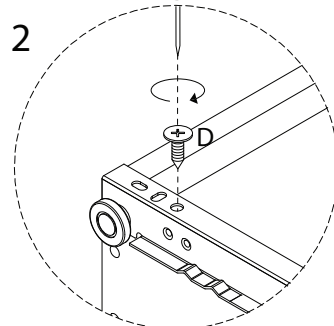
x 1



1

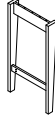


2



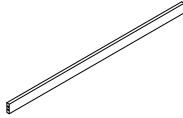
9

7



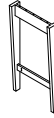
x 1

8



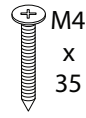
x 1

9



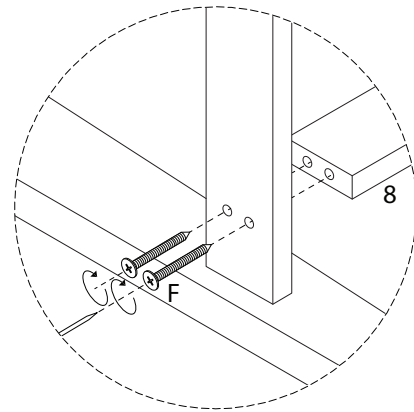
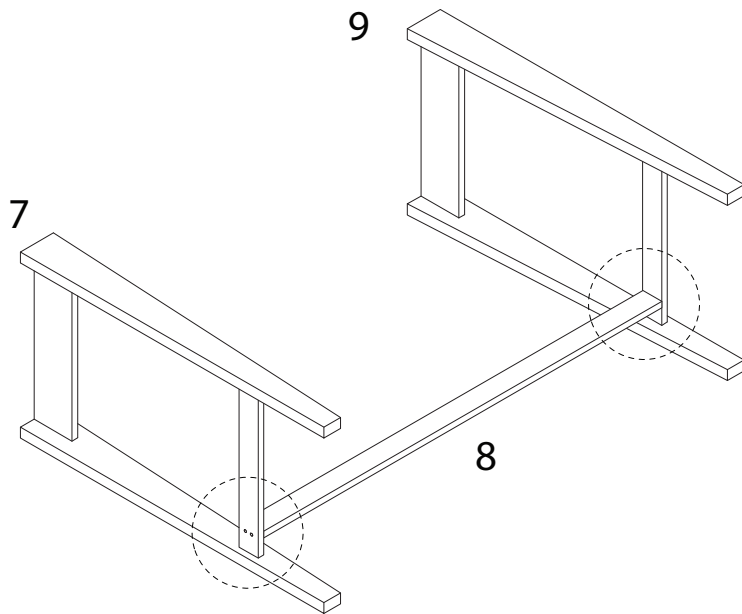
x 1

F



M4
x
35

x 4

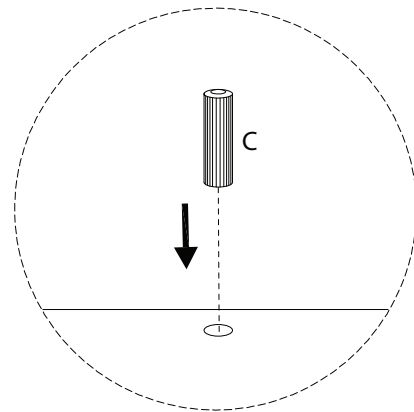
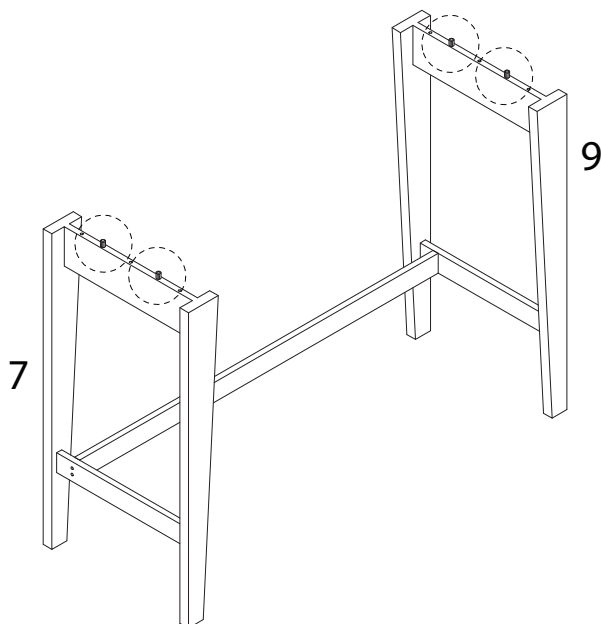


10

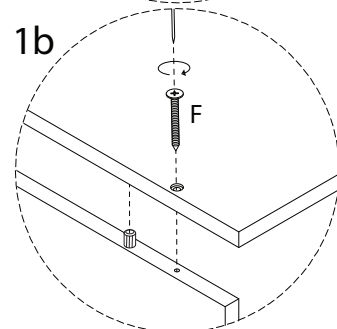
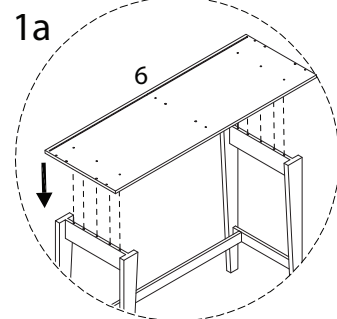
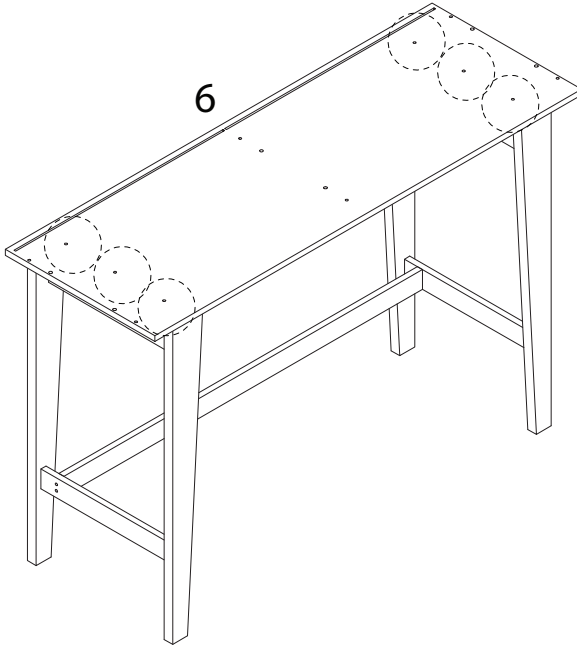
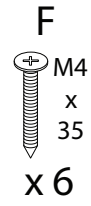
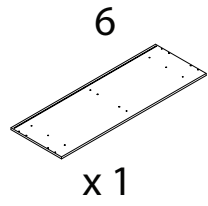
C



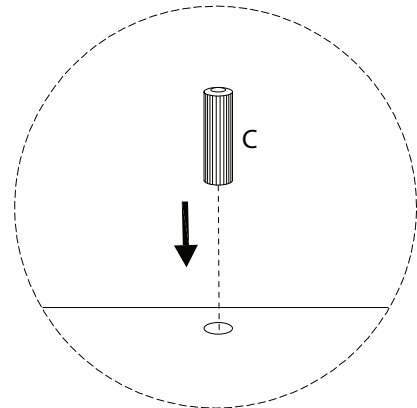
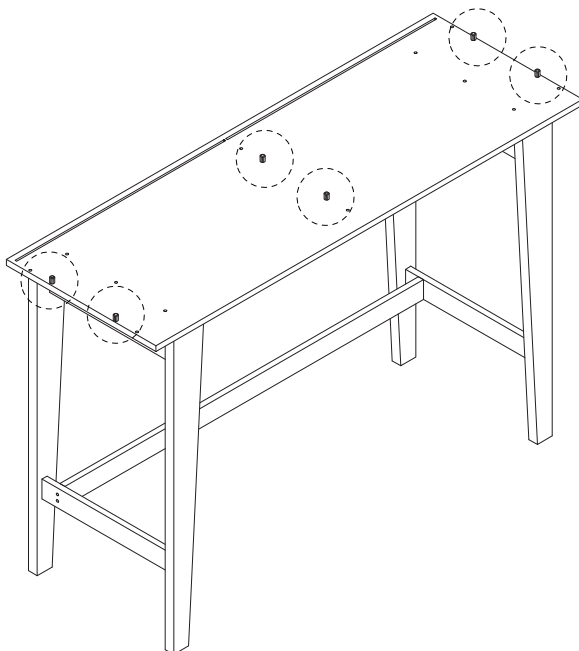
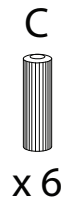
x 4



11

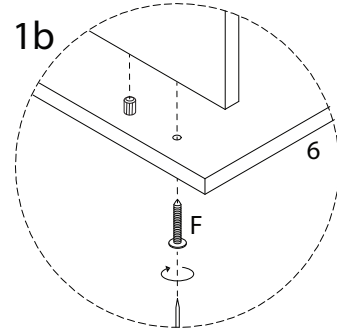
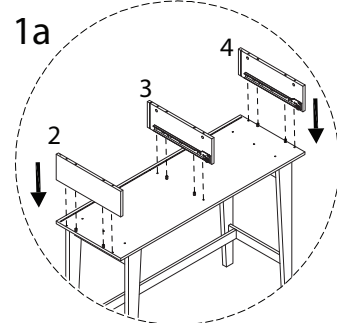
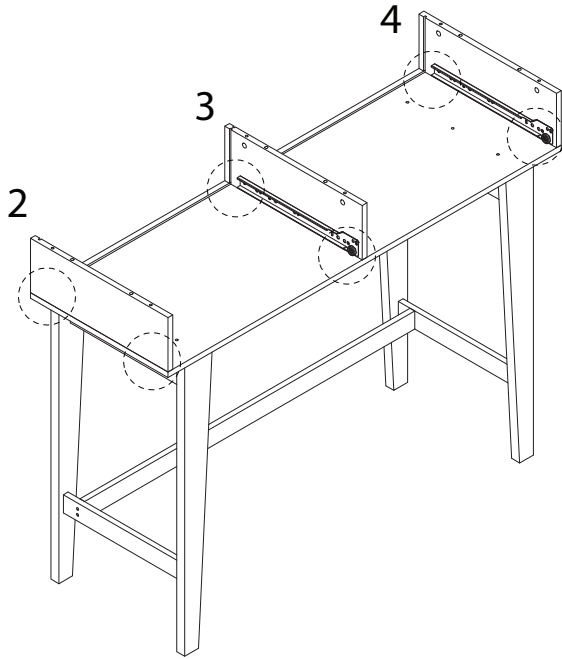


12



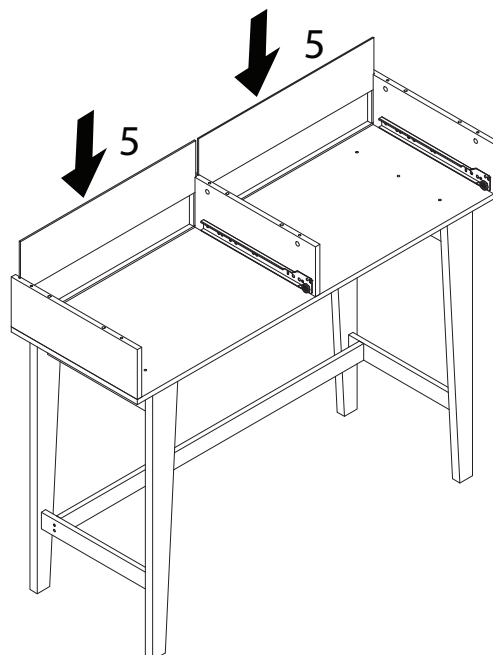
13

F
M4
x
35
x 6

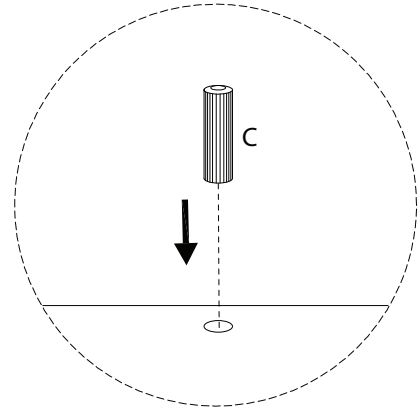
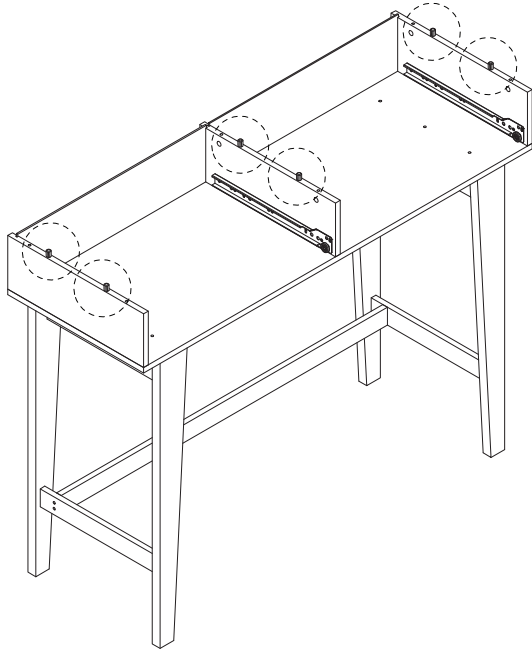
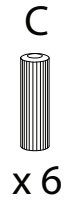


14

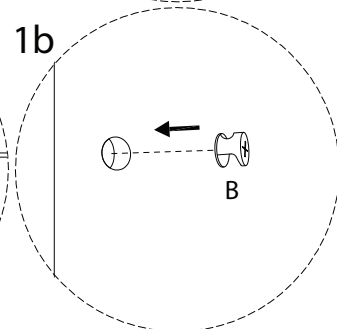
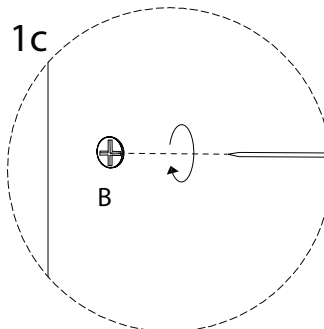
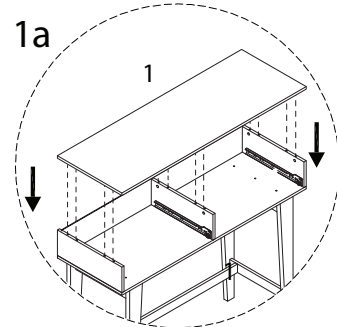
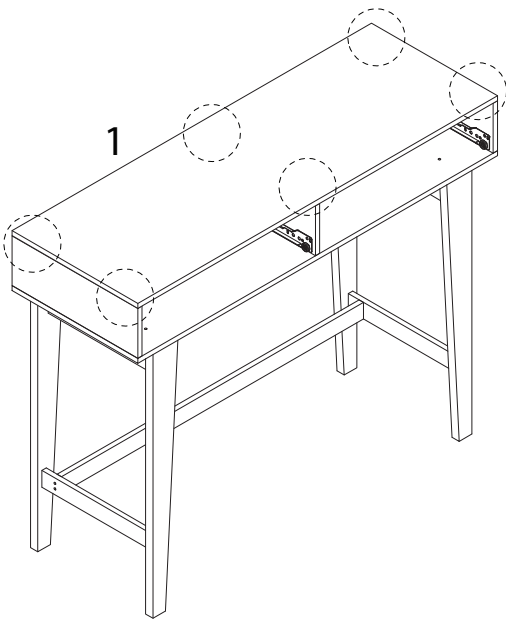
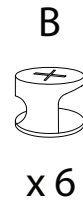
5
x 2



15



16



17

