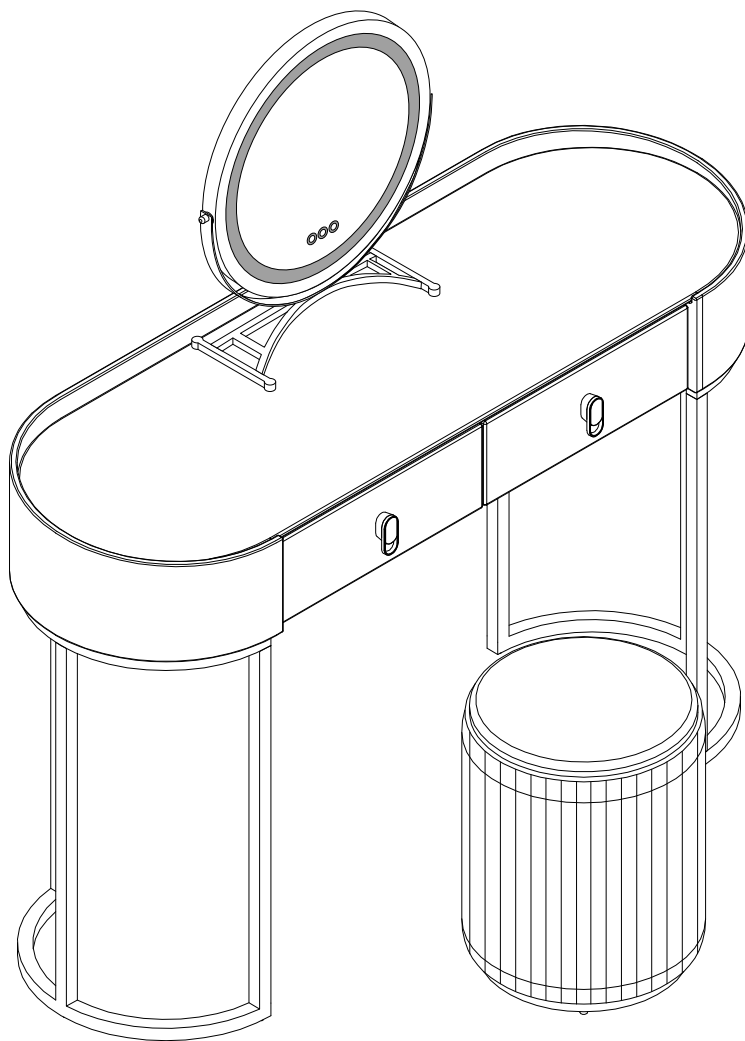
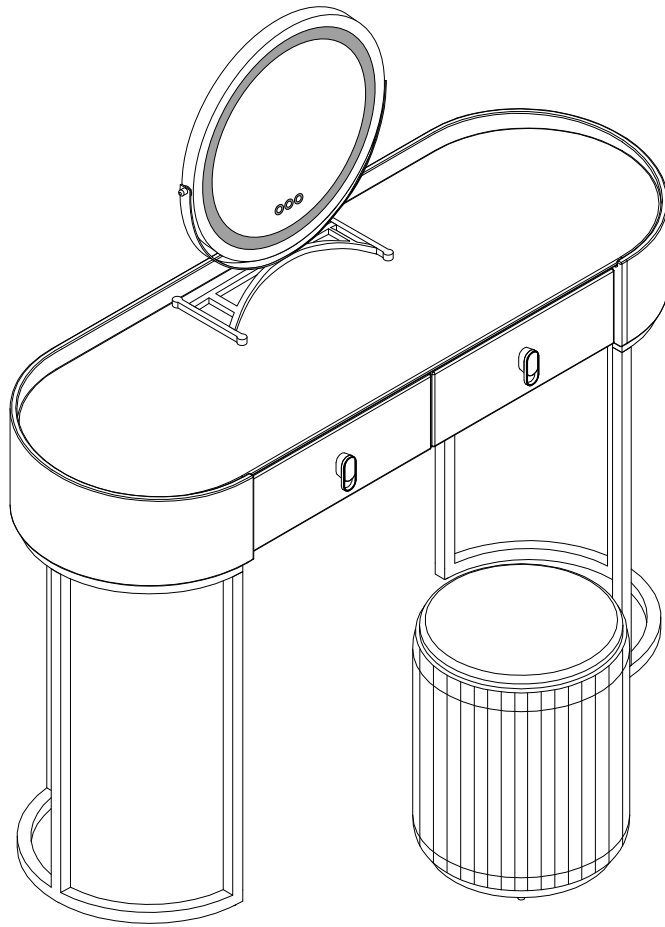
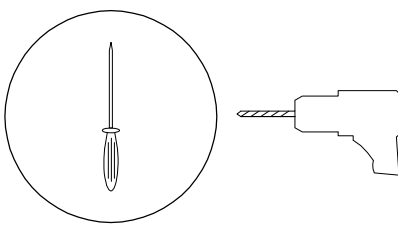

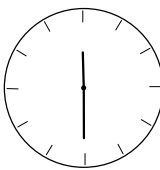
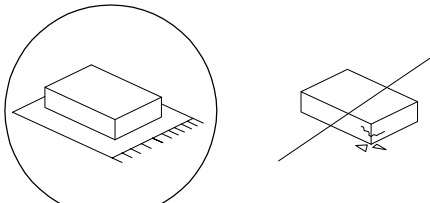


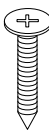
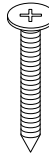
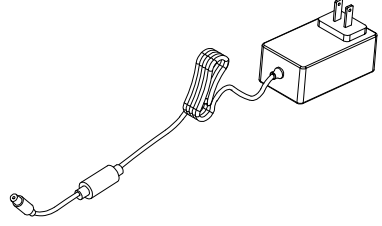


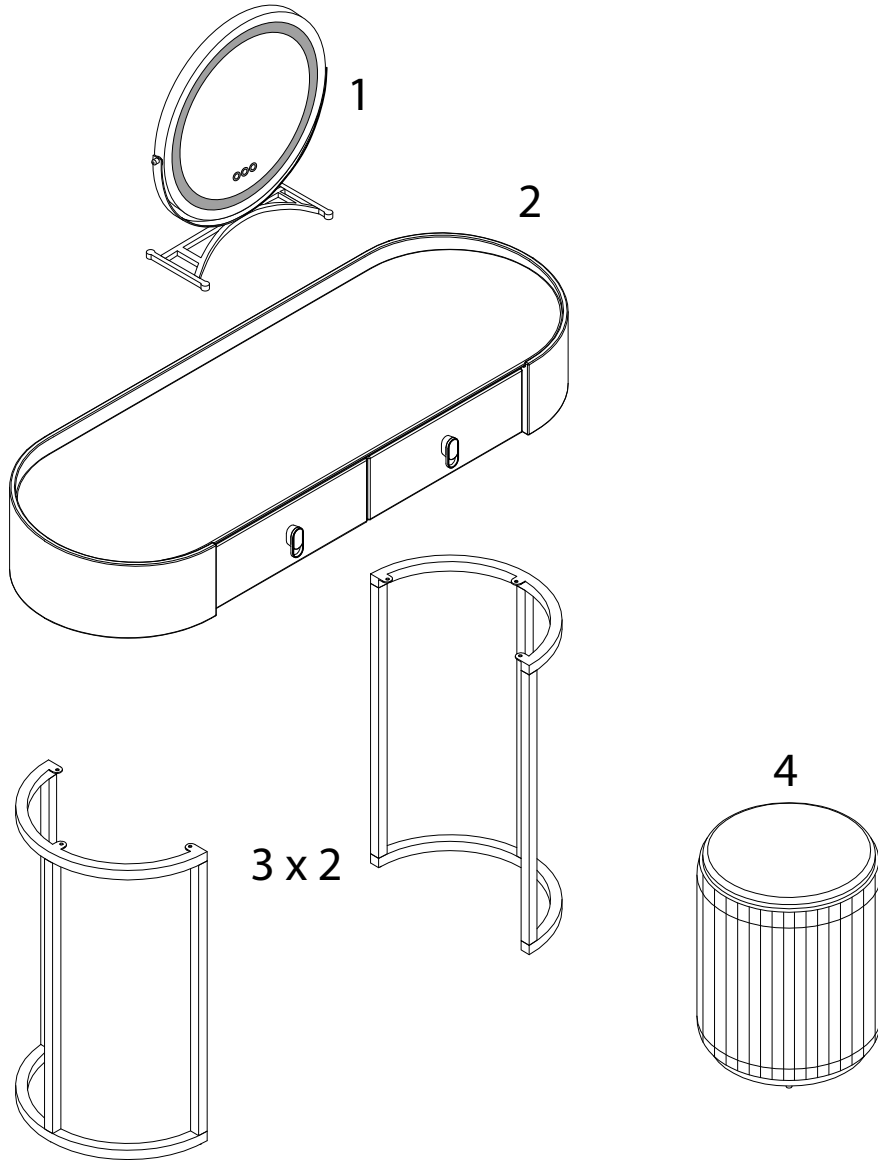
VINAX

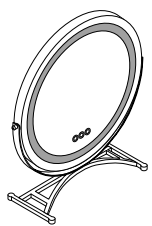
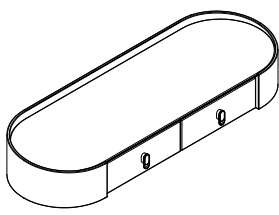
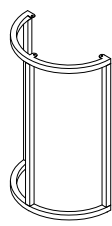
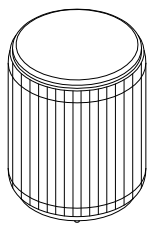




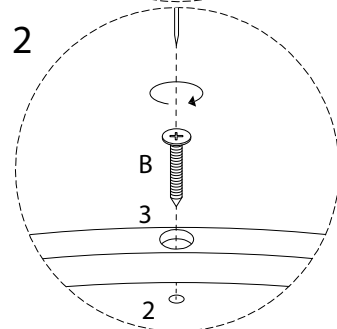
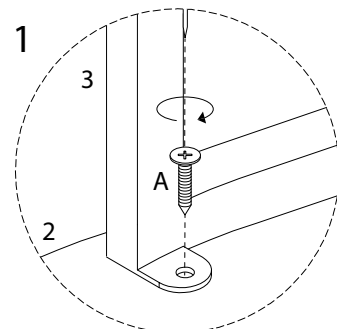
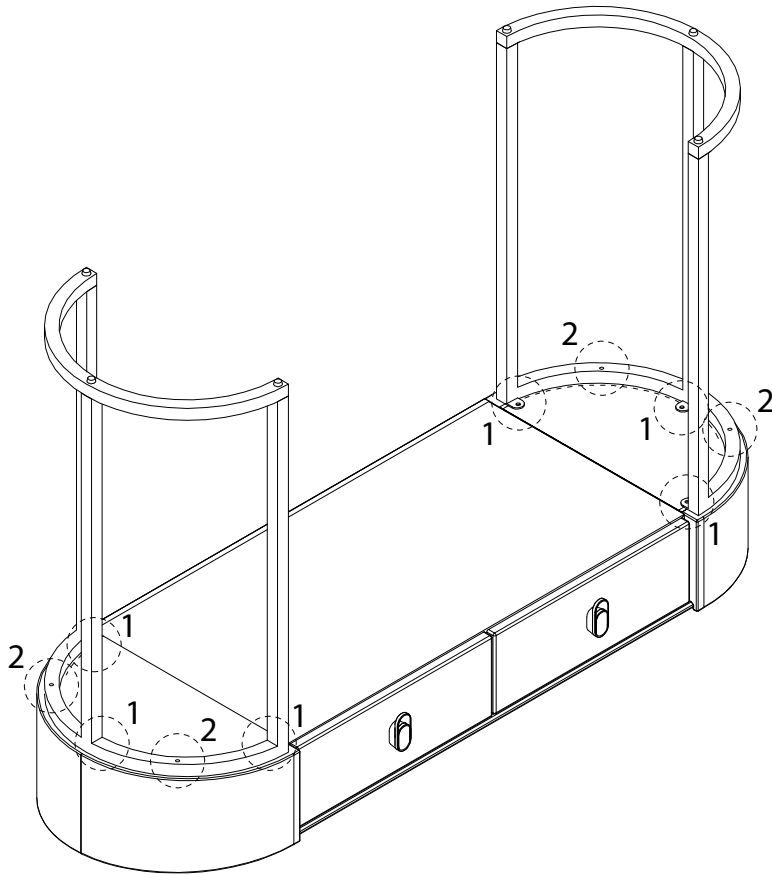
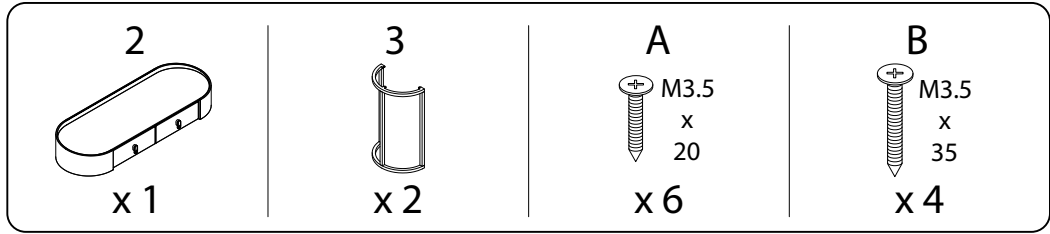
		
		30'
		
		2

<p>A</p>  <p>M3.5 x 20</p> <p>x 6</p>	<p>B</p>  <p>M3.5 x 35</p> <p>x 4</p>	<p>C</p>  <p>x 1</p>
--	--	---



<p>1</p>  <p>x 1</p>	<p>2</p>  <p>x 1</p>	<p>3</p>  <p>x 2</p>	<p>4</p>  <p>x 1</p>
---	---	--	---

1



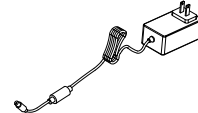
3

1

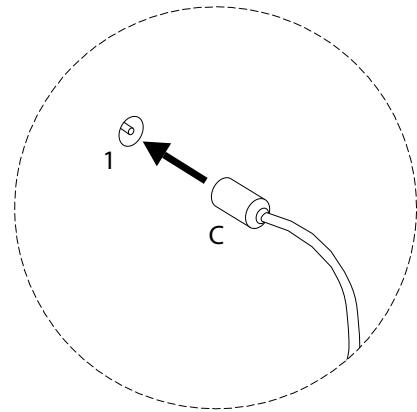
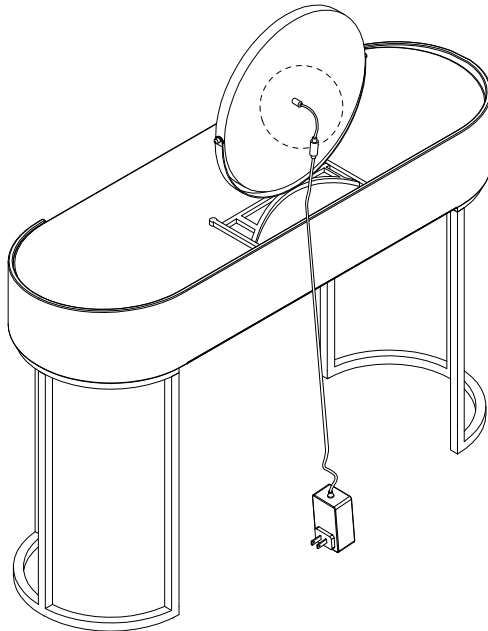


x 1

C



x 1



4

4



x 1

