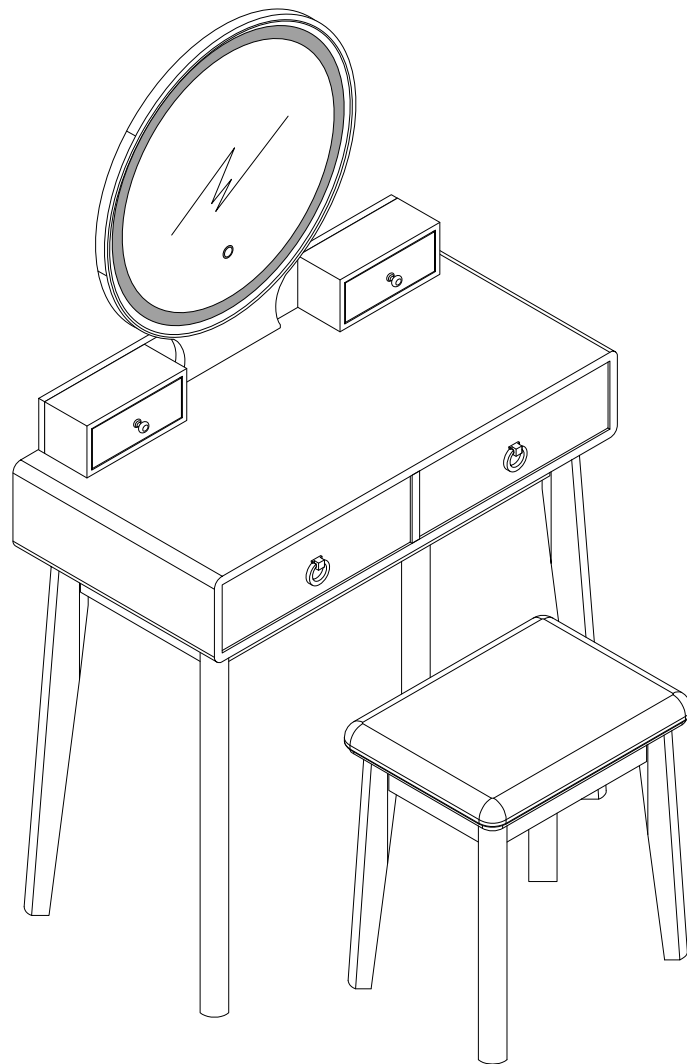
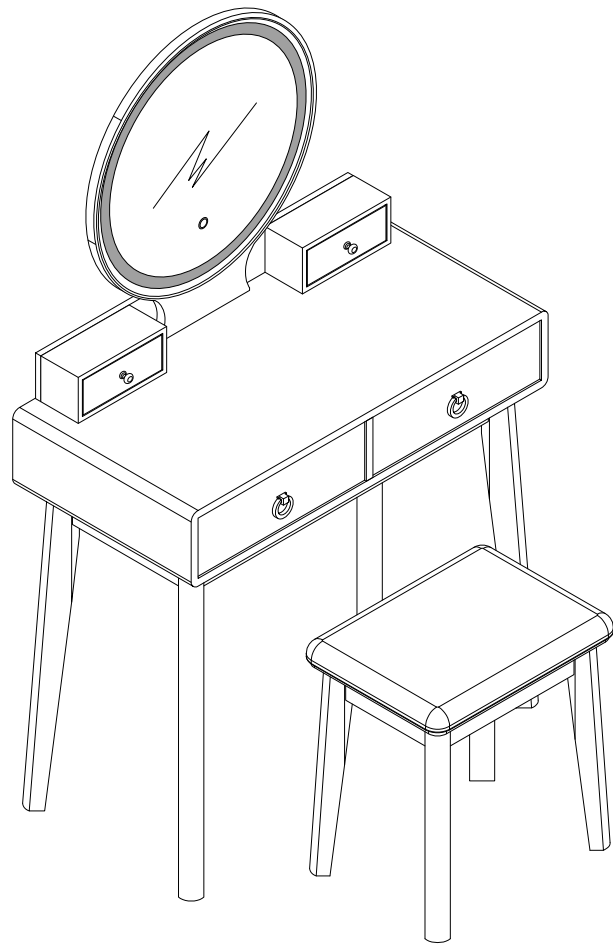


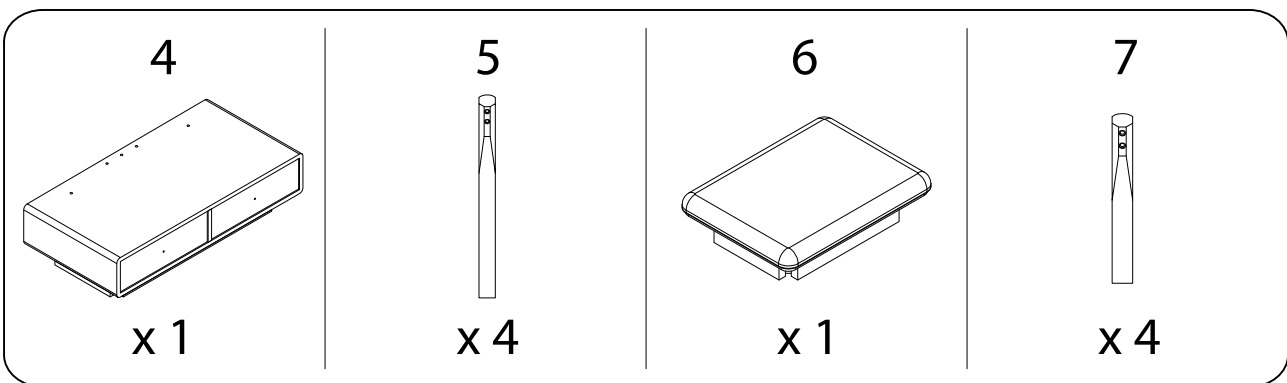
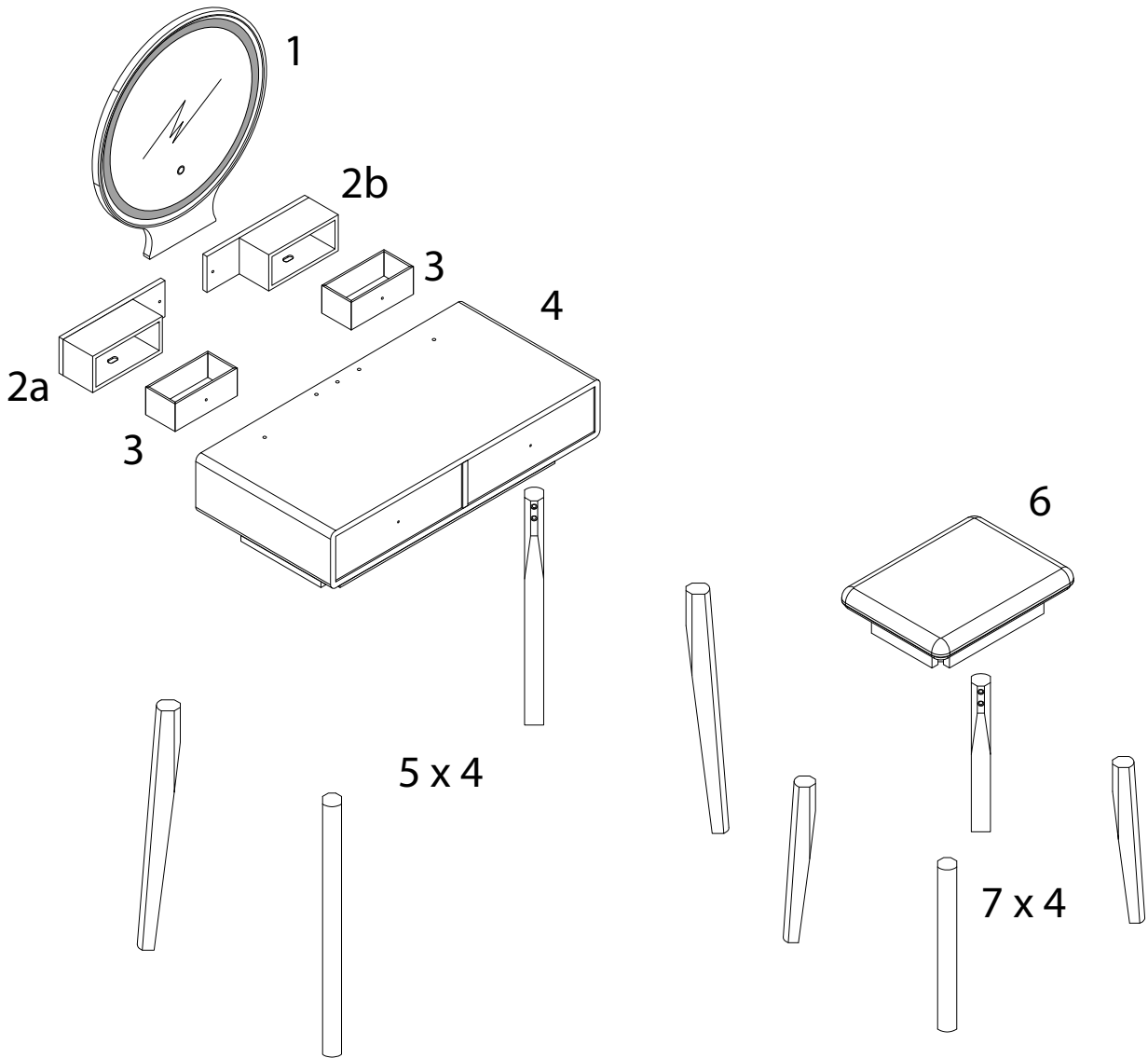
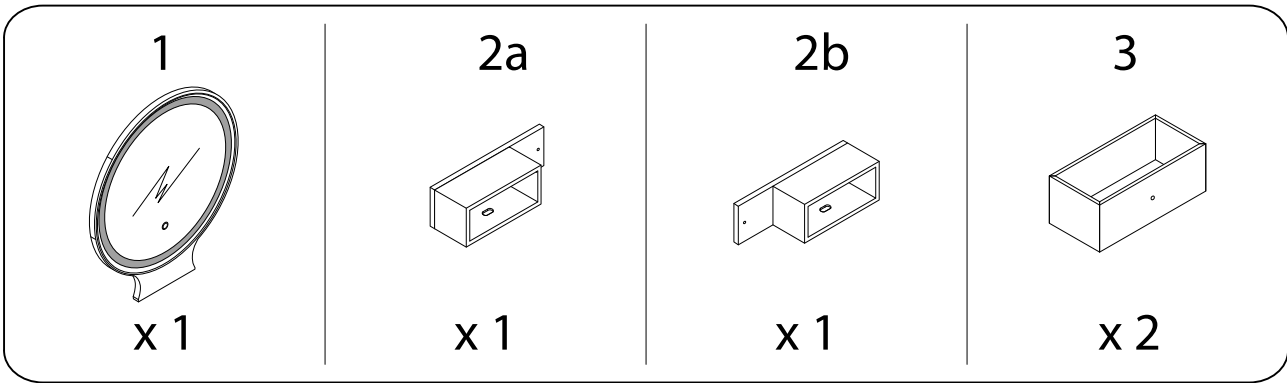
FEDRY



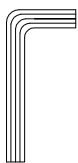


Assembly instructions for step 1/8:

- Tools:** A circle containing a screwdriver and an Allen key. A power drill is shown with a diagonal line through it, indicating it should not be used.
- Warning:** A triangle with an exclamation mark.
- Time:** A clock icon with the text "30'" below it, indicating the estimated assembly time.
- Personnel:** A person icon with the number "2" below it, indicating the number of people required for assembly.

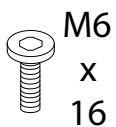


A



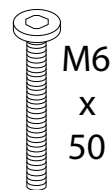
x 1

B



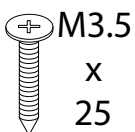
x 2

C



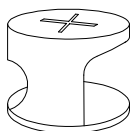
x 16

D



x 2

E



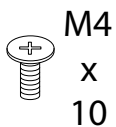
x 3

F



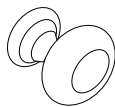
x 3

G



x 2

H



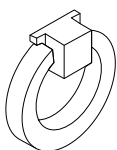
x 2

I



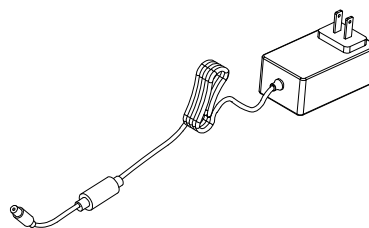
x 2

J



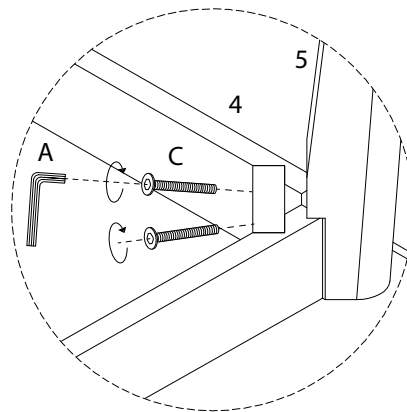
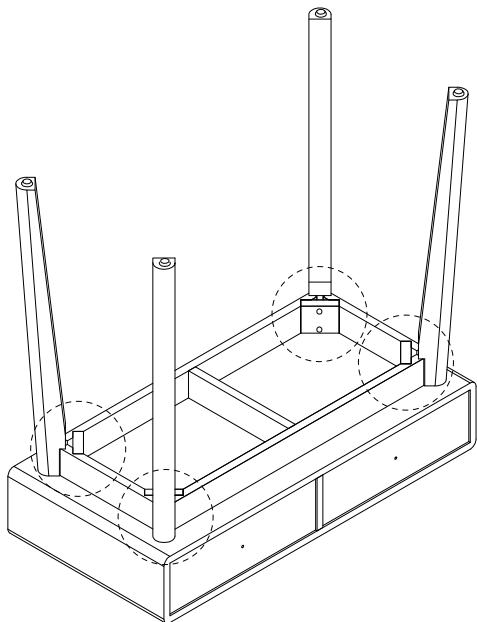
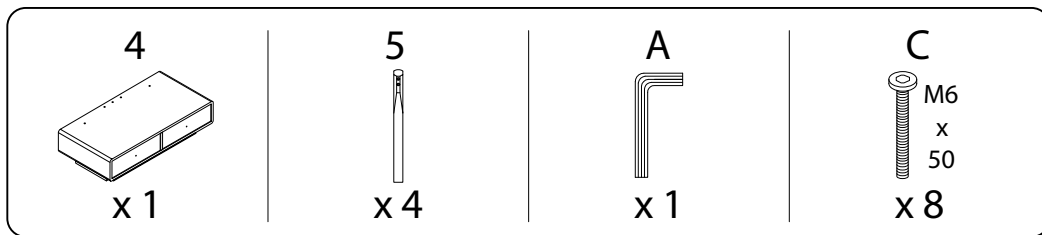
x 2

K

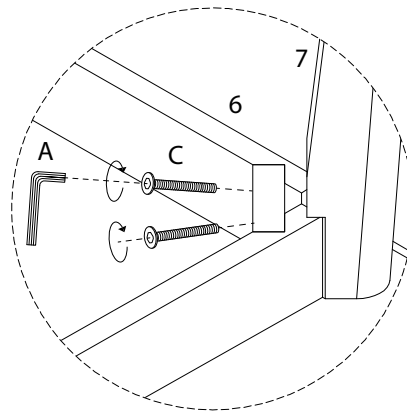
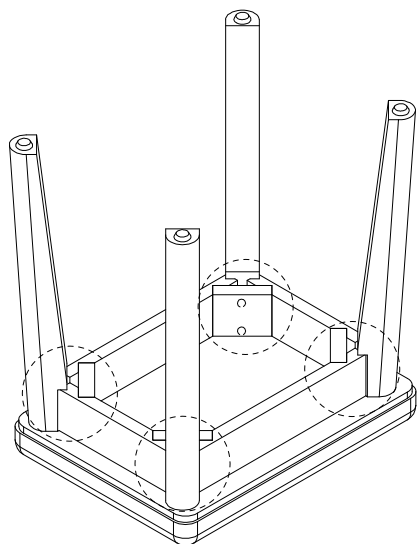
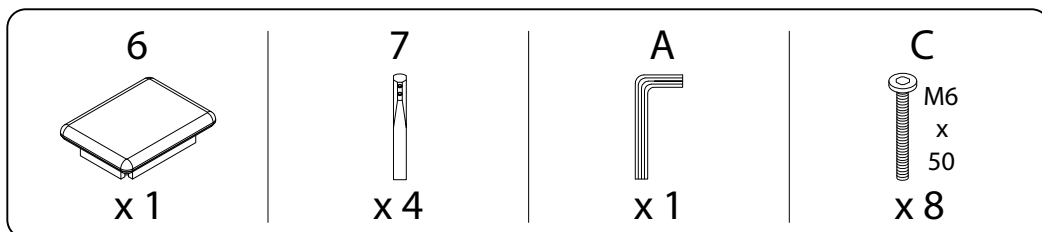


x 1

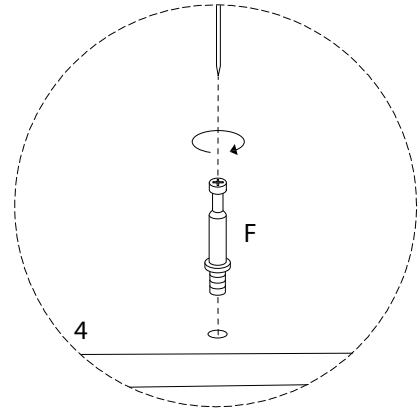
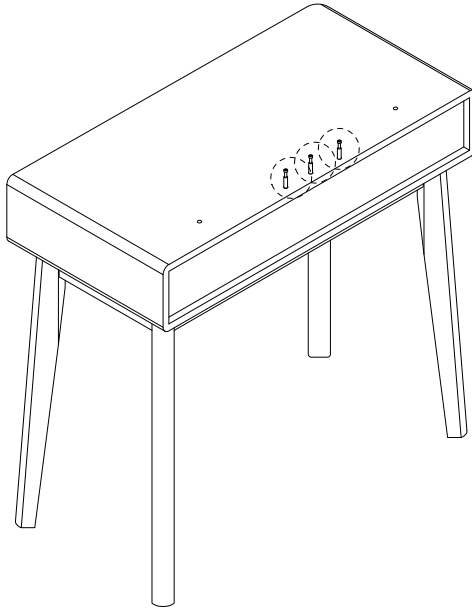
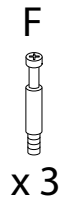
1



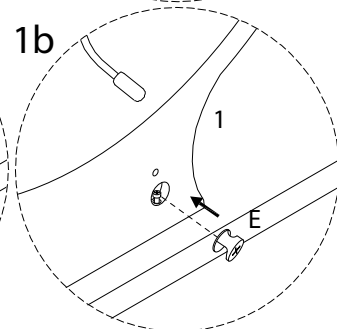
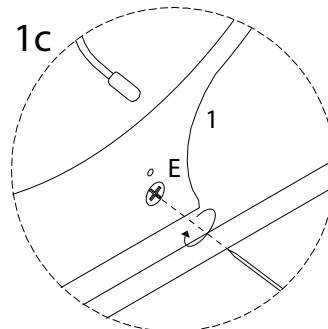
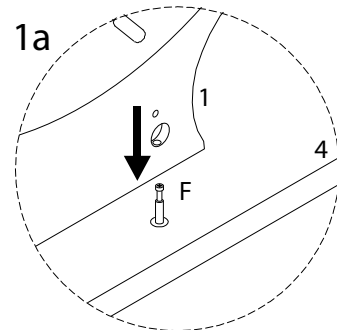
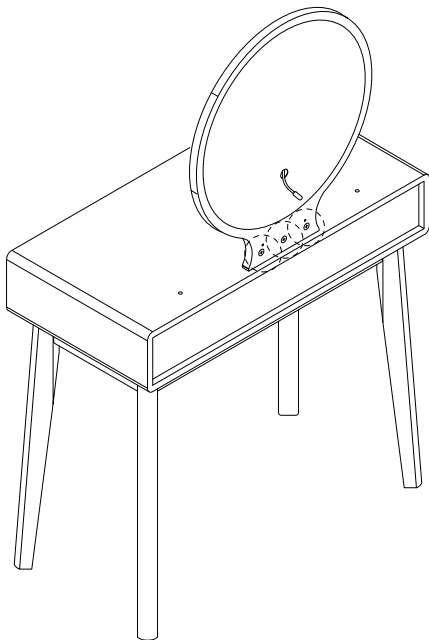
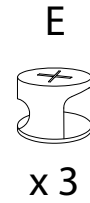
2



3



4



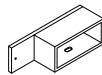
5

2a



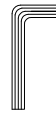
x 1

2b



x 1

A

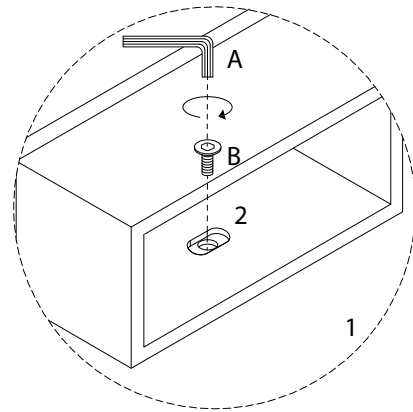
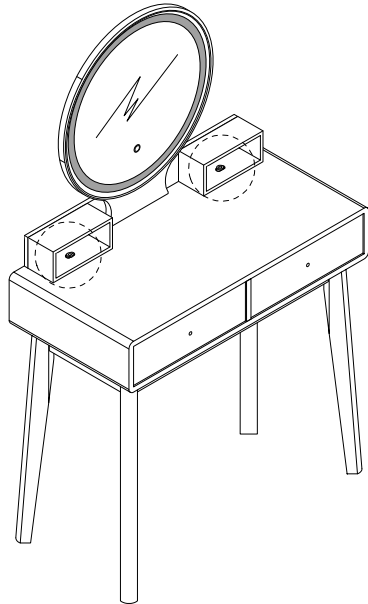


x 1

B

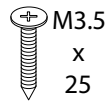


x 2

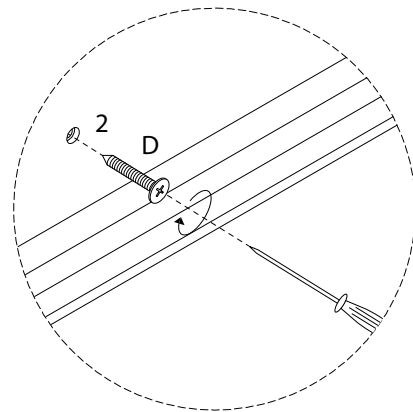
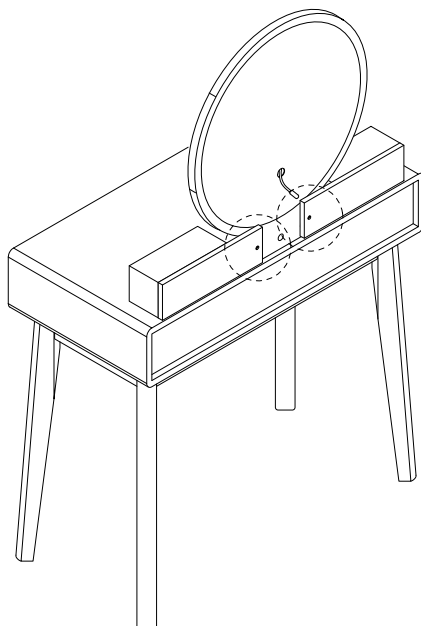


6

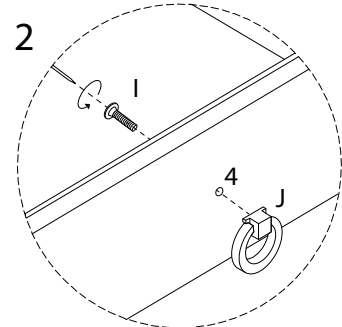
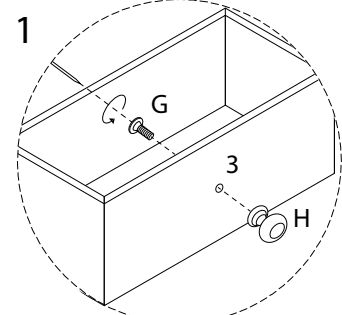
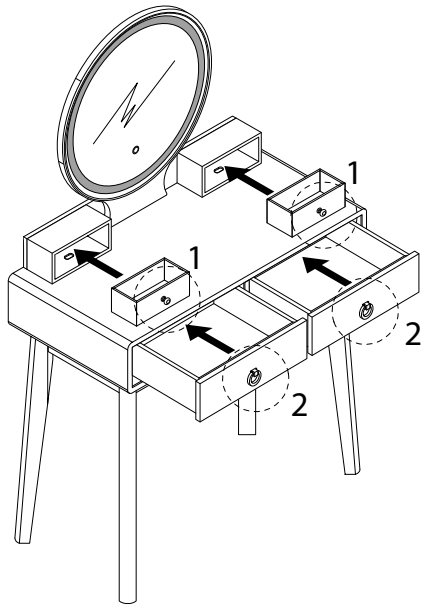
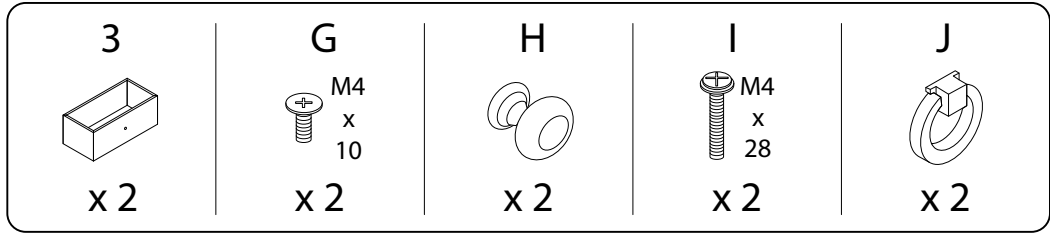
B



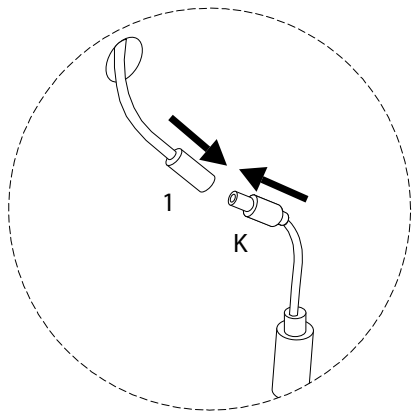
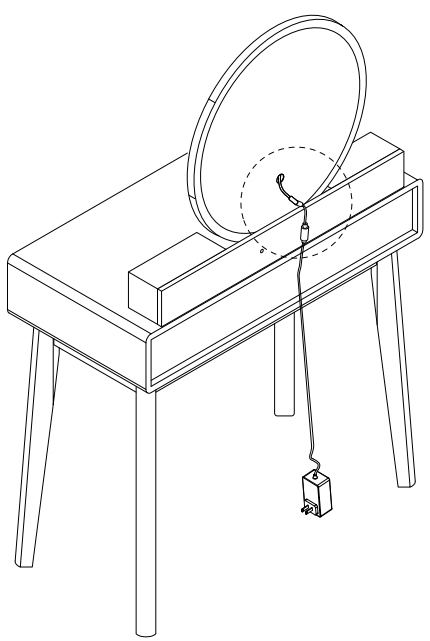
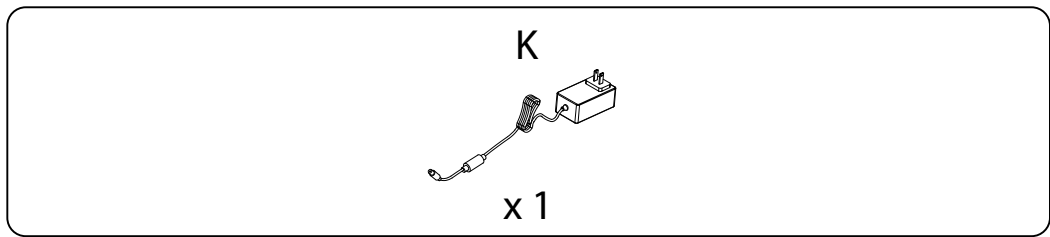
x 2



7



8



9

