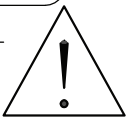
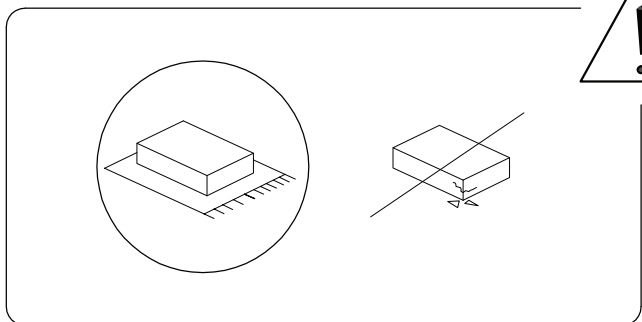
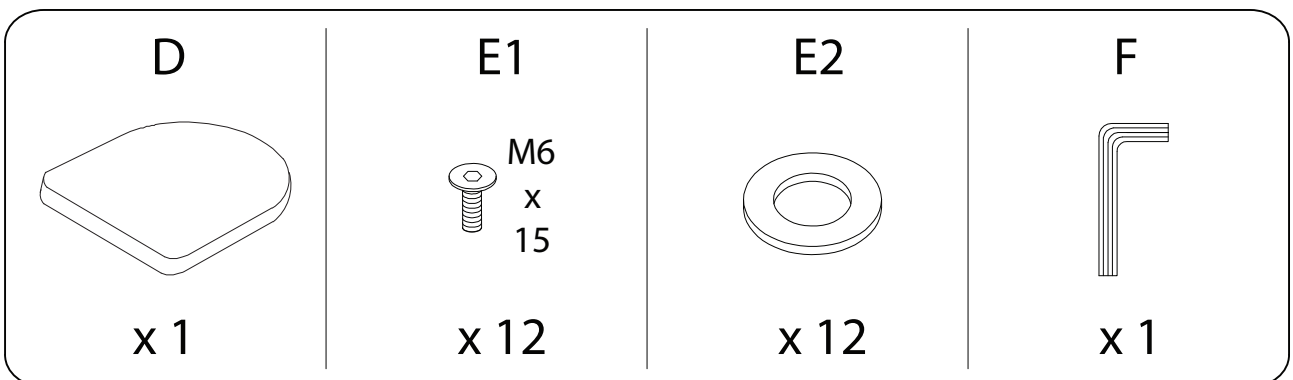
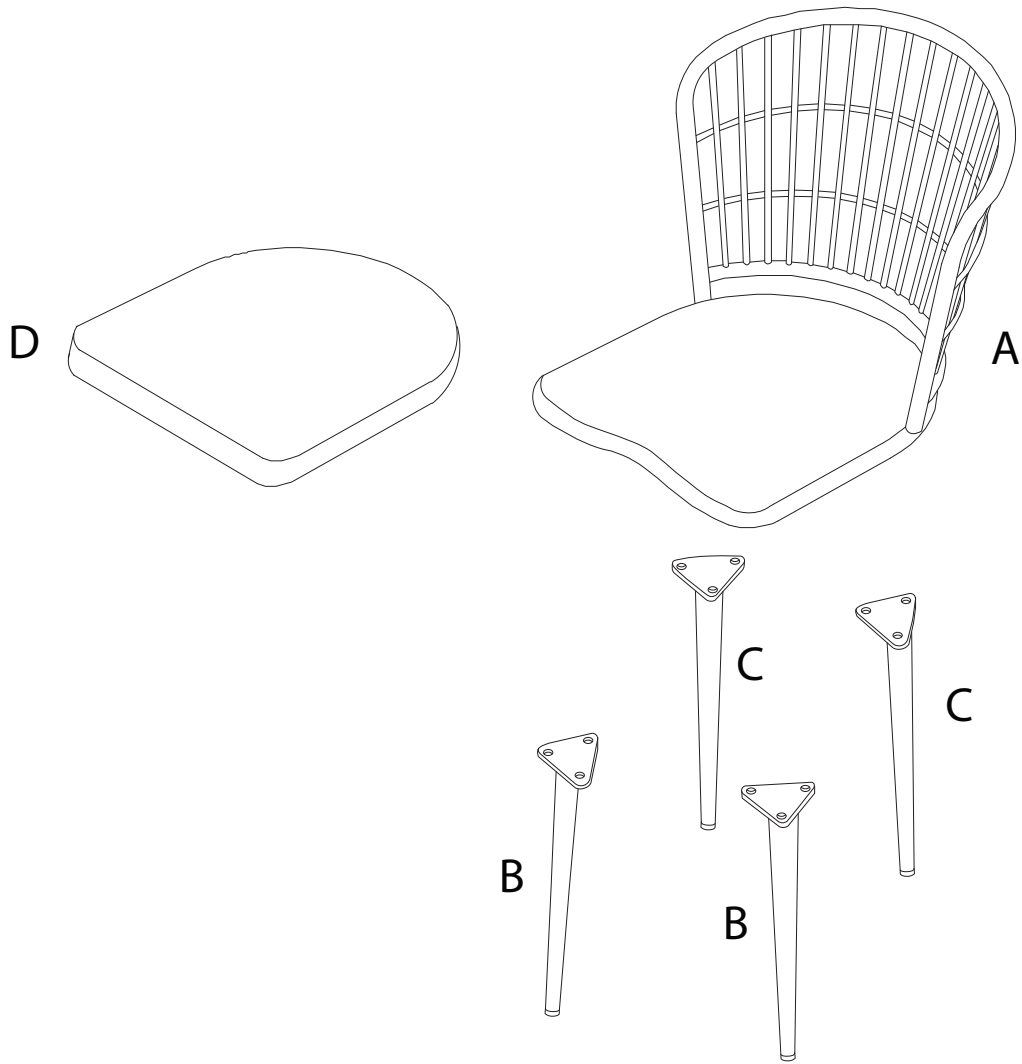
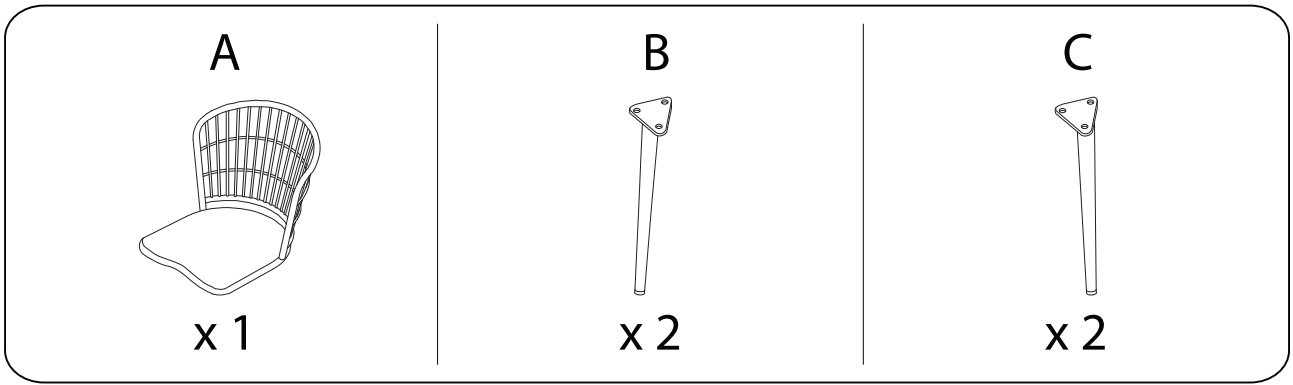


50'

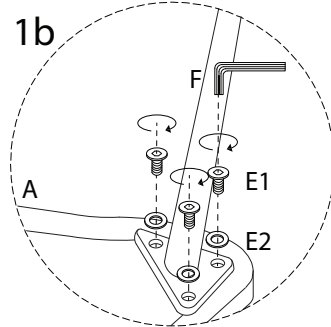
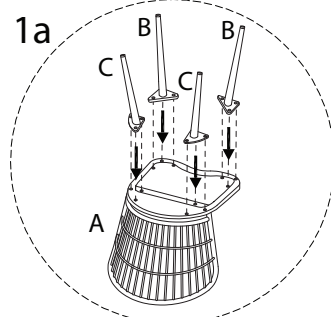
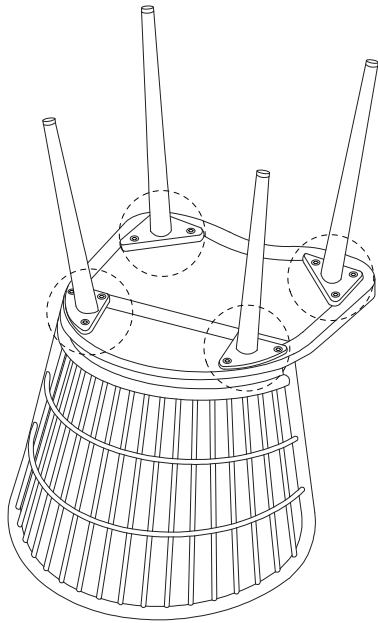
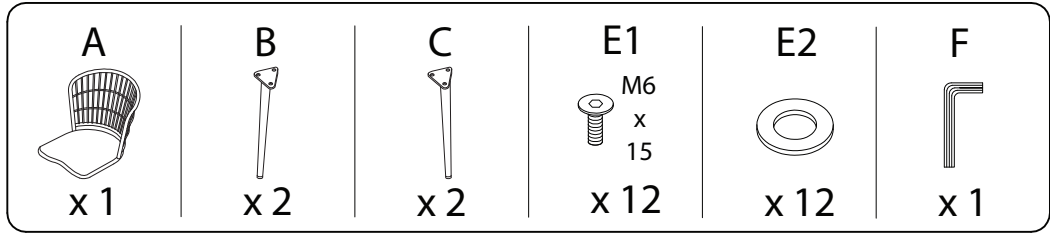


2

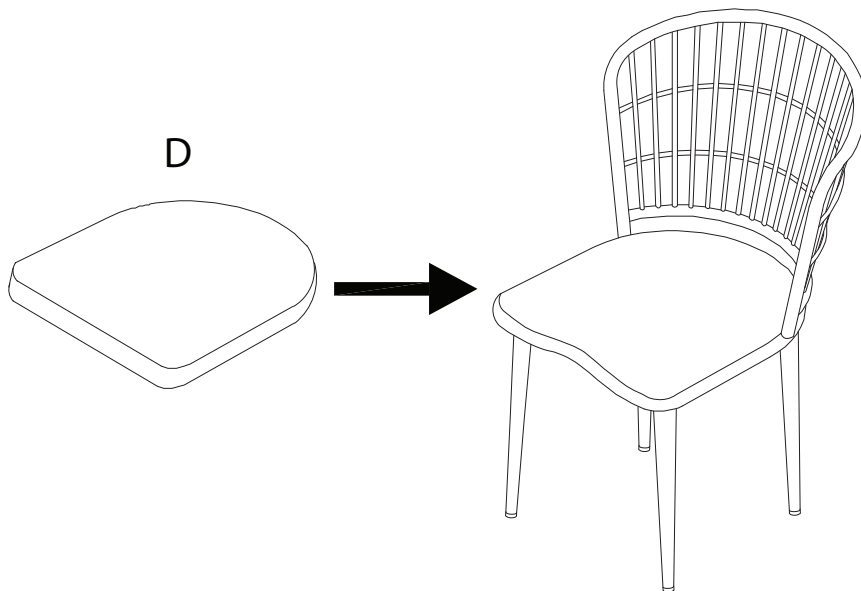
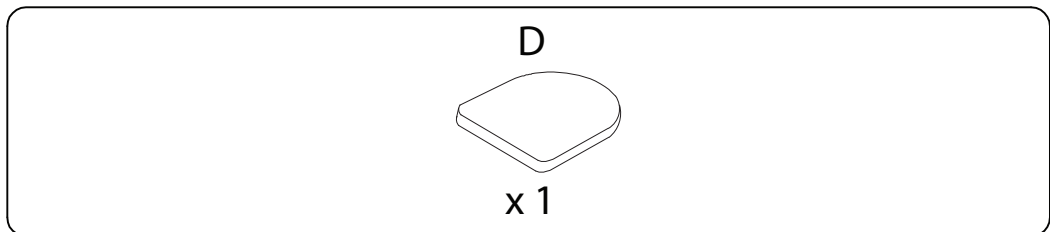
A x 4



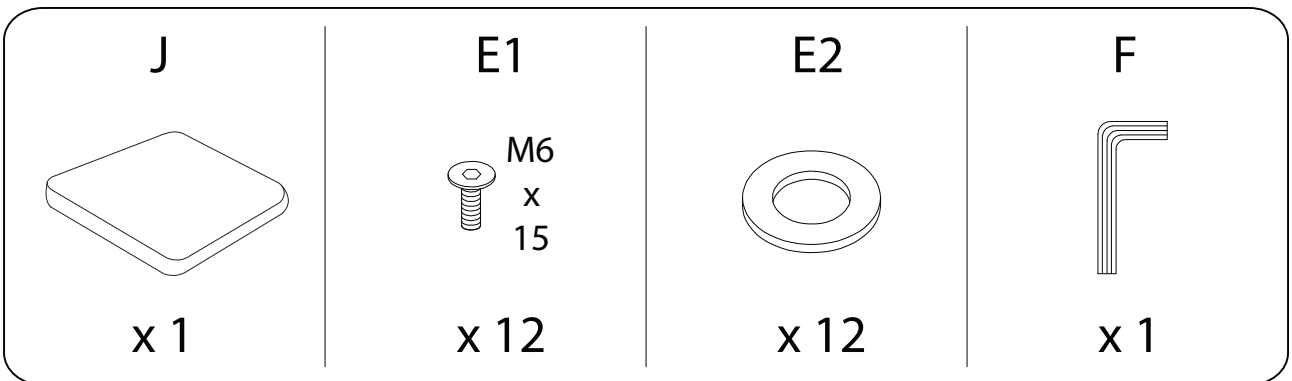
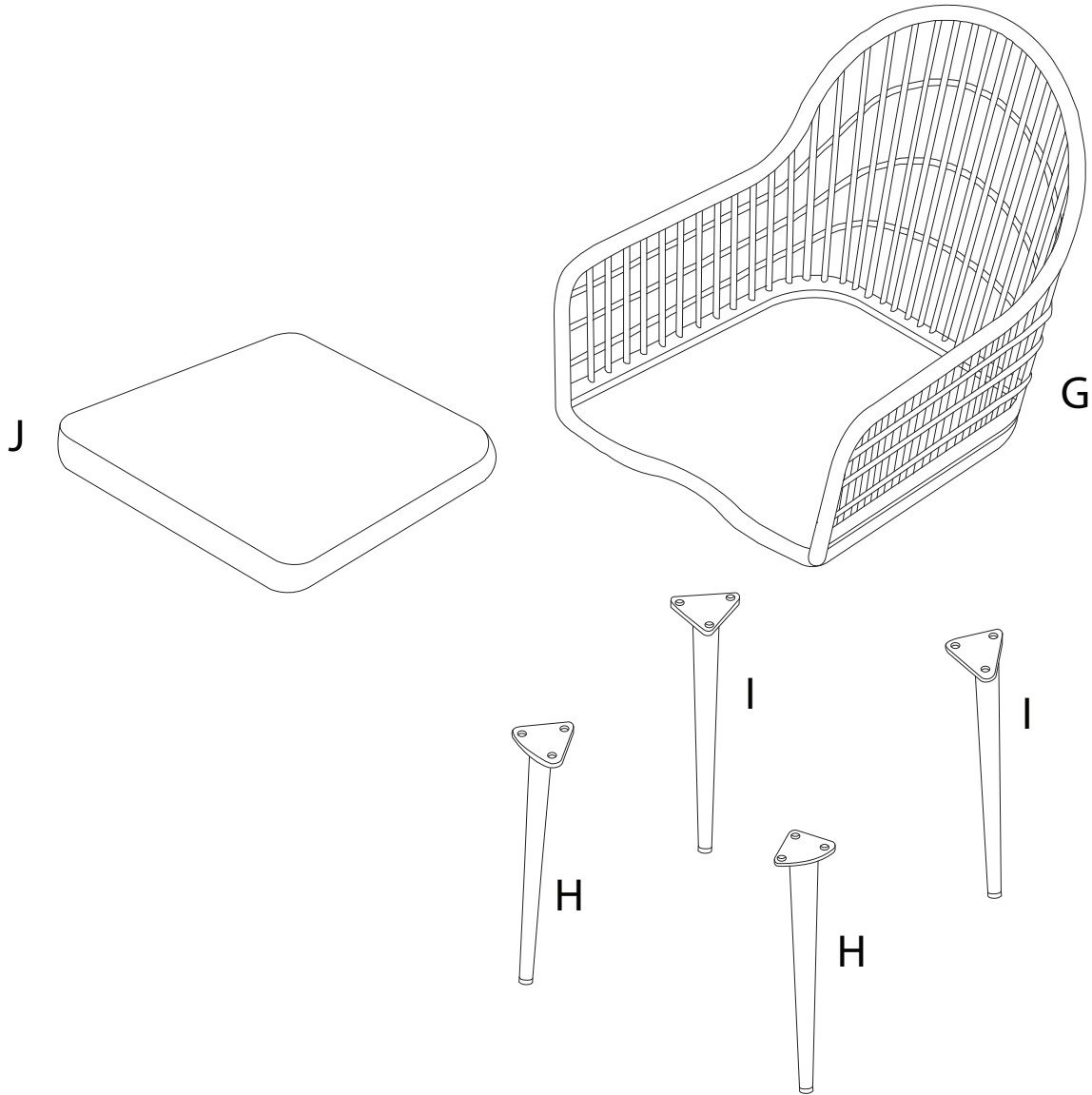
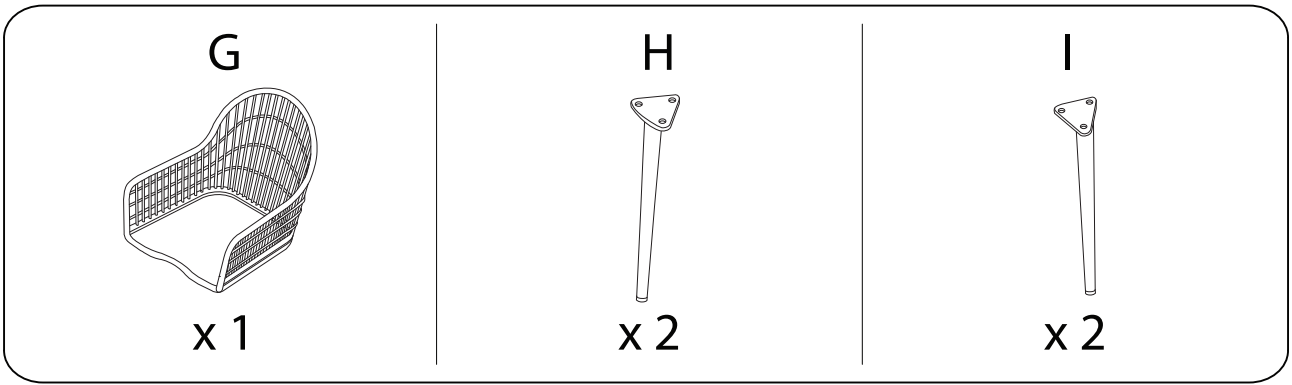
1



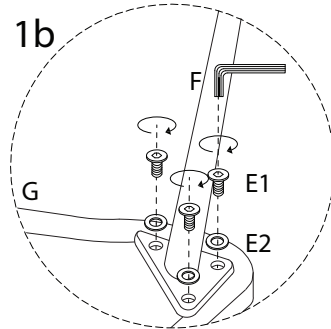
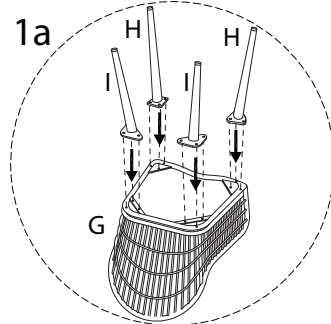
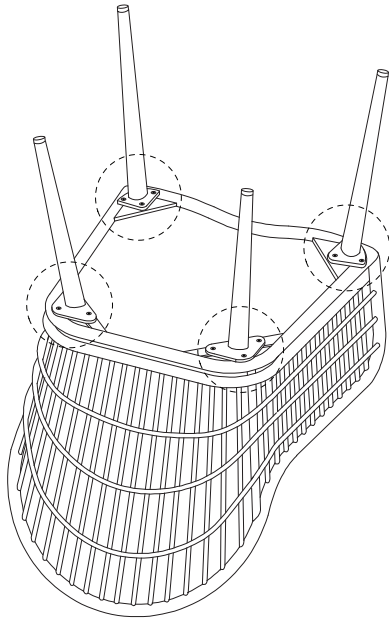
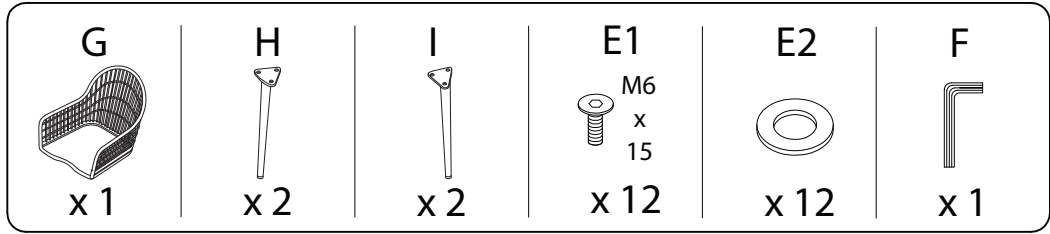
2



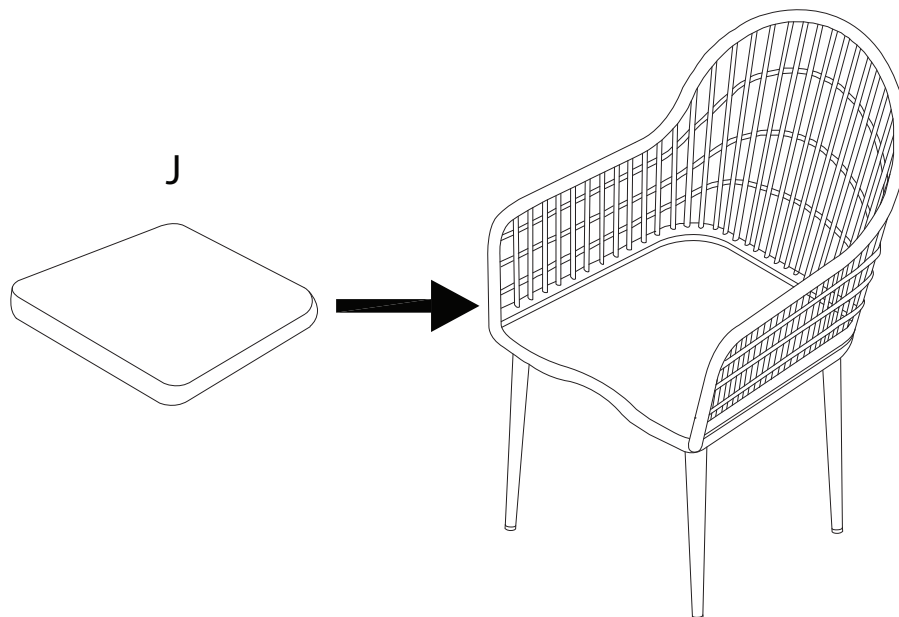
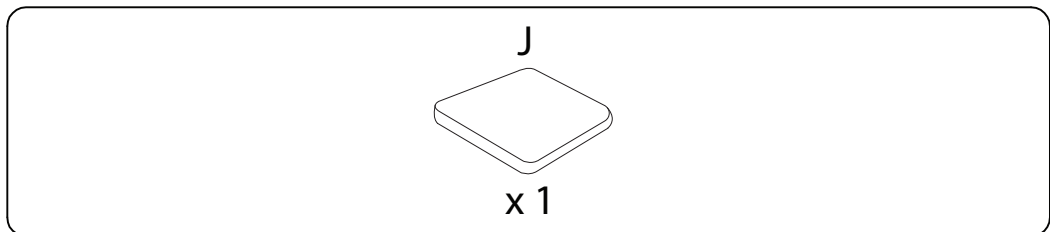
B x 2



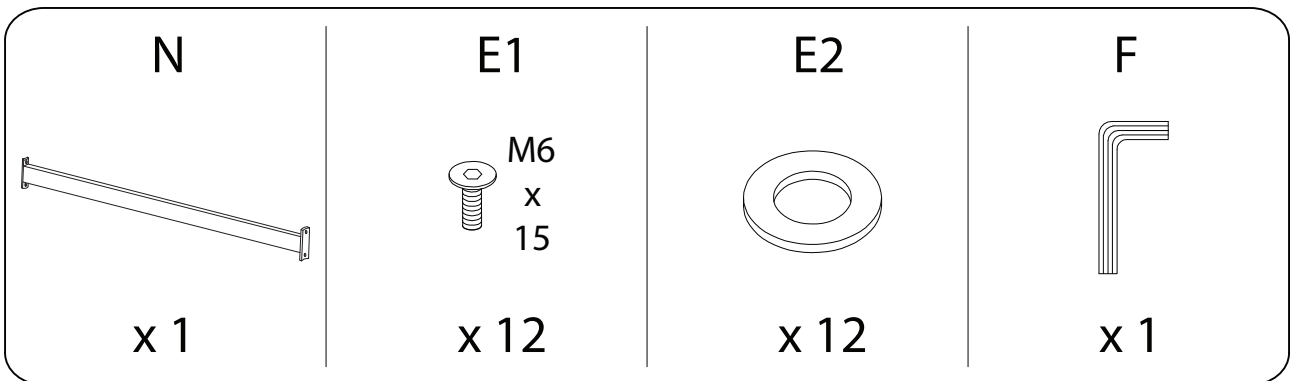
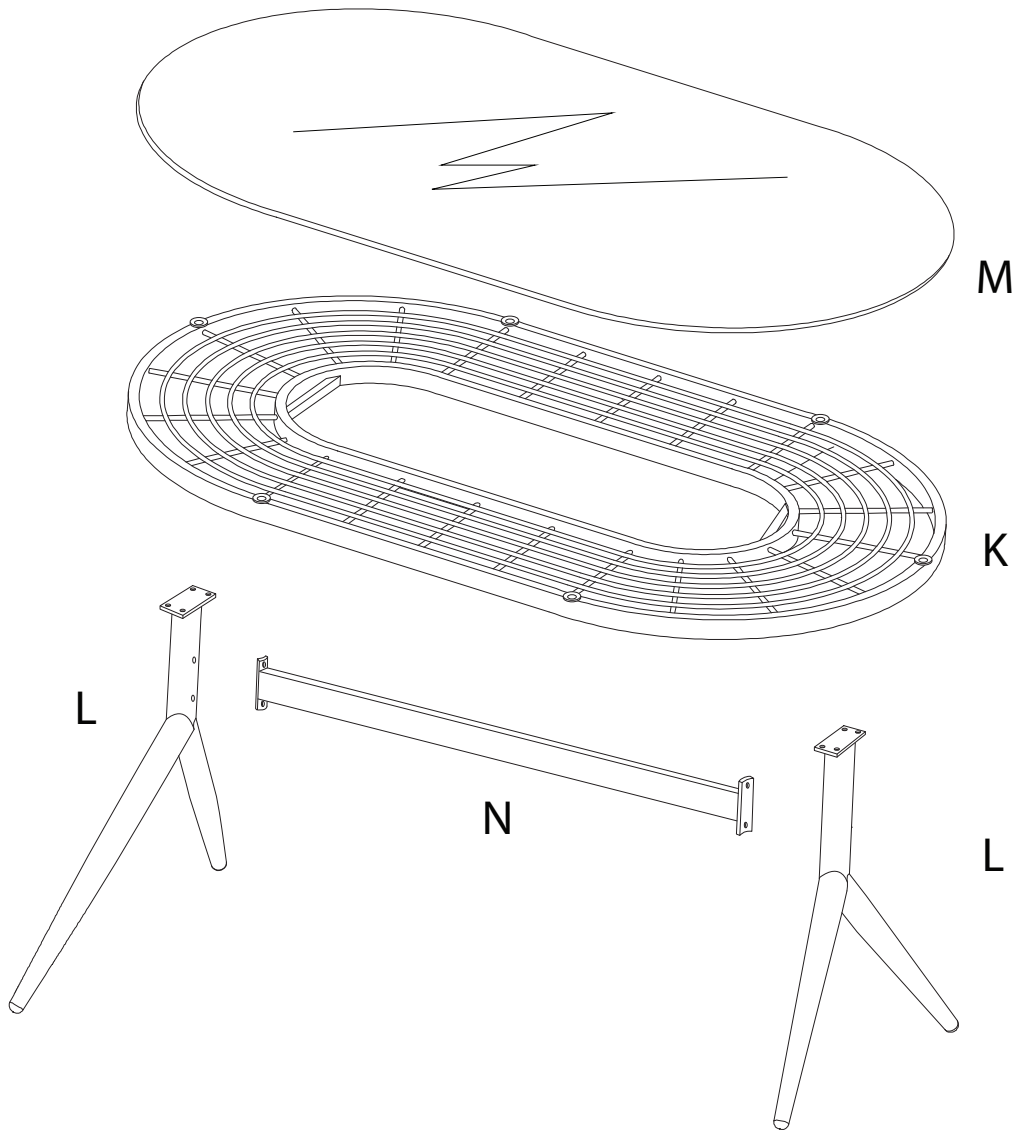
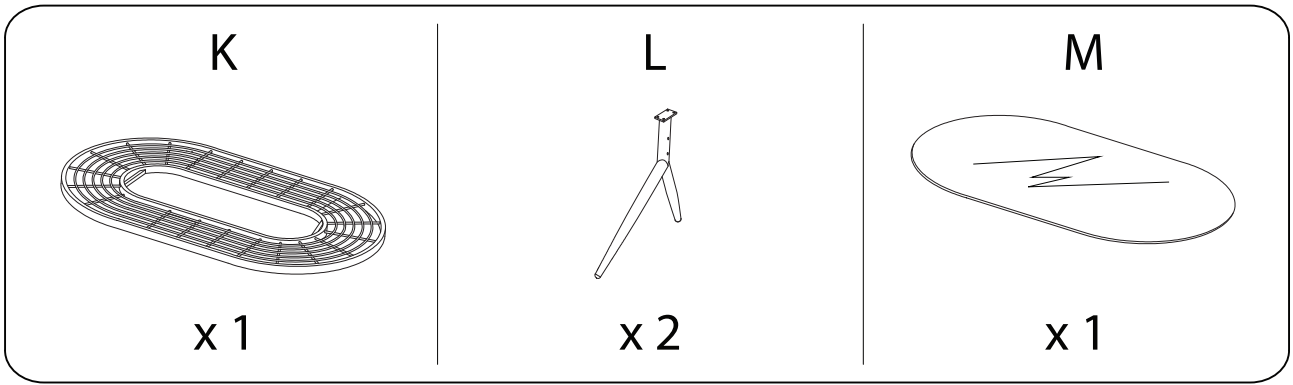
1



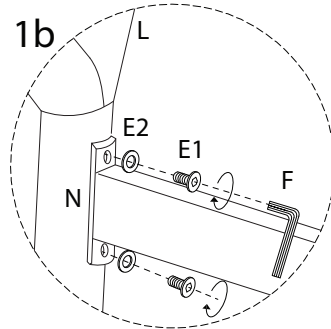
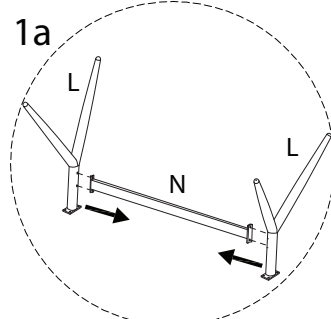
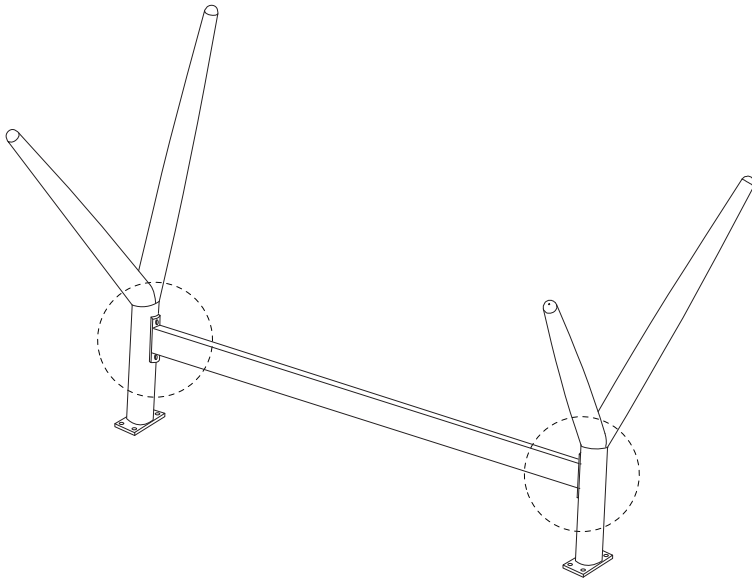
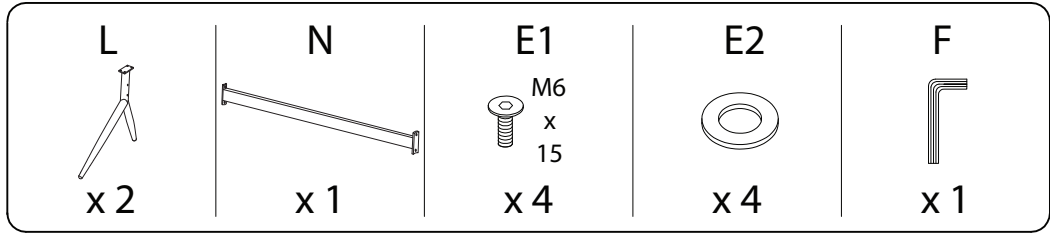
2



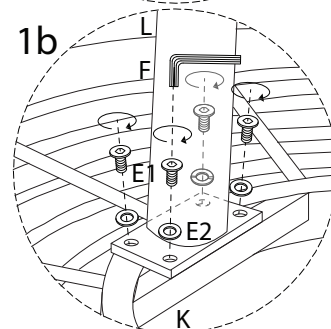
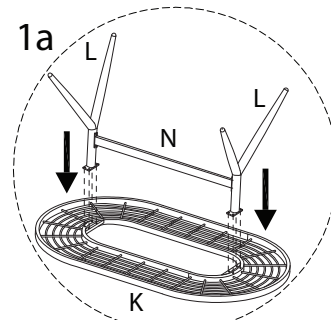
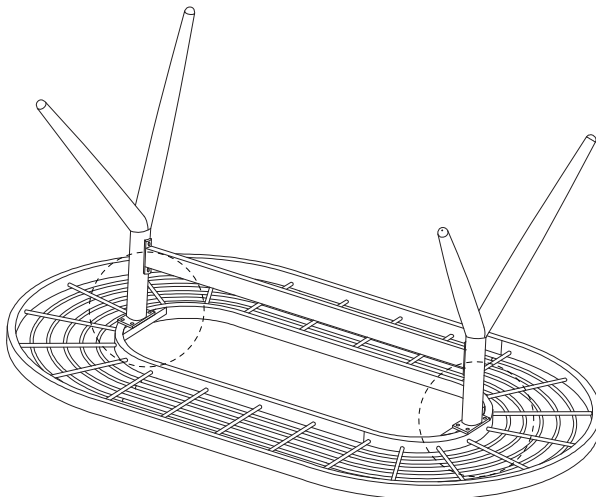
C



1



2



3

