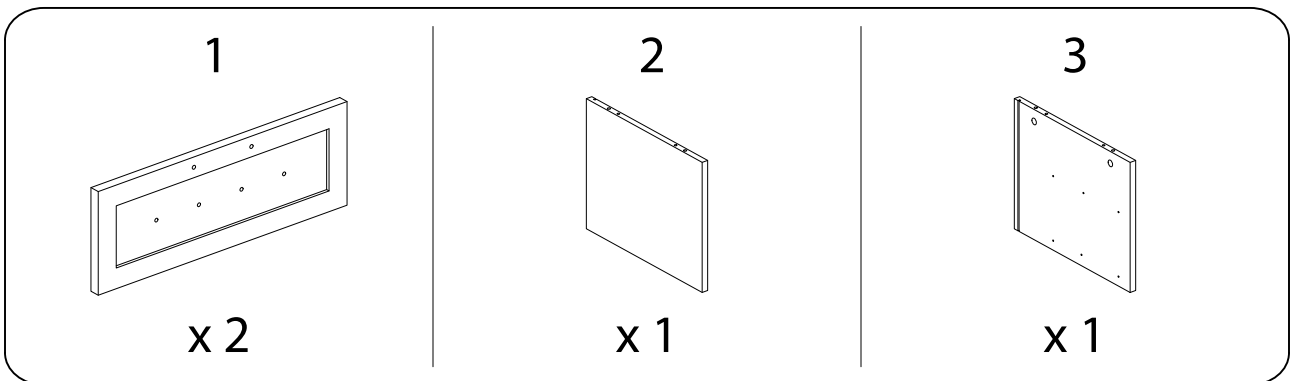
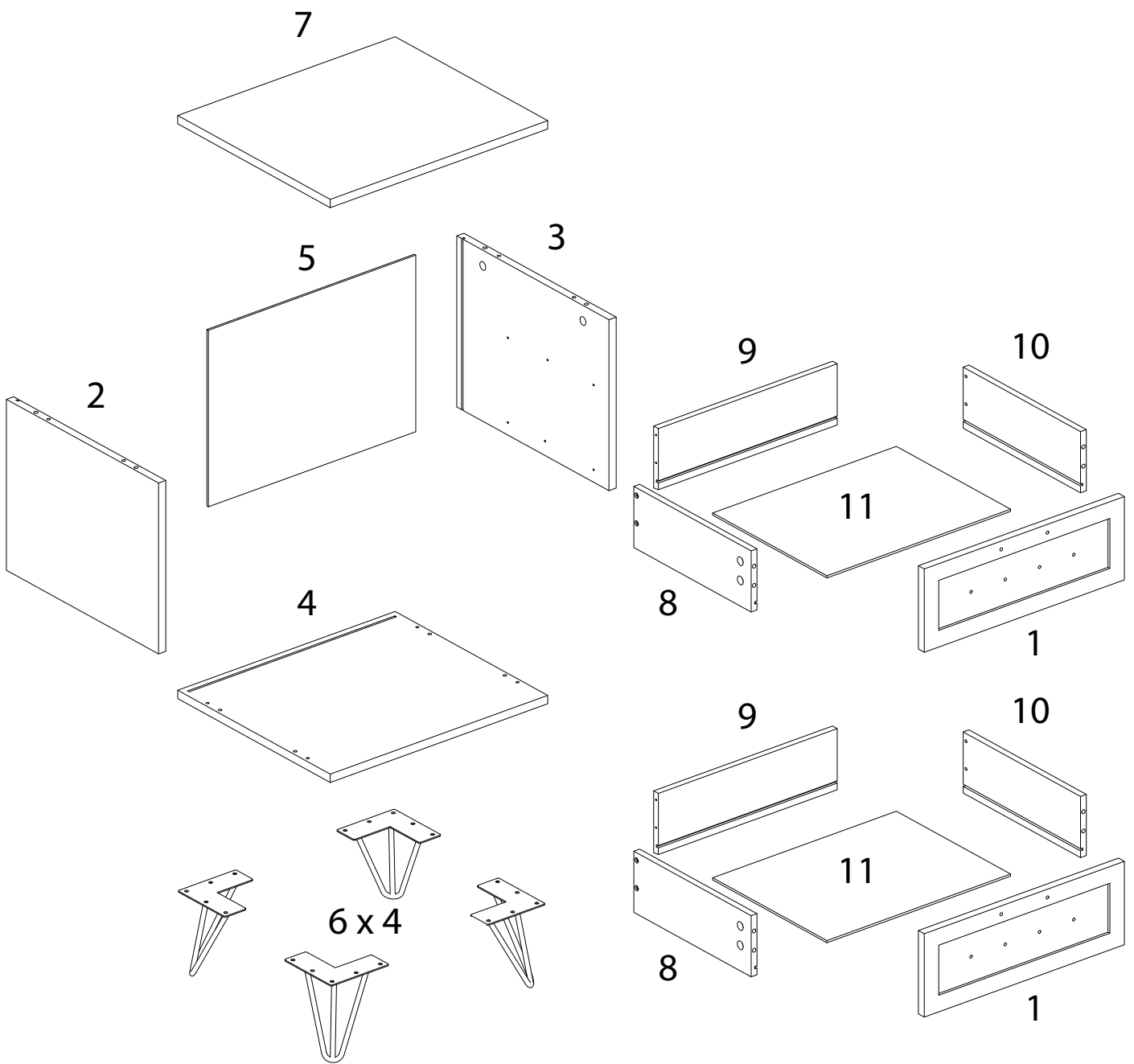


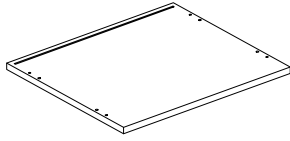


Assembly instructions for step 1/12:

- Tools:** A screwdriver is shown as the required tool. A power drill is shown with a diagonal line through it, indicating it is not to be used.
- Warning:** A warning triangle with an exclamation mark is positioned to the right of the tool icons.
- Time:** A clock icon is shown with the text "30'" below it, indicating the estimated assembly time for this step.
- Personnel:** An icon of a person is shown with the number "1" below it, indicating that one person is required for this step.
- Diagram:** A diagram shows a rectangular block being placed on a textured surface. A second diagram shows the block being tilted, with a diagonal line through it, indicating that the block should be placed flat and not tilted.

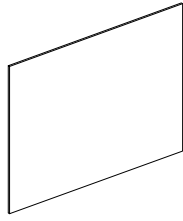


4



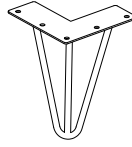
x 1

5



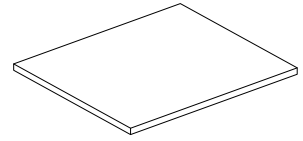
x 1

6



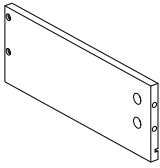
x 4

7



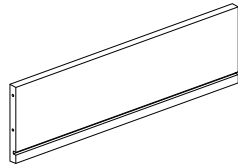
x 1

8



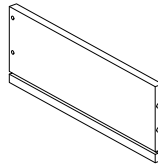
x 2

9



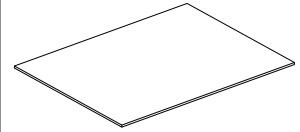
x 2

10

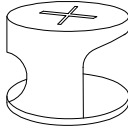

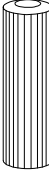

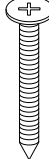

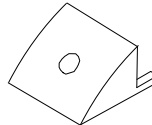
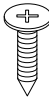
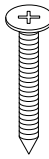

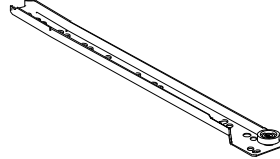
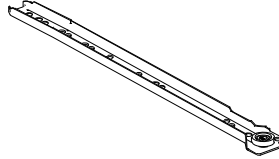
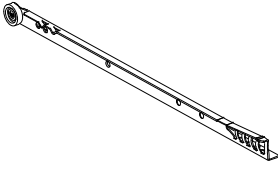
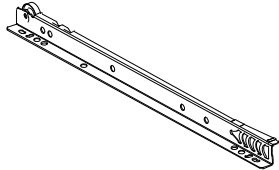
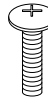
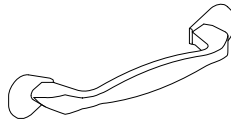


x 2

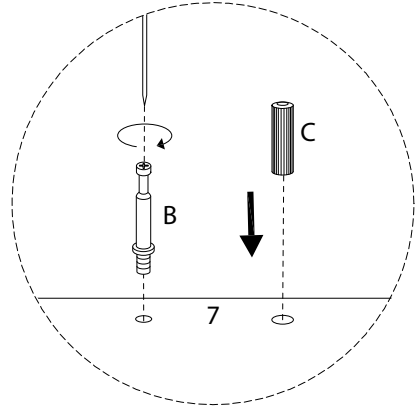
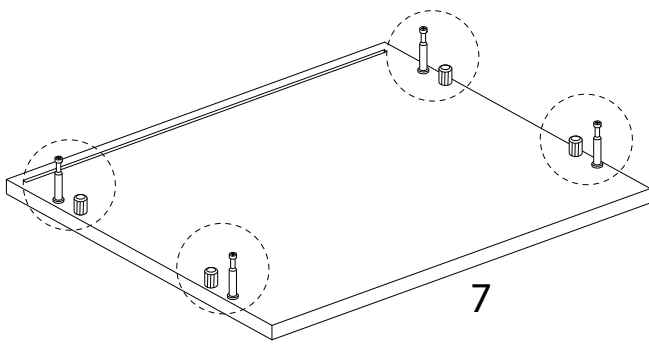
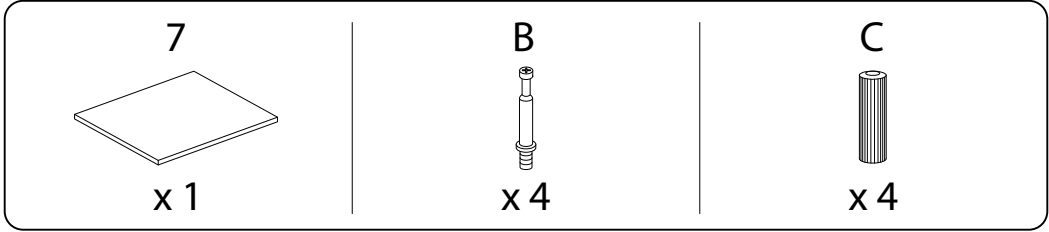
11



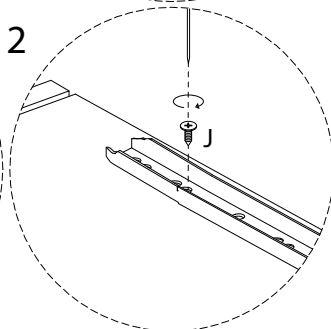
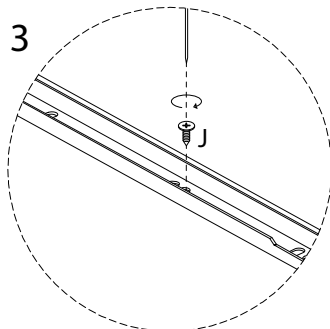
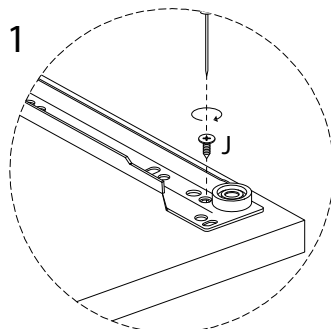
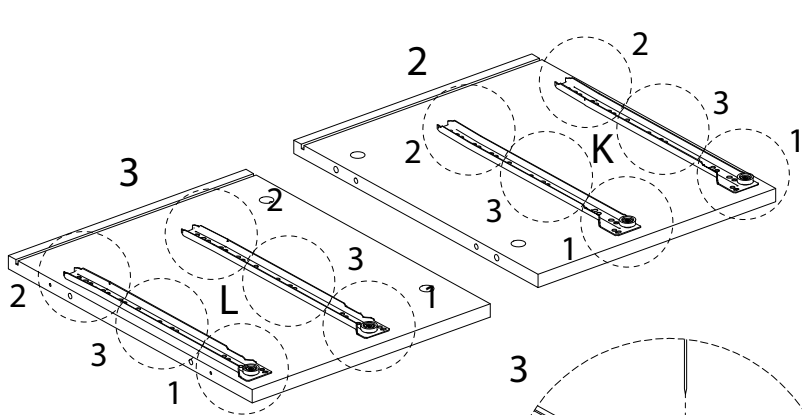
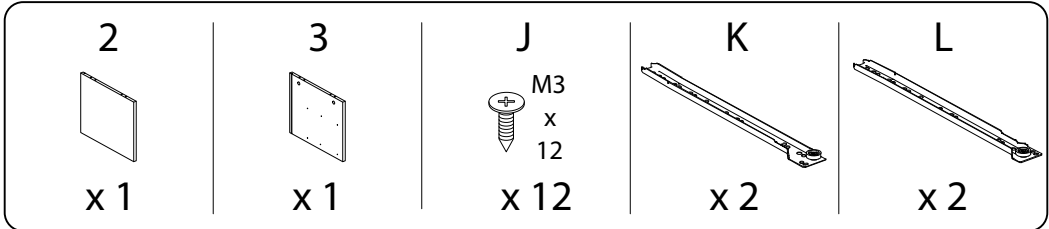
x 2

<p>A</p>  <p>x 12</p>	<p>B</p>  <p>x 4</p>	<p>C</p>  <p>x 8</p>	<p>D</p>  <p>x 8</p>
<p>E</p>  <p>M4 x 40</p> <p>x 4</p>	<p>F</p>  <p>M4 x 12</p> <p>x 20</p>	<p>G</p>  <p>x 4</p>	<p>H</p>  <p>M3 x 14</p> <p>x 4</p>
<p>I</p>  <p>M4 x 35</p> <p>x 8</p>	<p>J</p>  <p>M3 x 12</p> <p>x 24</p>	<p>K</p>  <p>x 2</p>	<p>L</p>  <p>x 2</p>
<p>M</p>  <p>x 2</p>	<p>N</p>  <p>x 2</p>	<p>O</p>  <p>M4 x 18</p> <p>x 4</p>	<p>P</p>  <p>x 2</p>

1



2

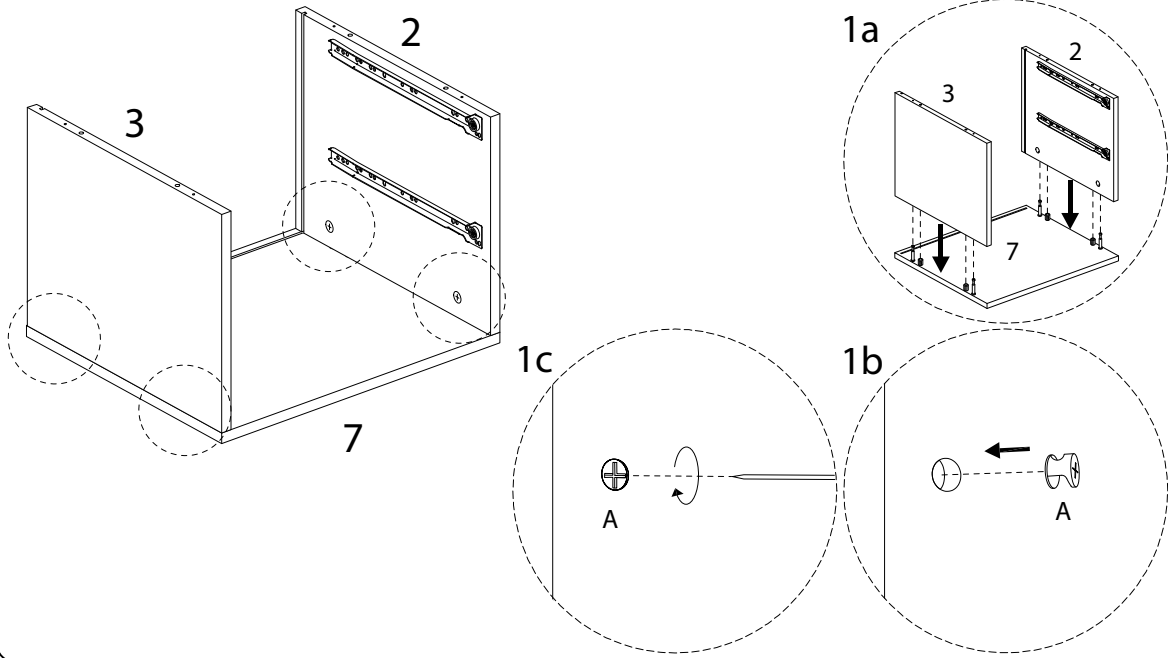


3

A

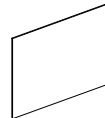


x 4

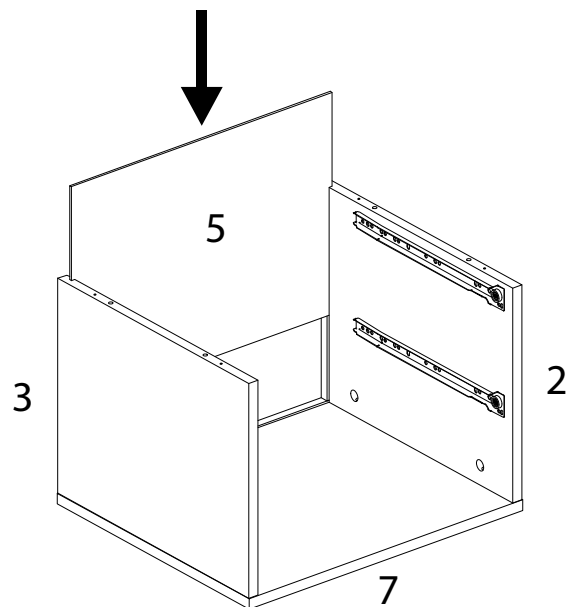


4

5



x 1

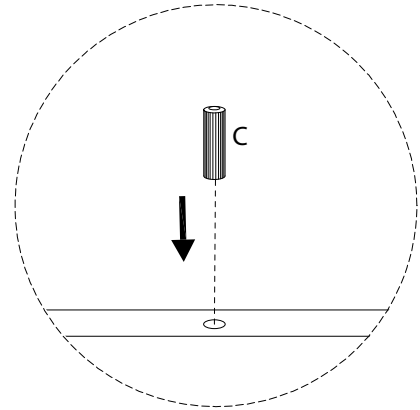
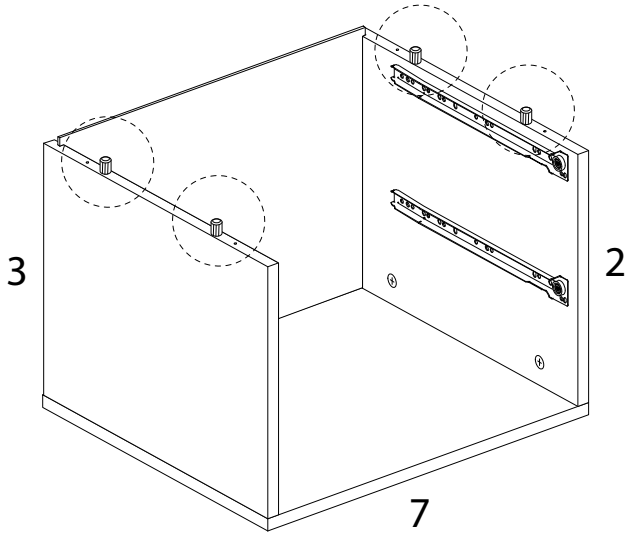


5

C

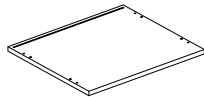


x 4



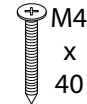
6

4

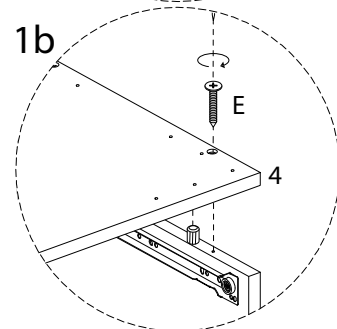
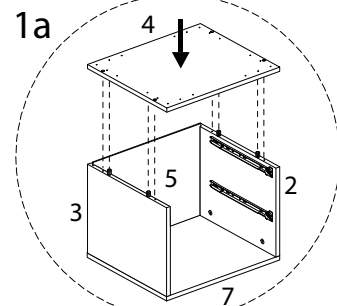
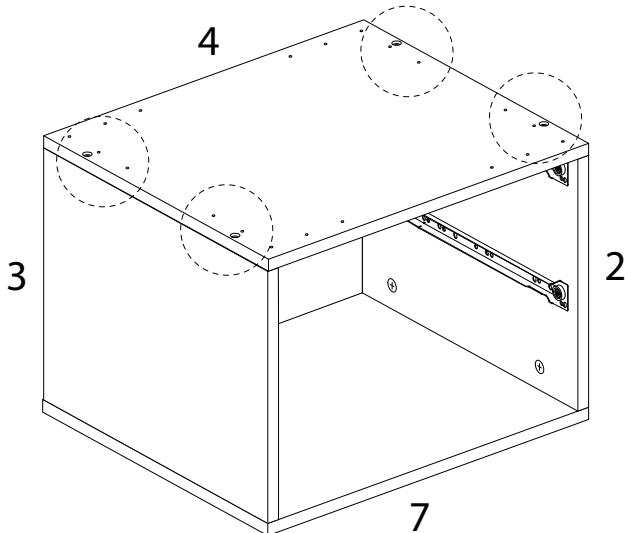


x 1

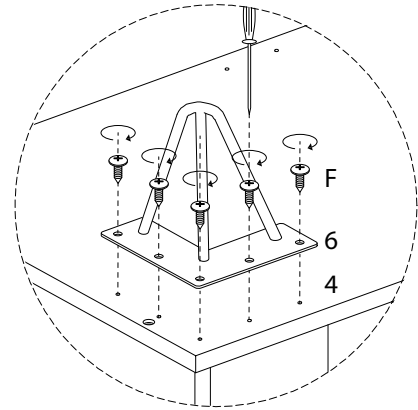
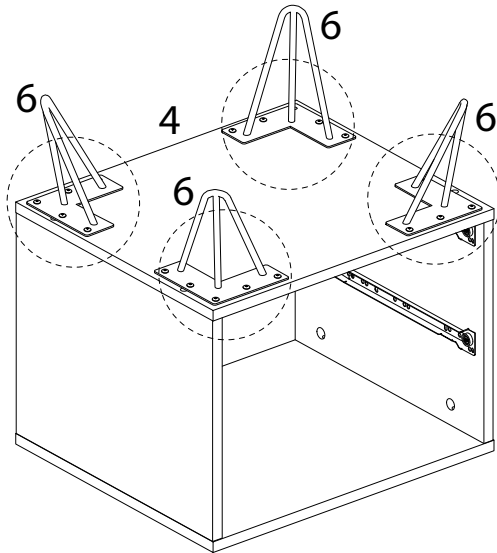
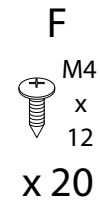
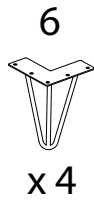
E



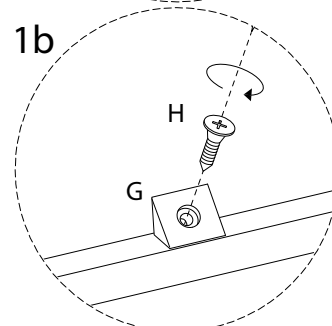
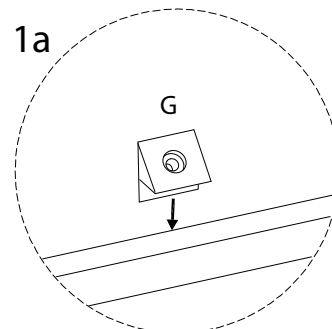
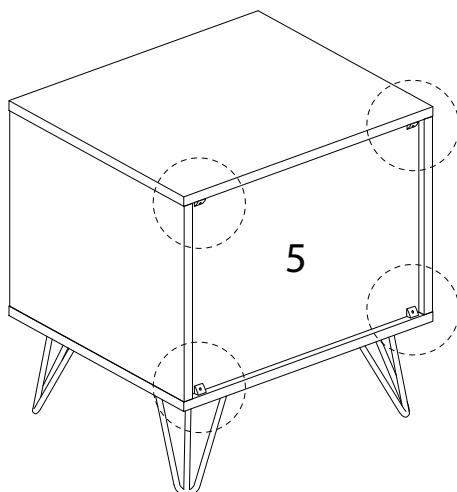
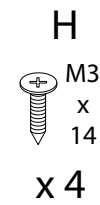
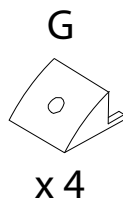
x 4



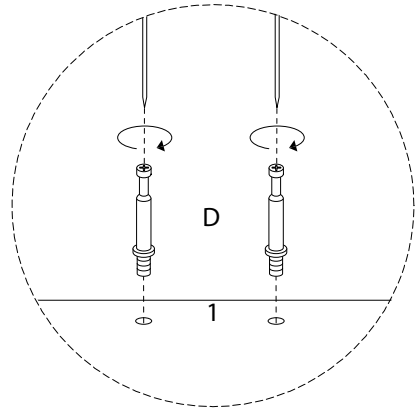
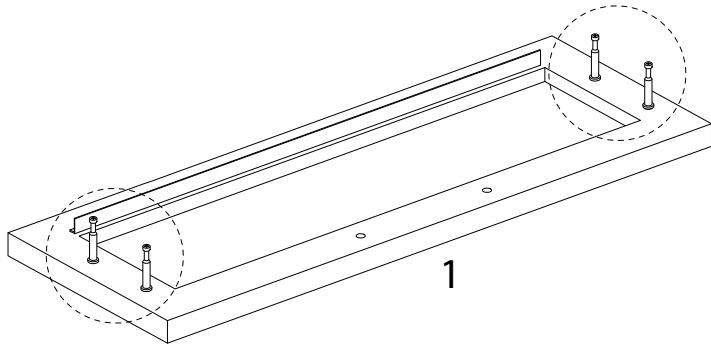
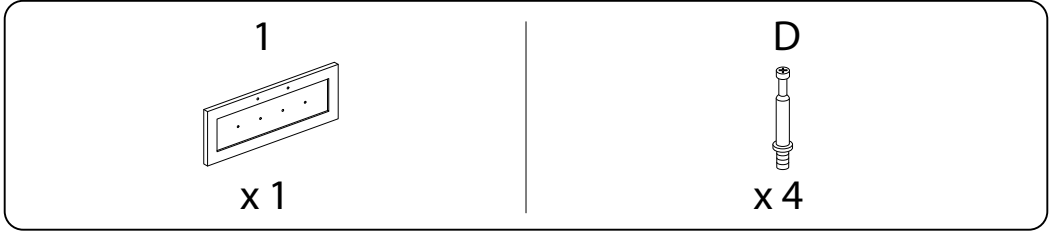
7



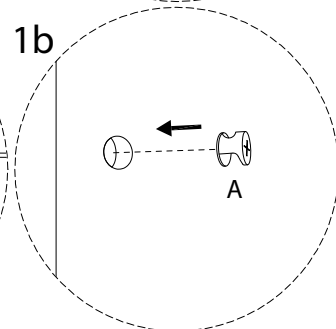
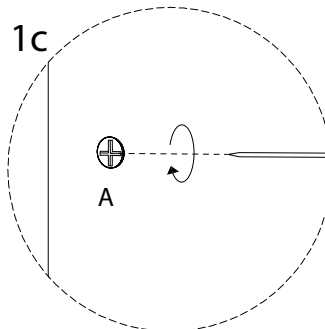
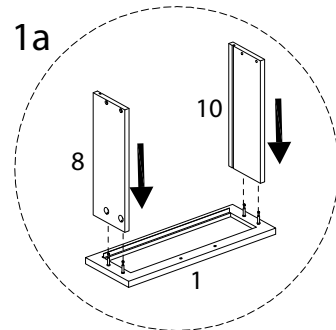
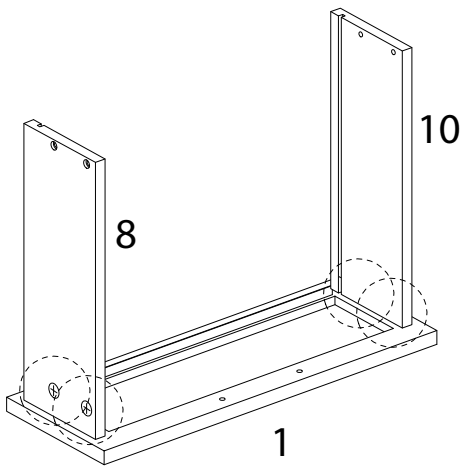
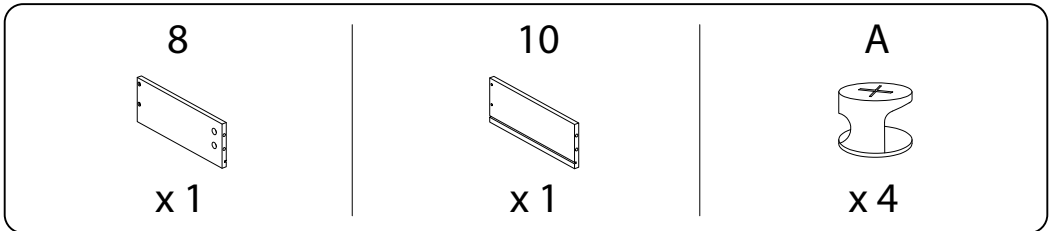
8



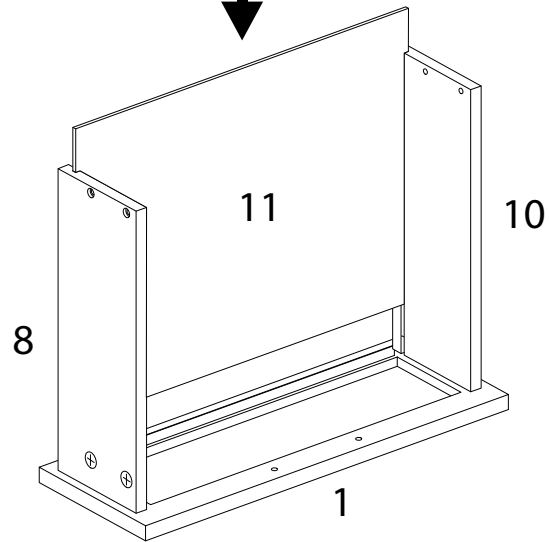
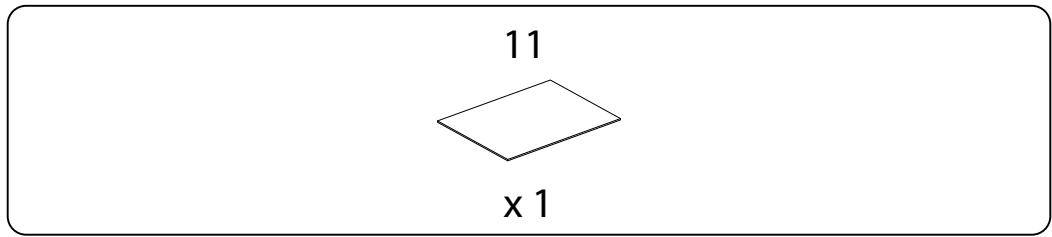
9 x 2



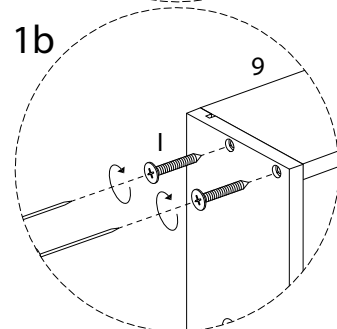
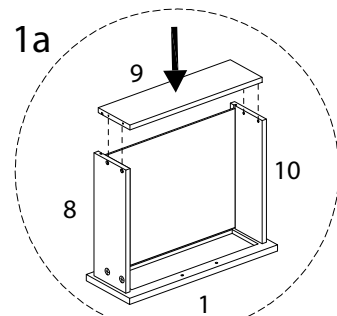
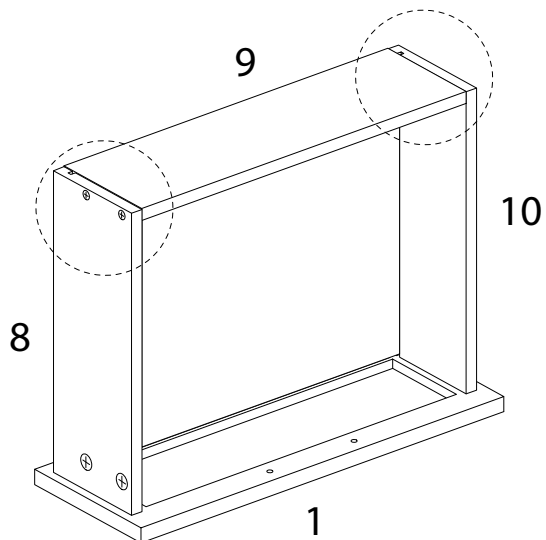
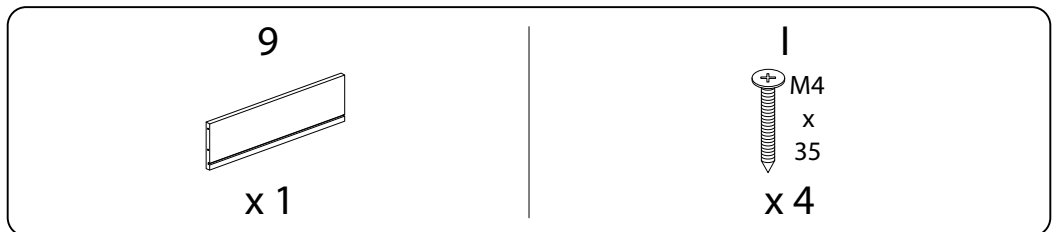
10 x 2



11 x 2



12 x 2

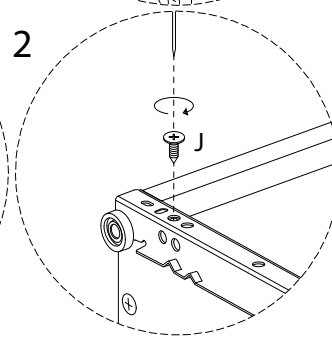
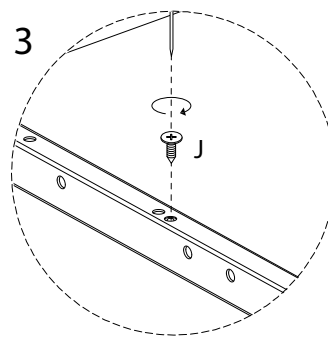
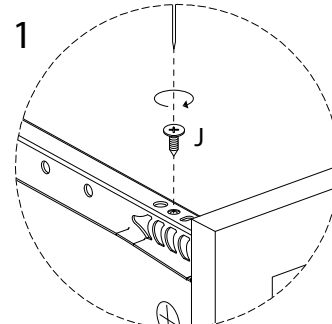
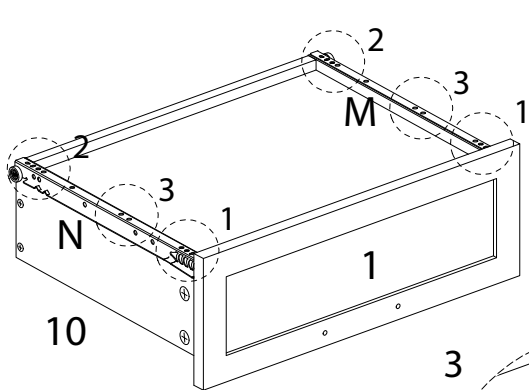


13 x 2

J
M3
x
12
x6

M
x1

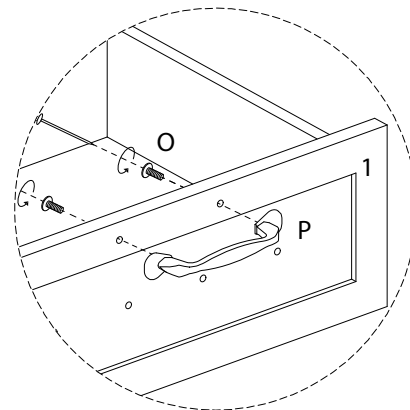
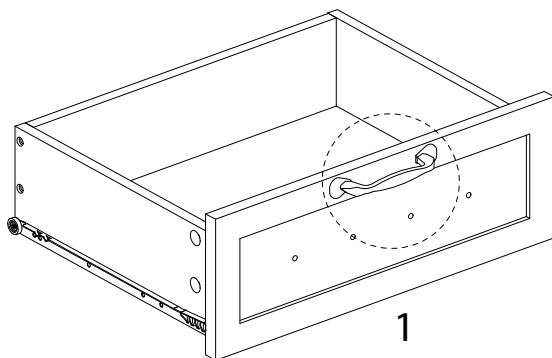
N
x1



14 x 2

O
M4
x
18
x2

P
x1



15

