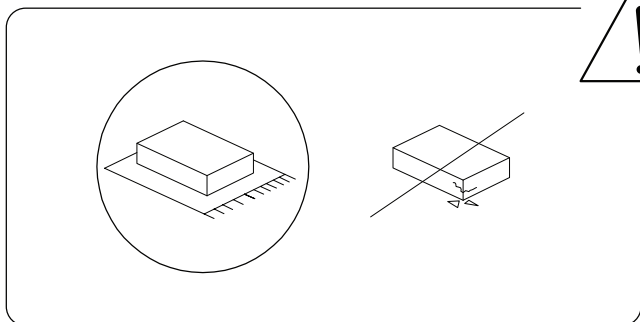
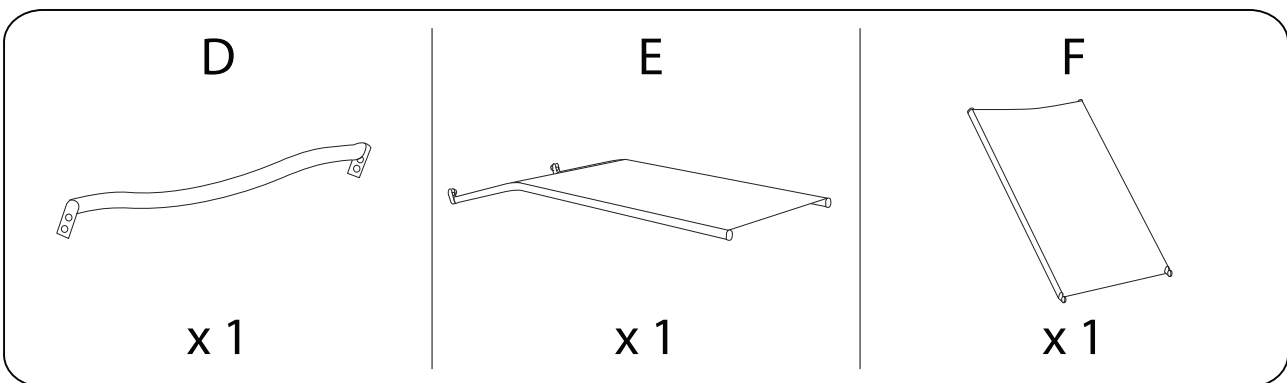
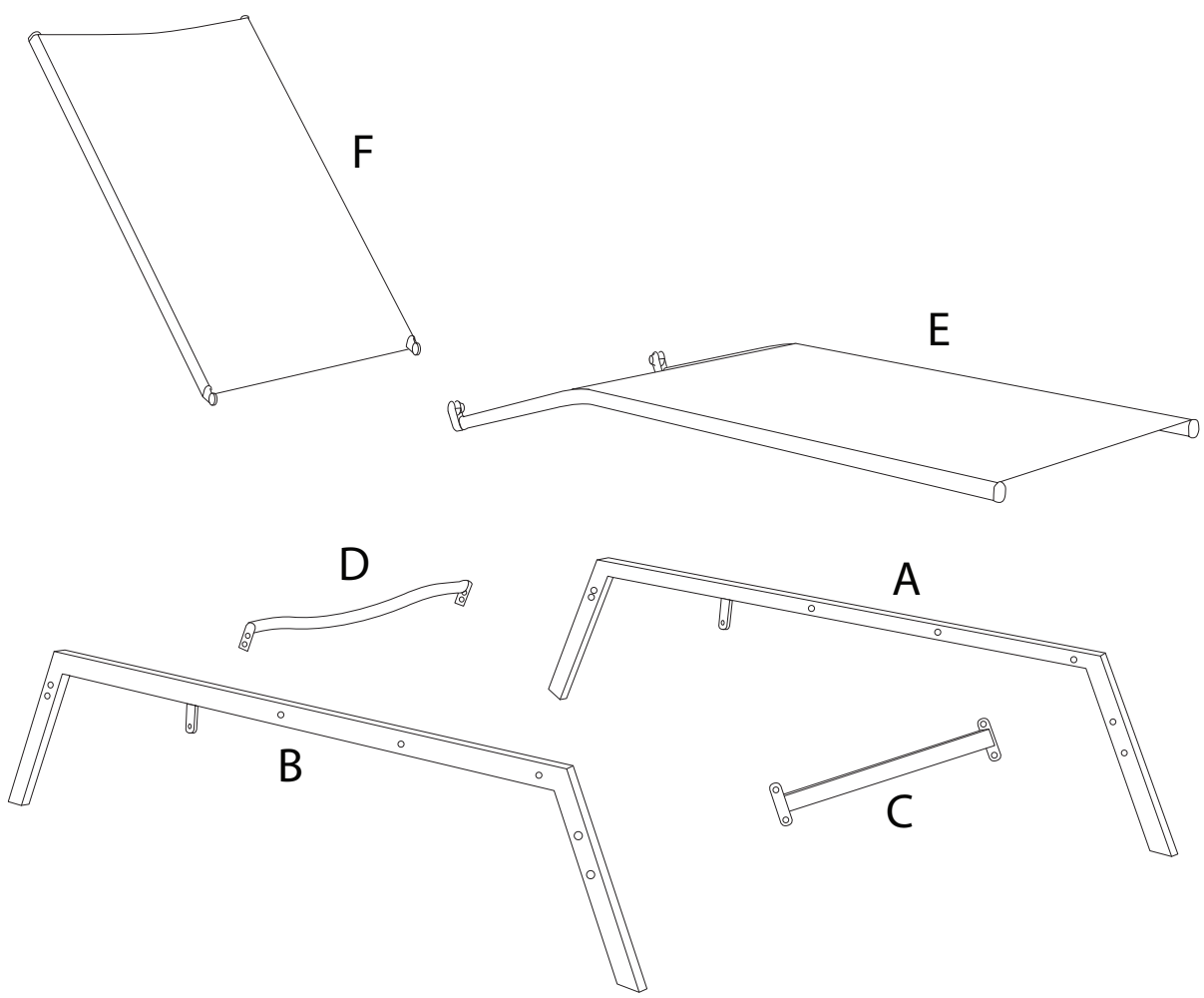
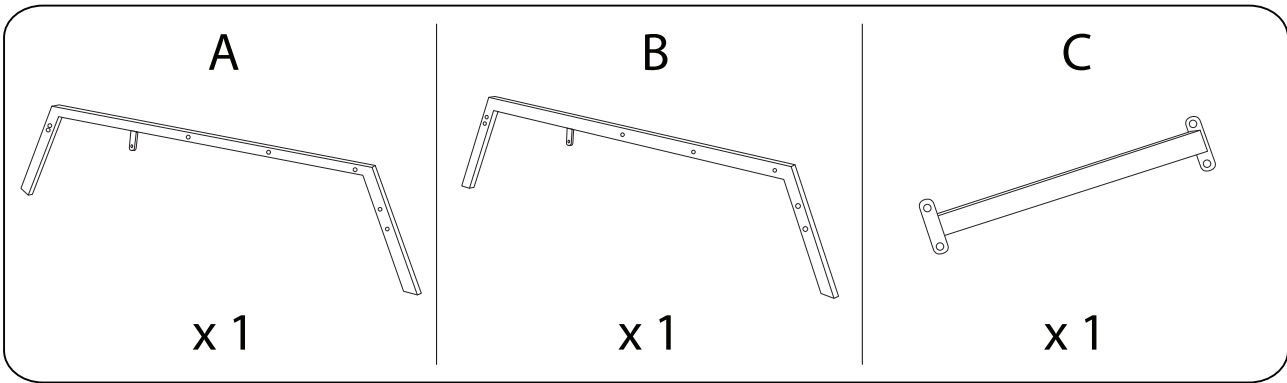


45'

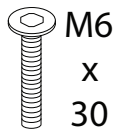


2

1/5

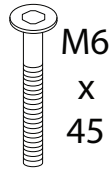


G



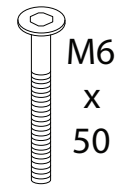
x 8

H



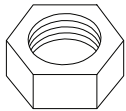
x 2

I



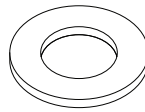
x 6

J



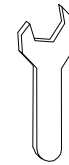
x 16

K



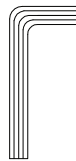
x 8

L



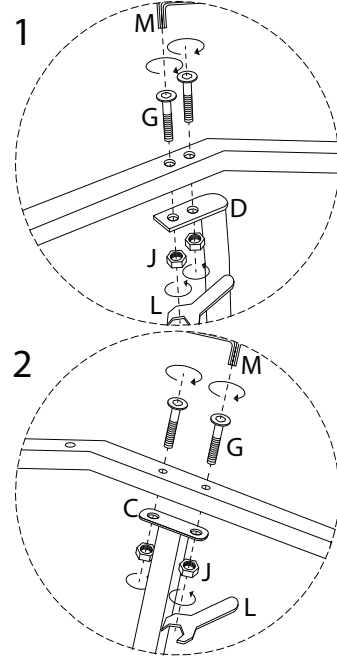
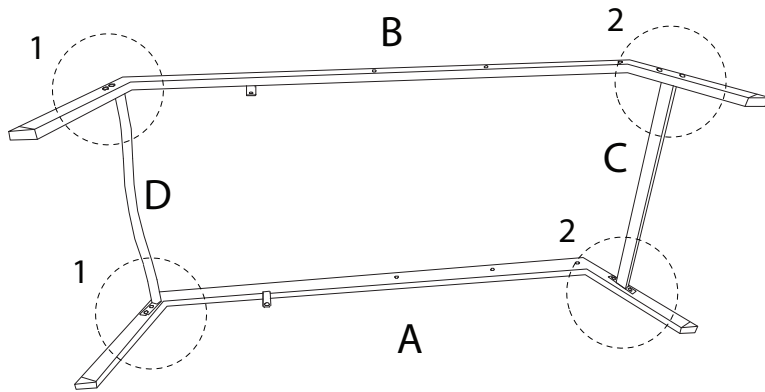
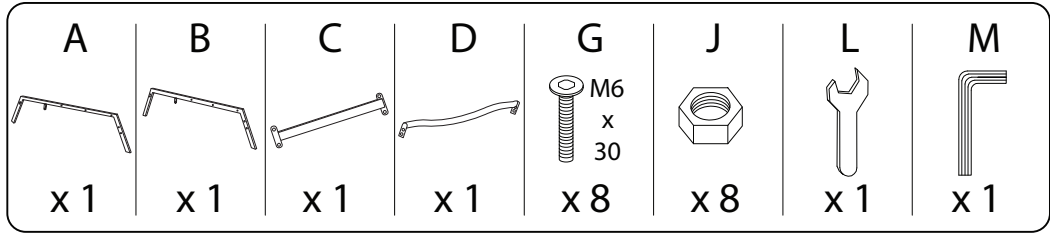
x 1

M

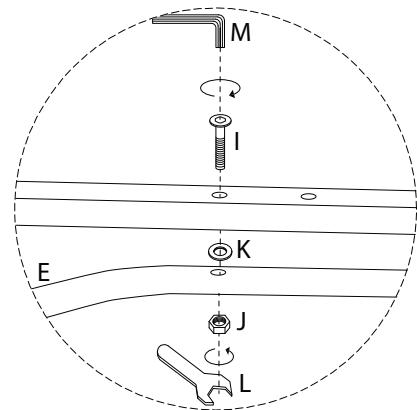
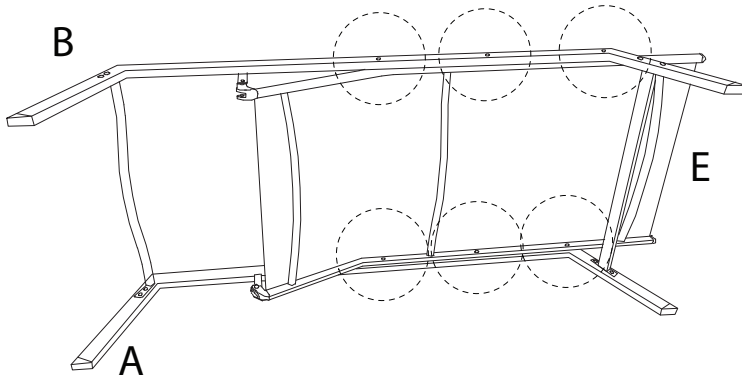
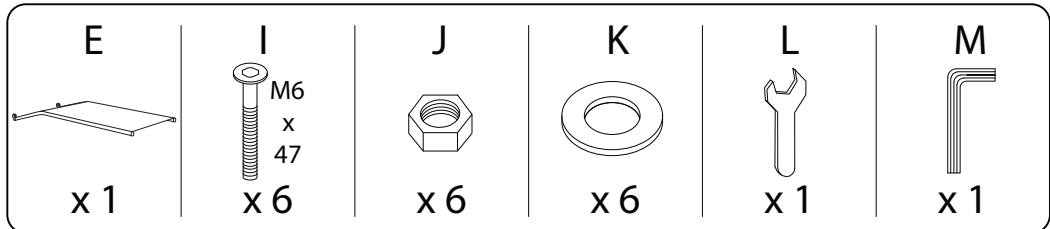


x 1

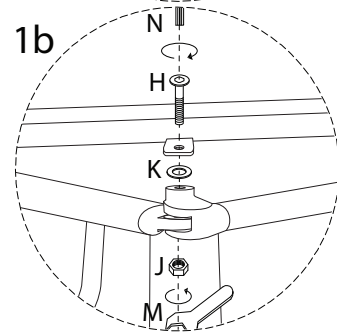
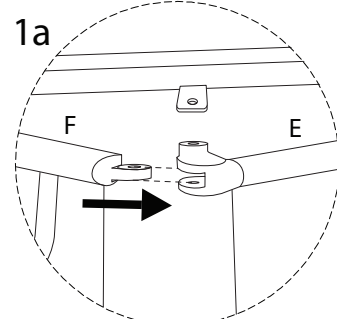
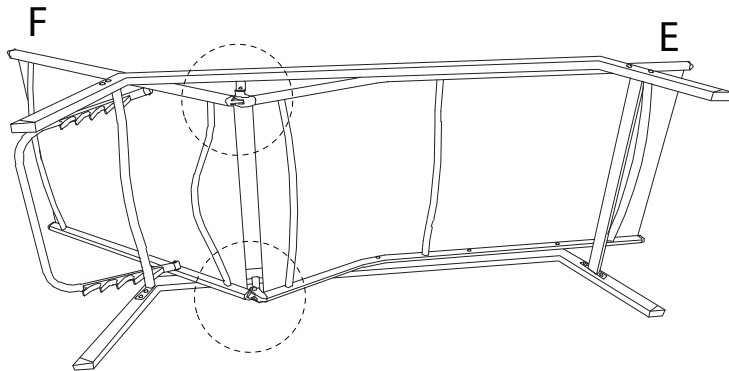
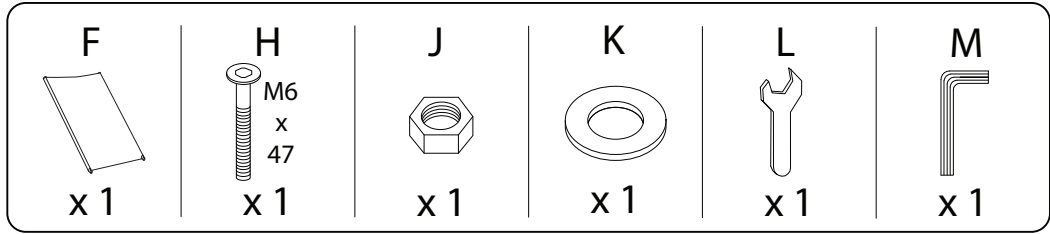
1



2



3



4

