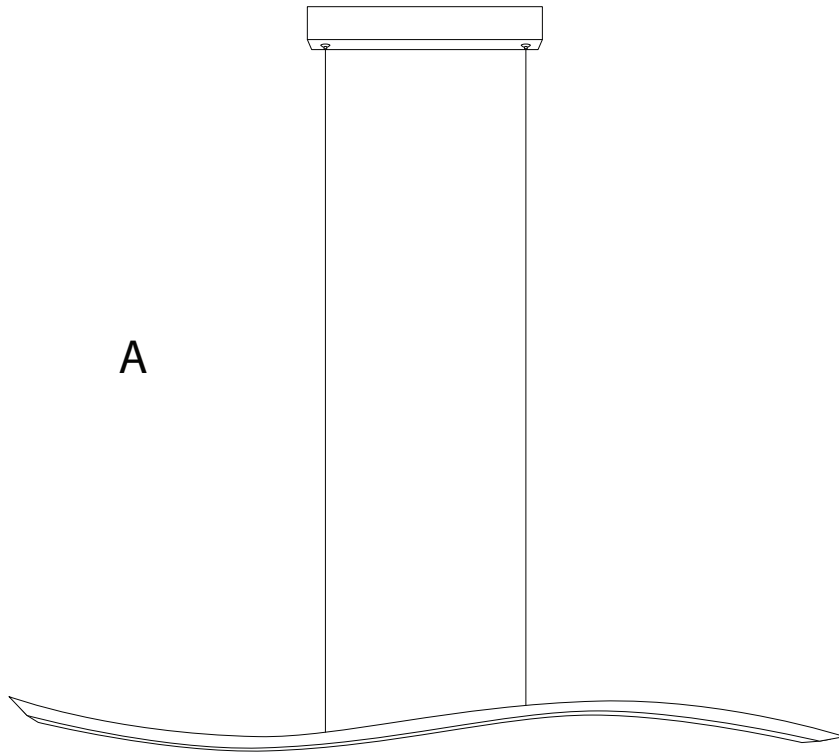
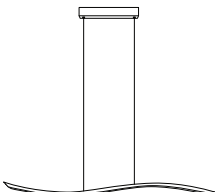
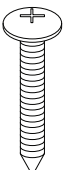
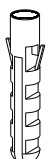
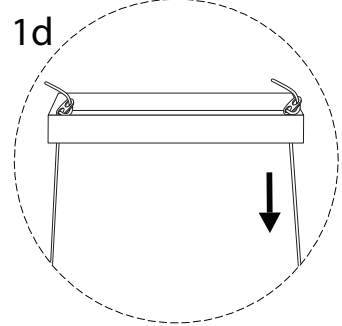
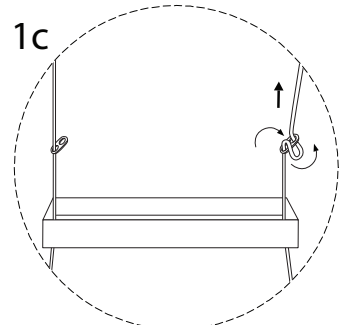
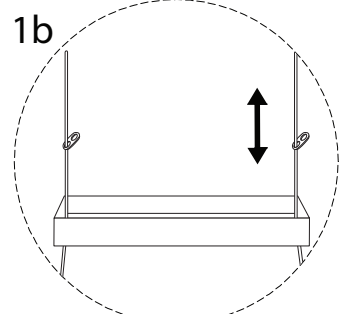
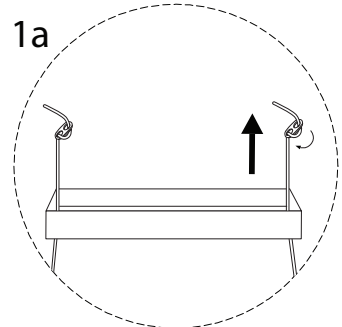
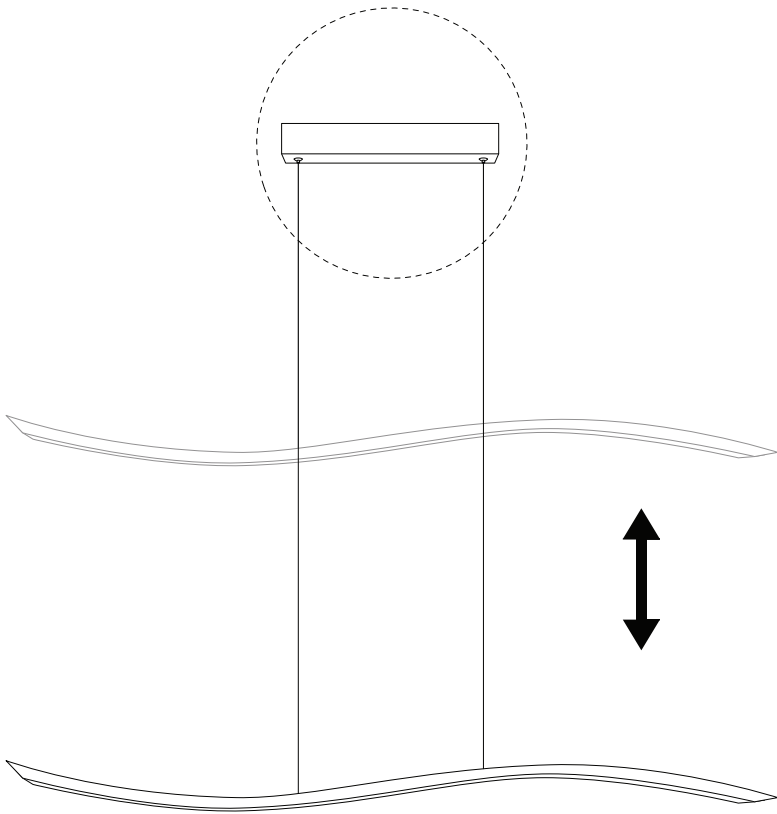


1/5

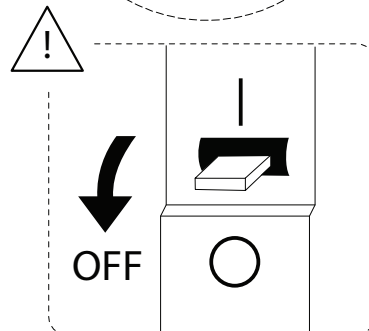
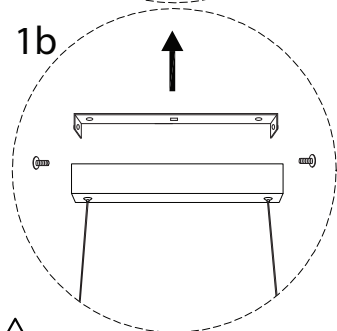
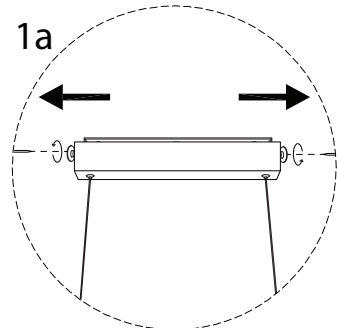
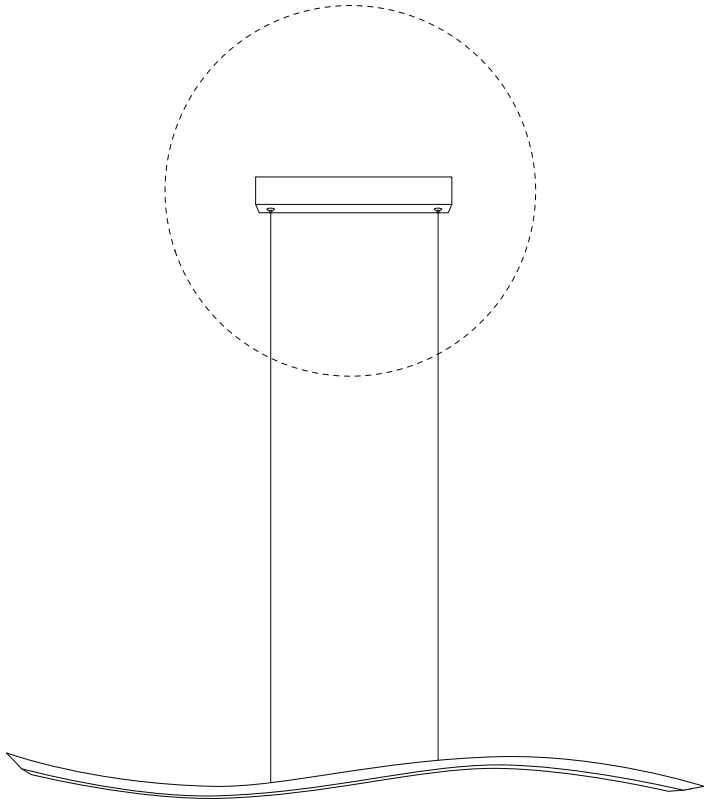
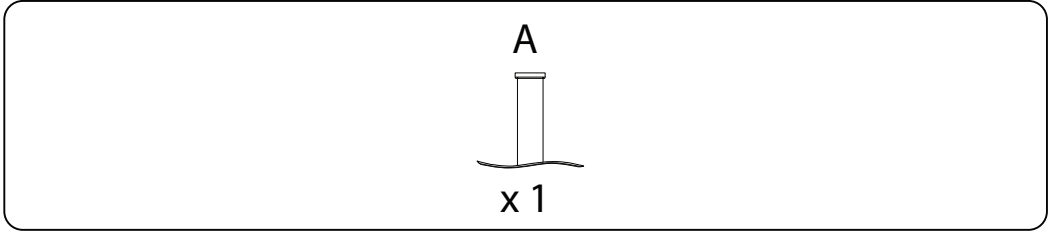


<p>A</p>  <p>x 1</p>	<p>B</p>  <p>x 2</p>	<p>C</p>  <p>x 2</p>
---	---	---

!



1



2

