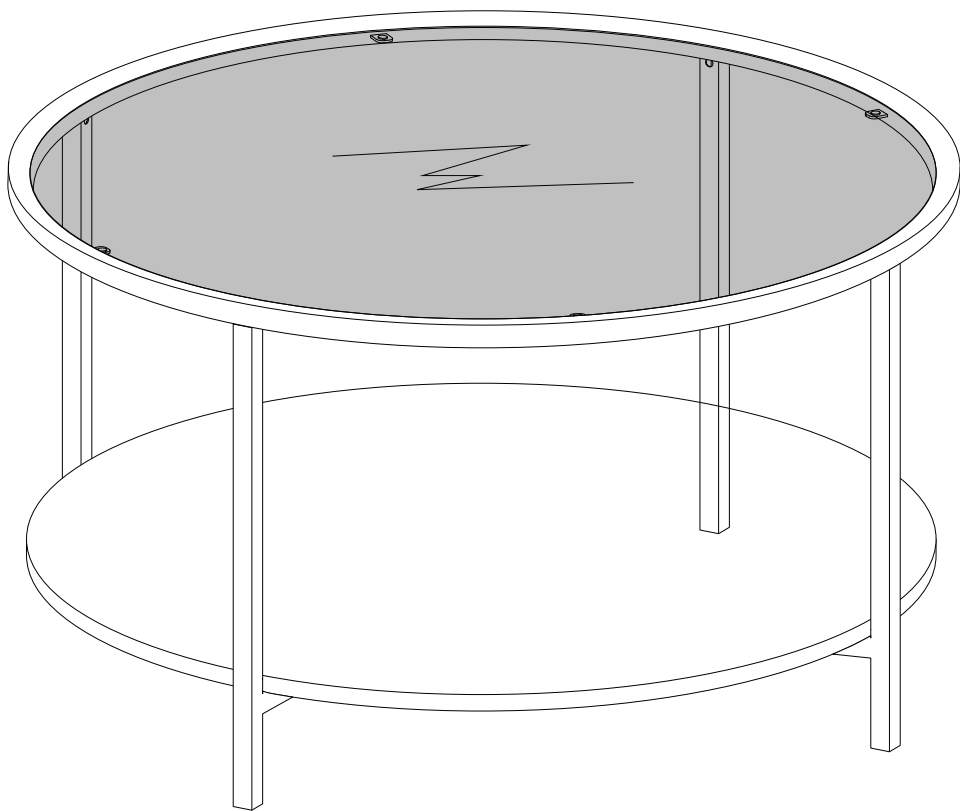
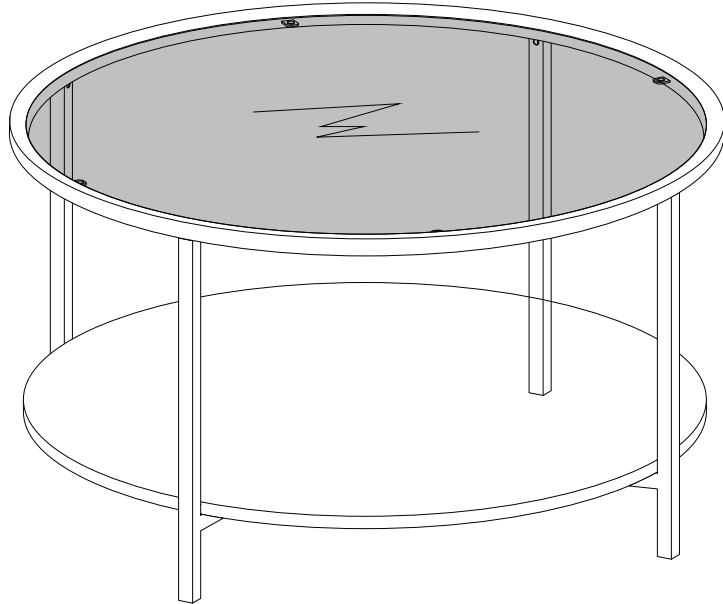


# LIBBY

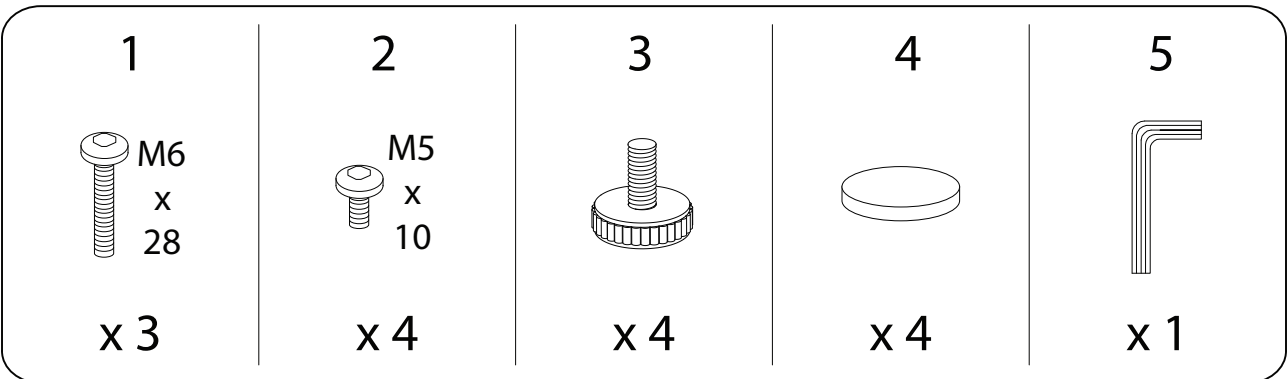
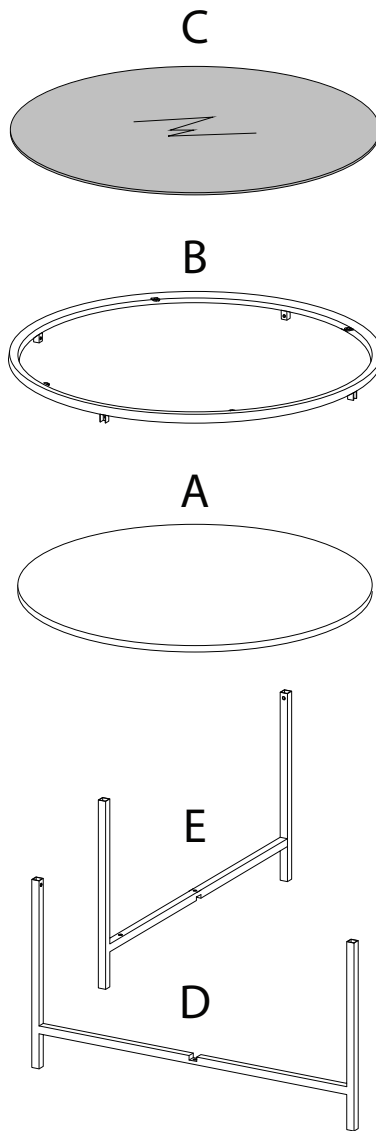
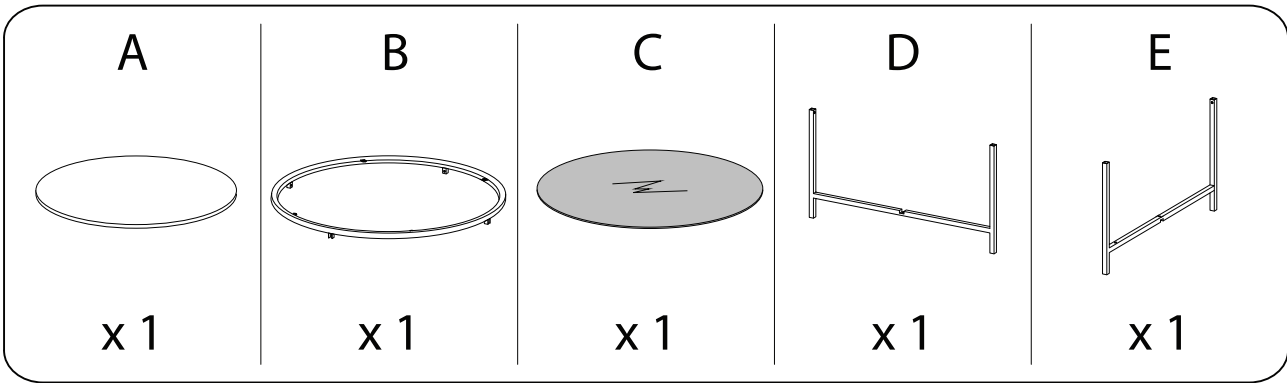




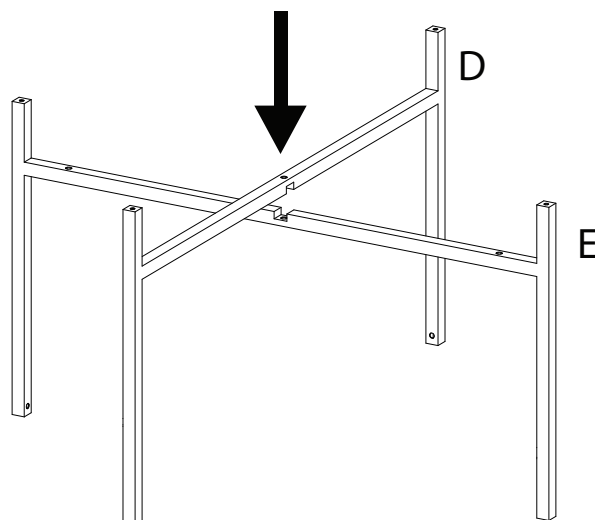
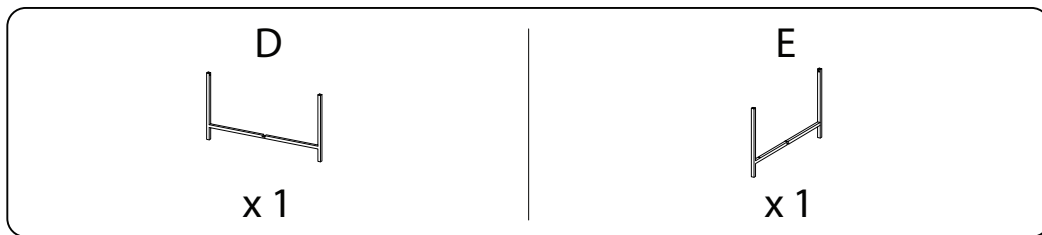
Assembly instructions for the table, including safety warnings, a 30-minute time limit, and a requirement for 2 people.

The instructions are presented in two rows, each with a warning triangle icon:

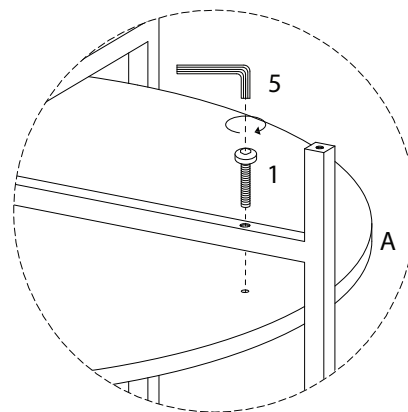
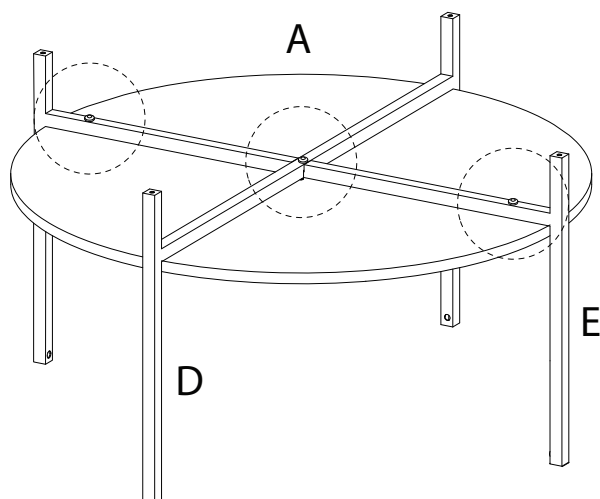
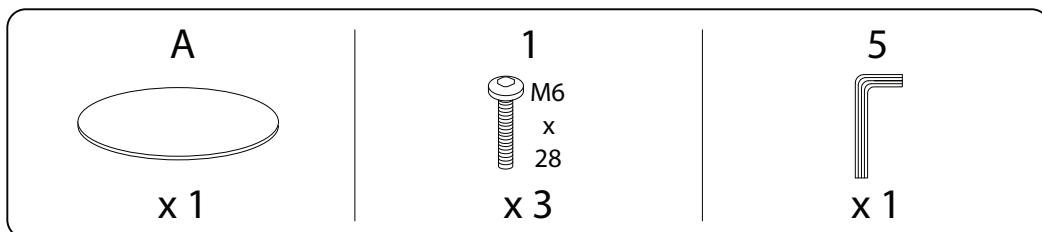
- Top Row:** Shows a circular inset with an L-shaped metal foot and a crossed-out power drill icon. To the right is a clock icon with the text "30'".
- Bottom Row:** Shows a circular inset with a rectangular block being placed on a textured surface and a crossed-out icon of a block being pushed down. To the right is a person icon with the number "2".



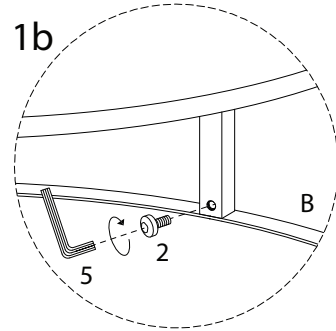
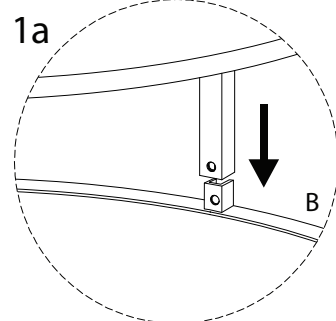
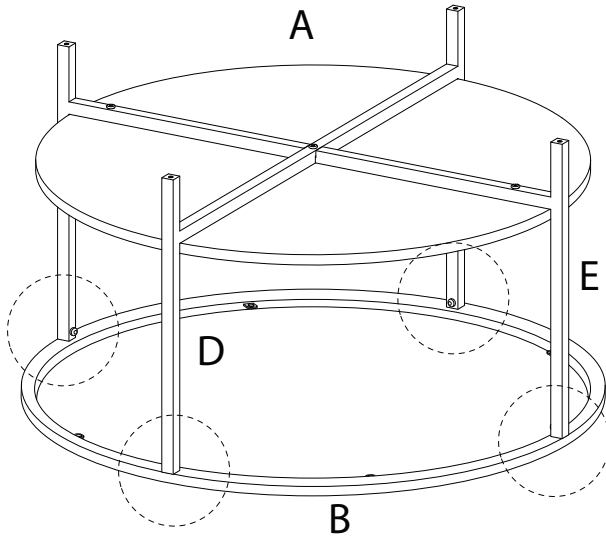
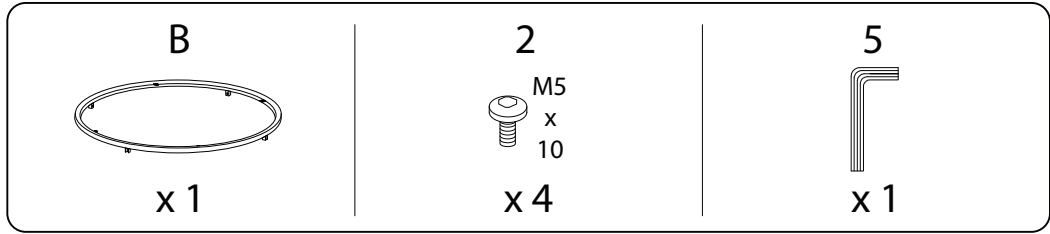
1



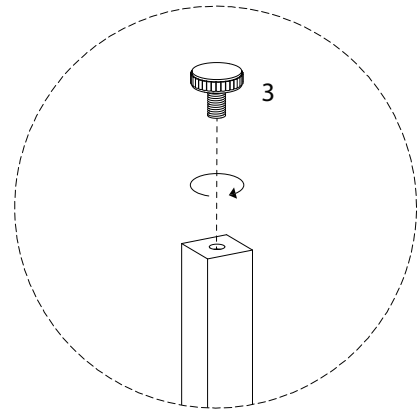
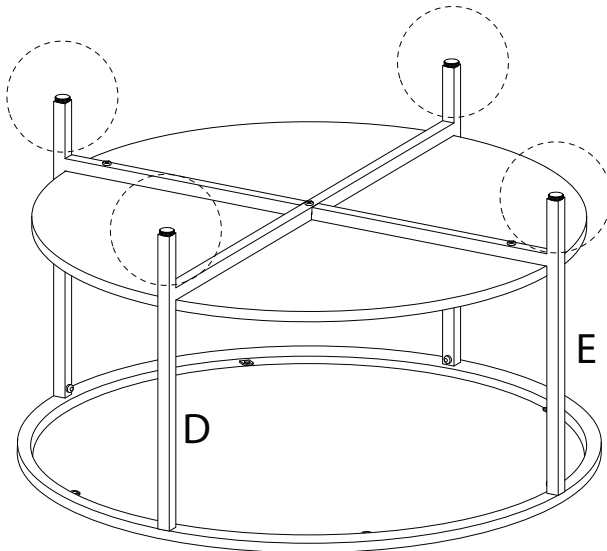
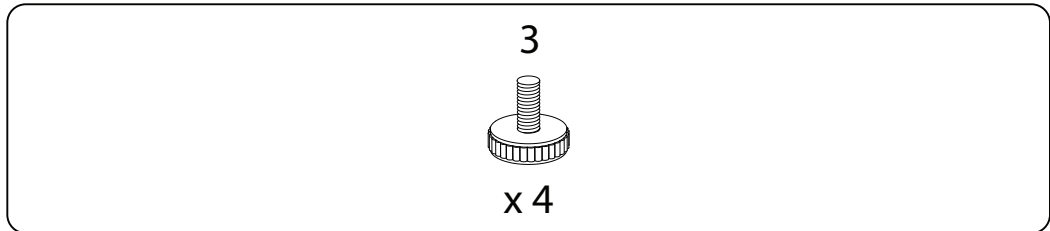
2



3

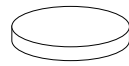


4

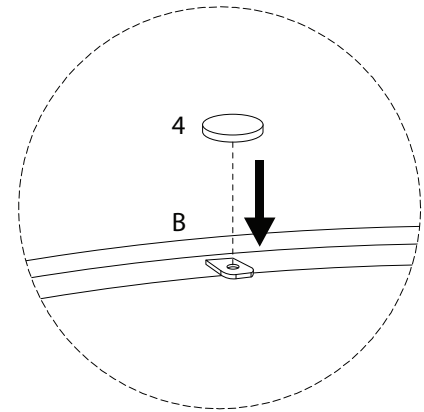
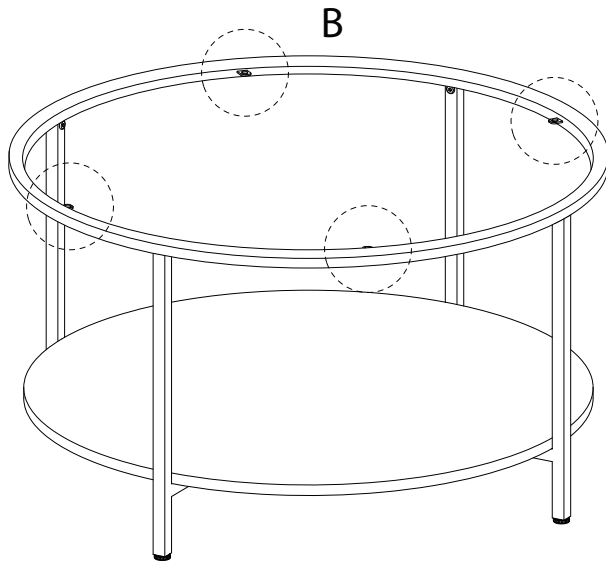


5

4



x 4



6

C



x 1

