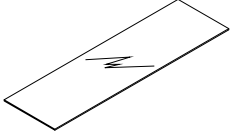
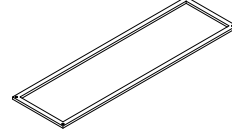
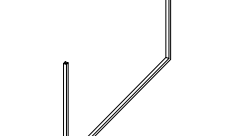
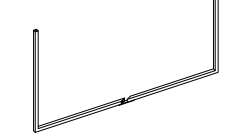

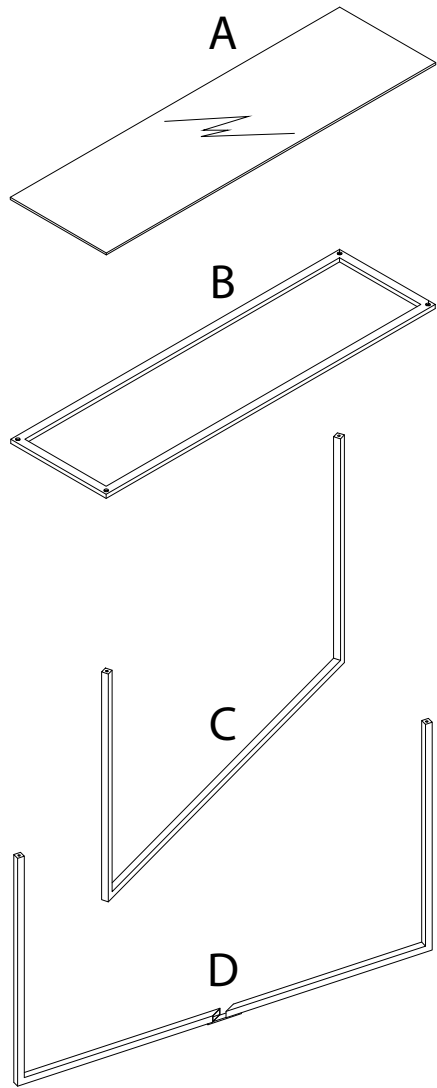
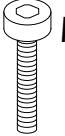

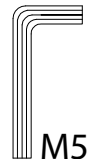

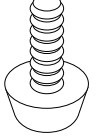


Diagram illustrating assembly steps and safety warnings:

- Step 1:** Shows an L-shaped corner bracket being attached to the table frame. A power drill is shown with a diagonal line through it, indicating that a power drill should not be used for this step. A warning triangle with an exclamation mark is positioned to the right.
- Step 2:** Shows a rectangular panel being attached to the table. A power drill is shown with a diagonal line through it, indicating that a power drill should not be used for this step. A warning triangle with an exclamation mark is positioned to the right.
- Time:** A clock icon is shown next to the text "20'", indicating a 20-minute assembly time.
- Personnel:** A person icon is shown next to the number "2", indicating that two people are required for assembly.

<p style="text-align: center;">A</p>  <p style="text-align: center;">x 1</p>	<p style="text-align: center;">B</p>  <p style="text-align: center;">x 1</p>	<p style="text-align: center;">C</p>  <p style="text-align: center;">x 1</p>	<p style="text-align: center;">D</p>  <p style="text-align: center;">x 1</p>	<p style="text-align: center;">E</p>  <p style="text-align: center;">M6 x 10</p> <p style="text-align: center;">x 1</p>
---	---	---	--	---



<p style="text-align: center;">F</p>  <p style="text-align: center;">M6 x 30</p> <p style="text-align: center;">x 4</p>	<p style="text-align: center;">G</p>  <p style="text-align: center;">x 6</p>	<p style="text-align: center;">H</p>  <p style="text-align: center;">M5</p> <p style="text-align: center;">x 1</p>	<p style="text-align: center;">I</p>  <p style="text-align: center;">M4</p> <p style="text-align: center;">x 1</p>	<p style="text-align: center;">J</p>  <p style="text-align: center;">x 4</p>
---	---	--	--	---

1

C



x 1

D



x 1

E

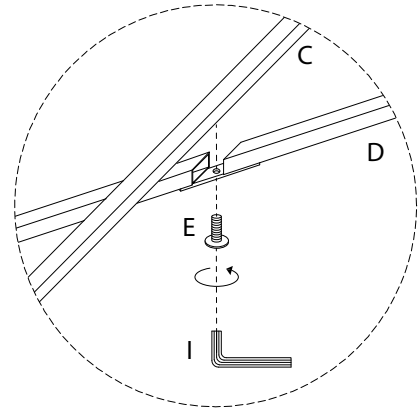
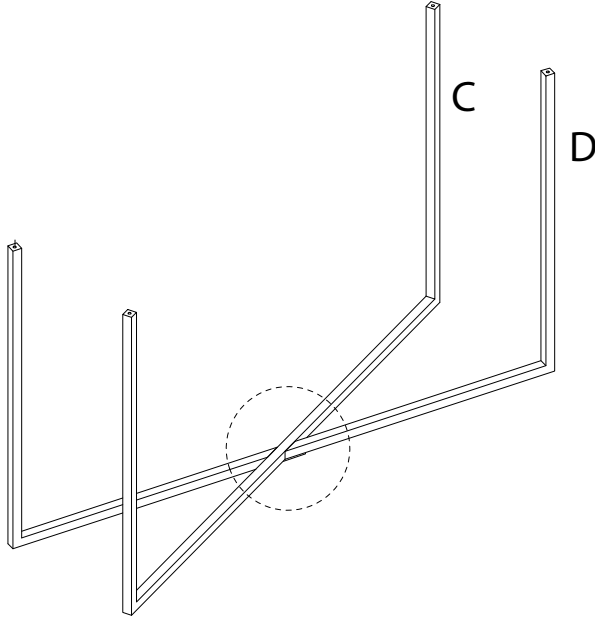


x 1

I



x 1

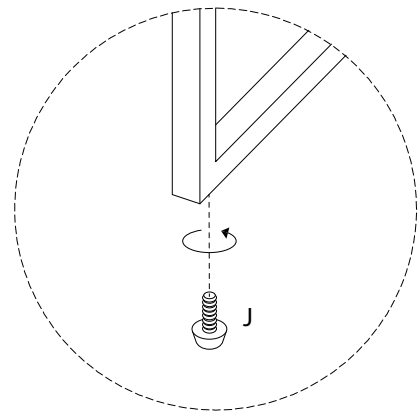
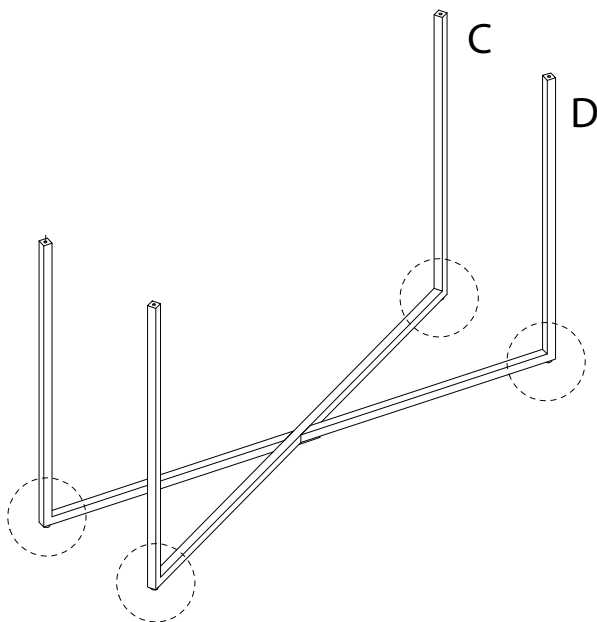


2

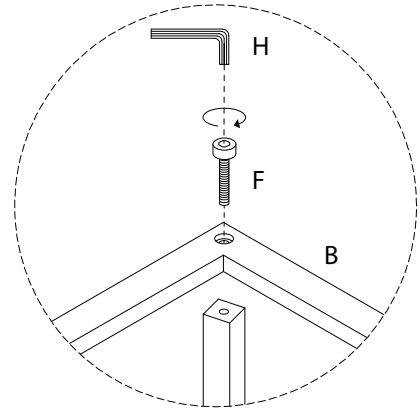
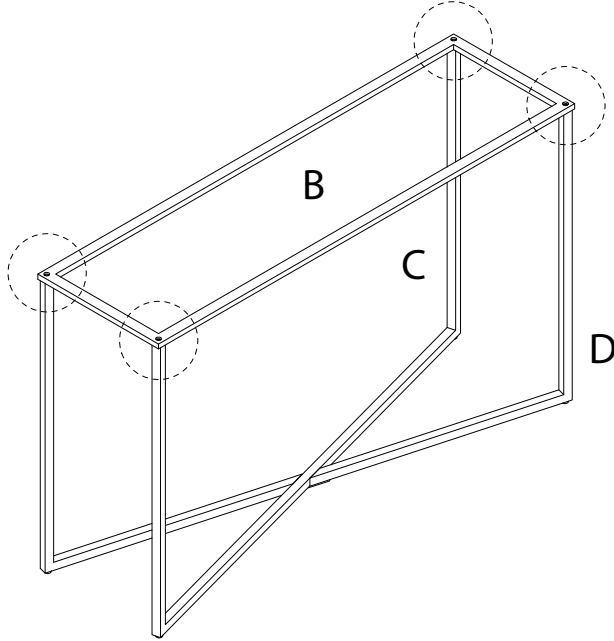
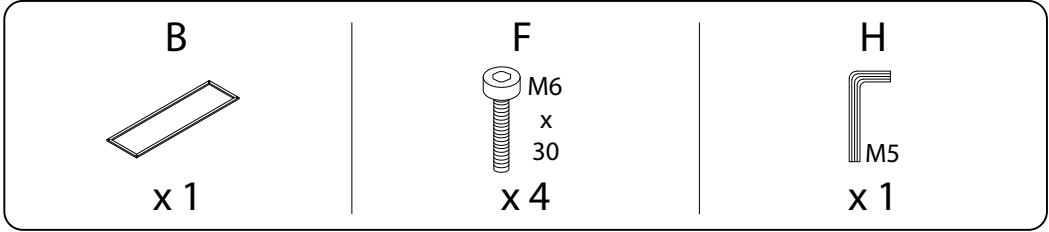
J



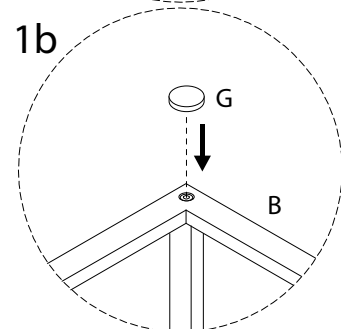
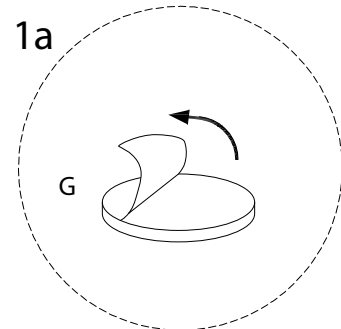
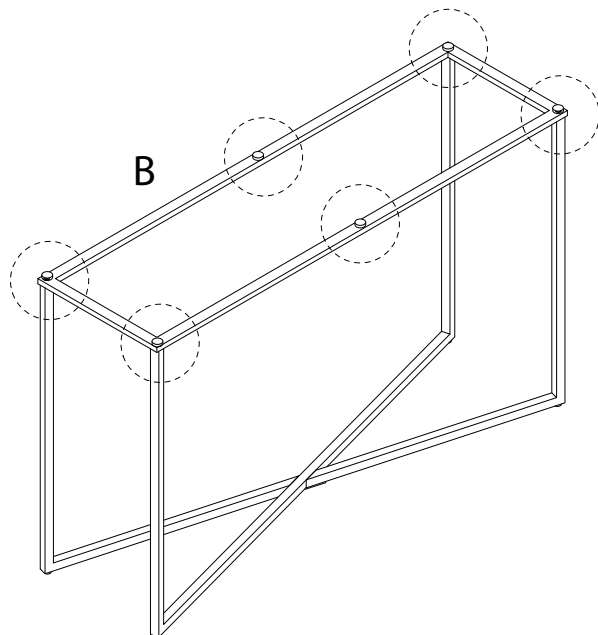
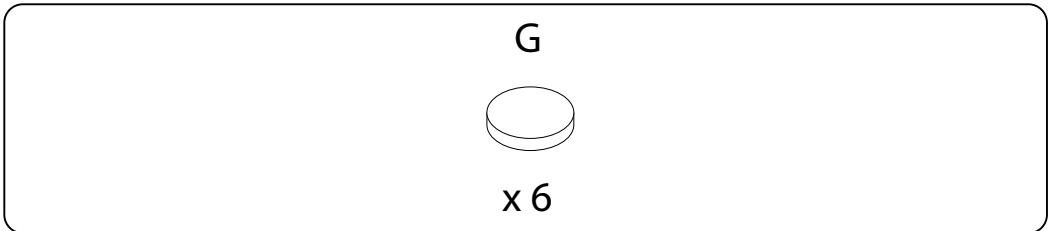
x 4



3



4



5

