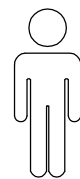
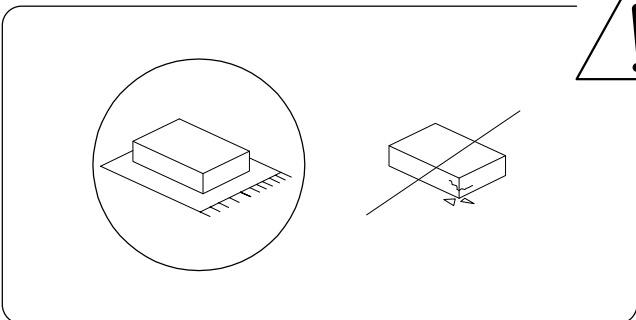
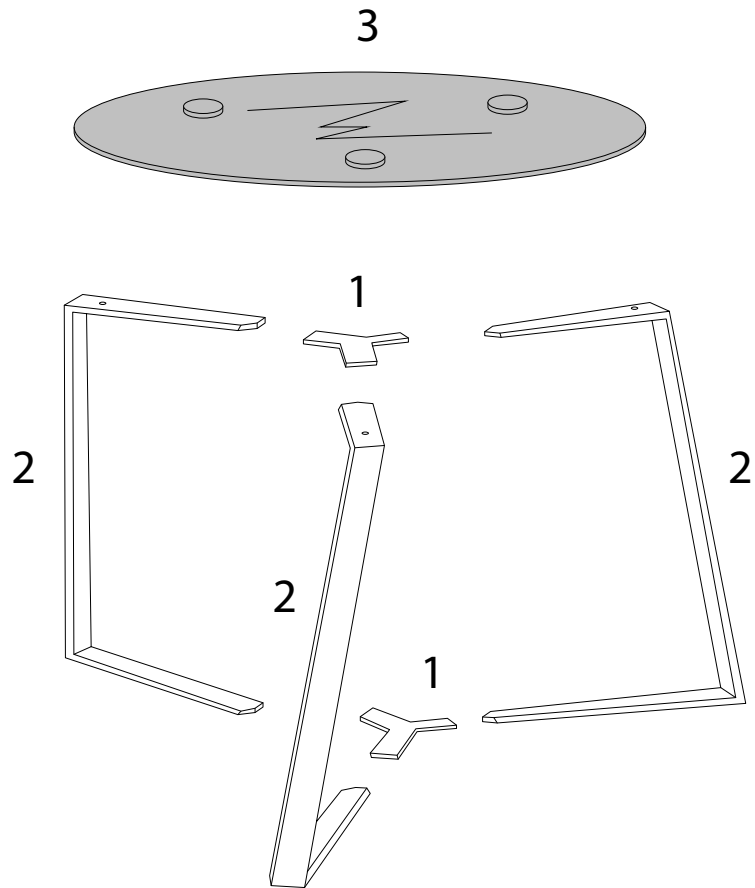



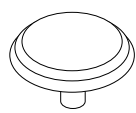


60'

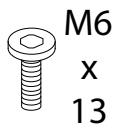


2



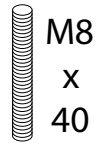
<p>1</p>  <p>x 2</p>	<p>2</p>  <p>x 3</p>	<p>3</p>  <p>x 1</p>	<p>4</p>  <p>x 3</p>
---	---	--	---

A



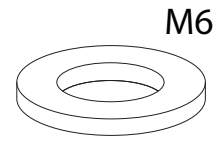
x 12

B



x 3

C



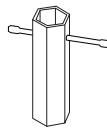
x 12

D



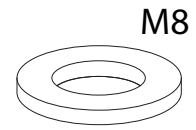
x 1

E



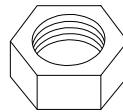
x 1

F



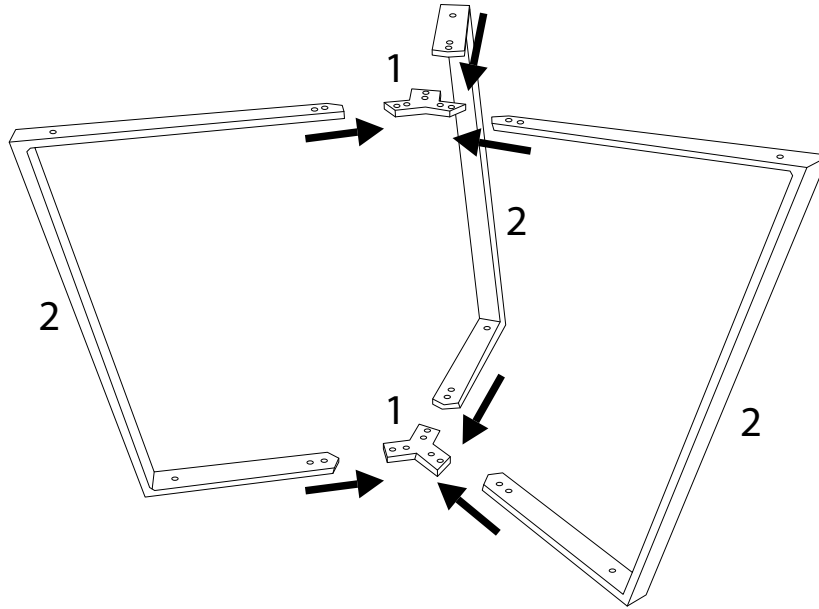
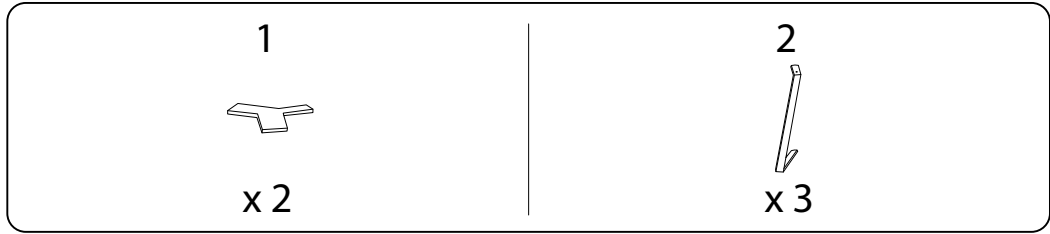
x 3

G

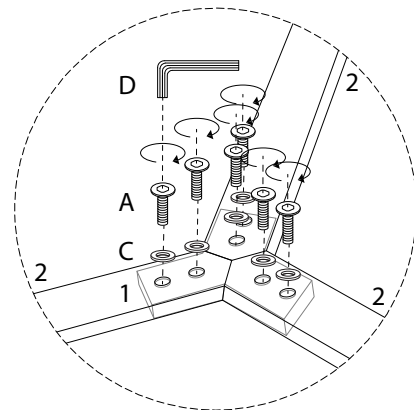
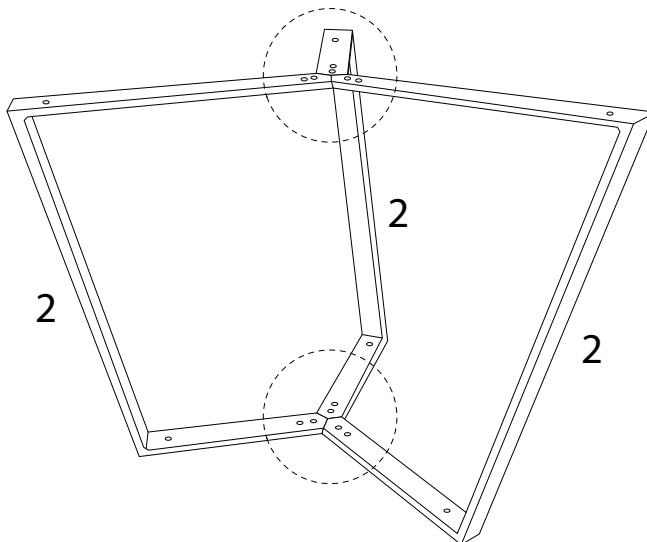
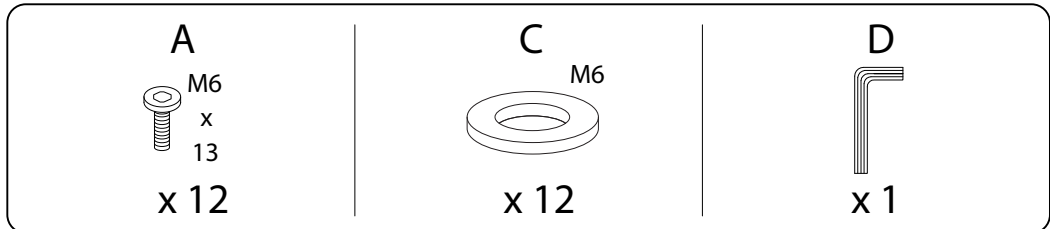


x 3

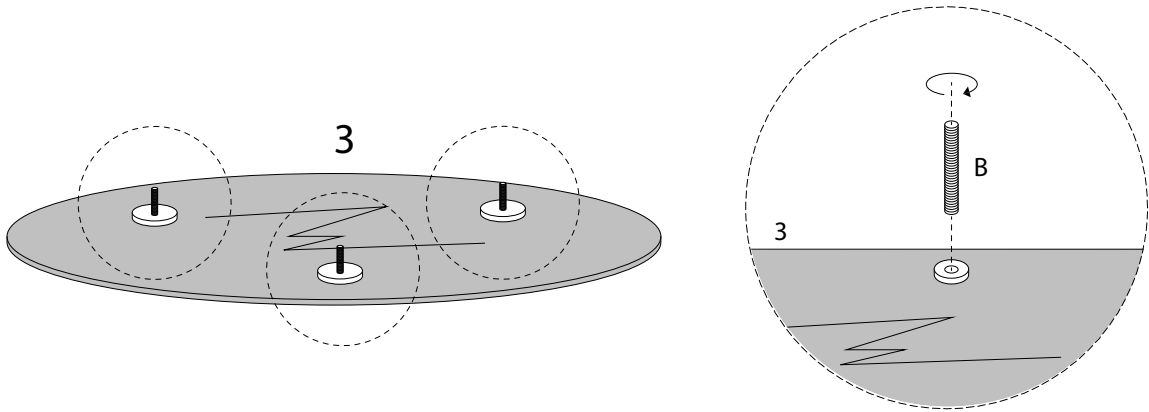
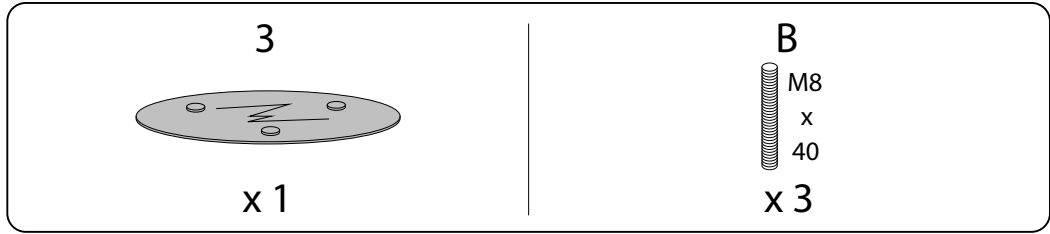
1



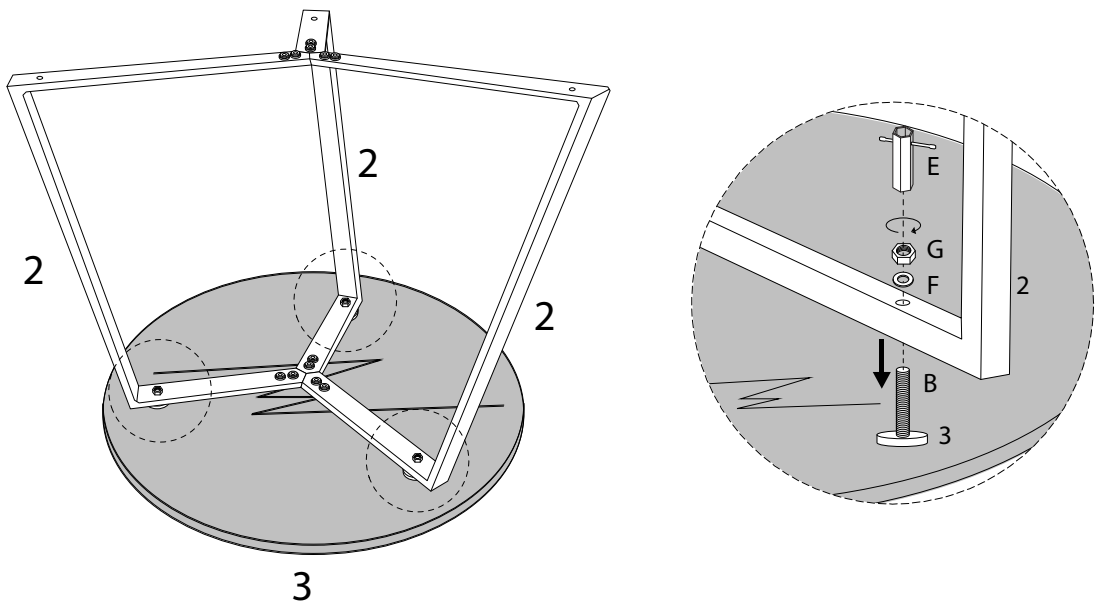
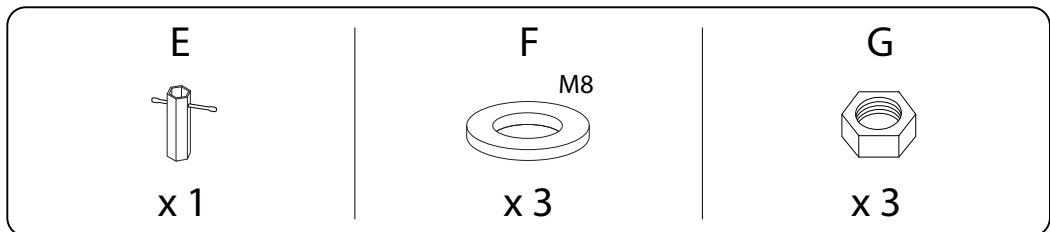
2



3



4

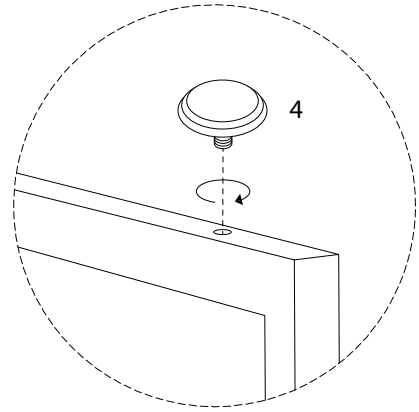
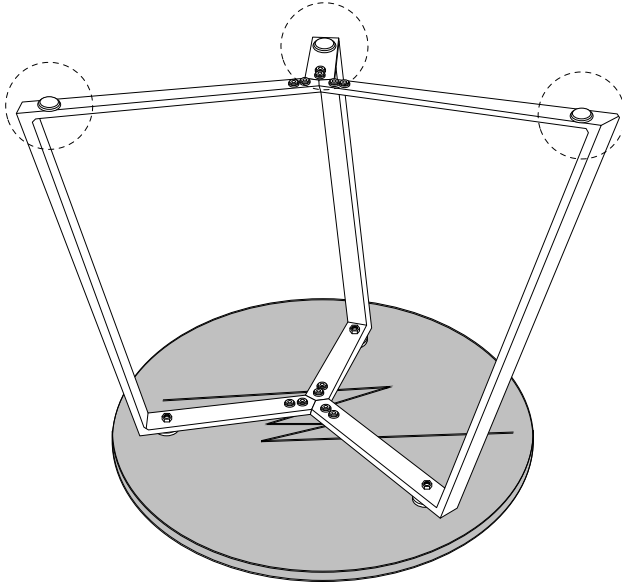


5

4



x 3



!

