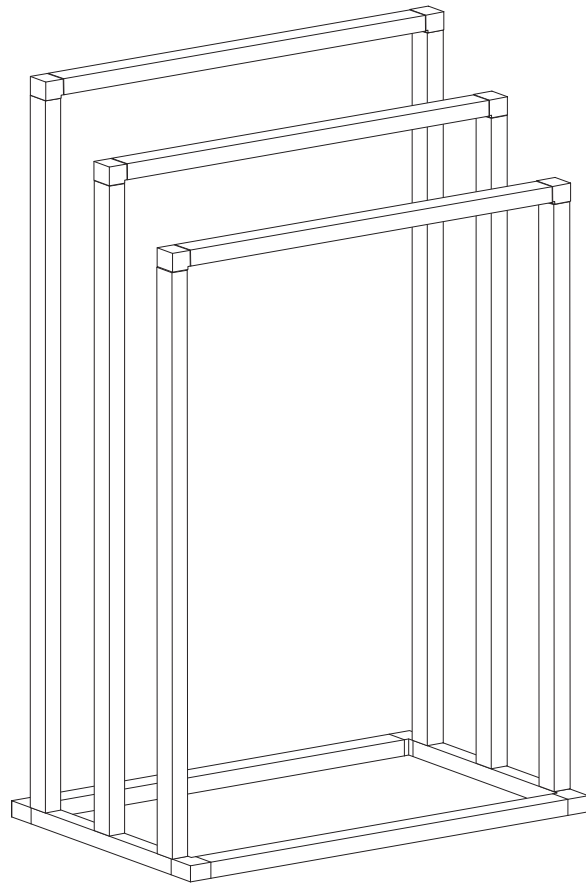
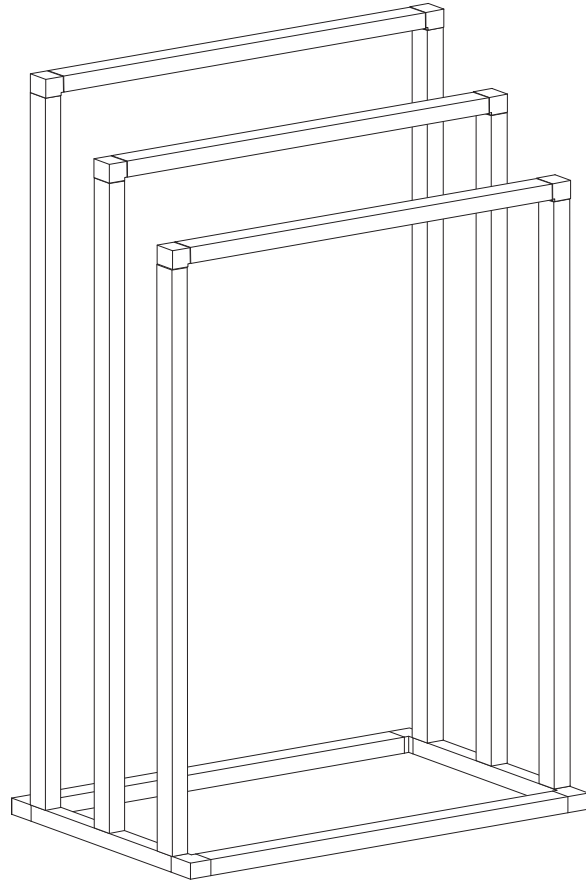
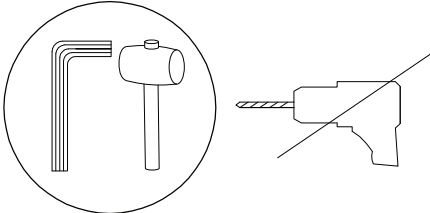

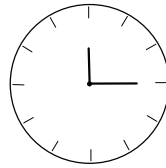
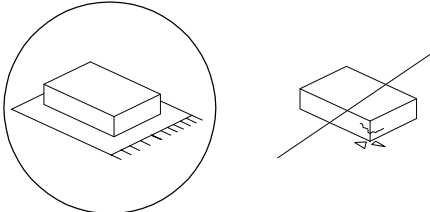


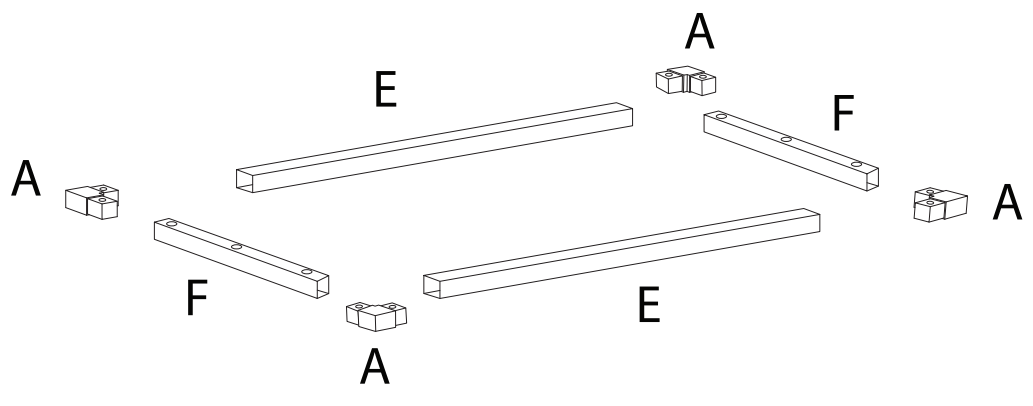
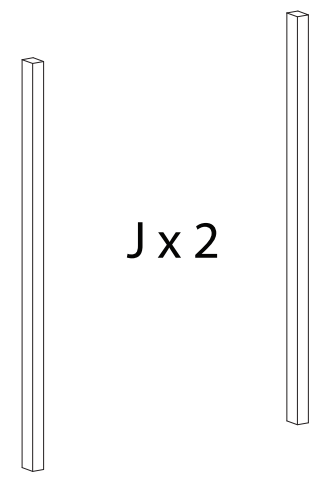
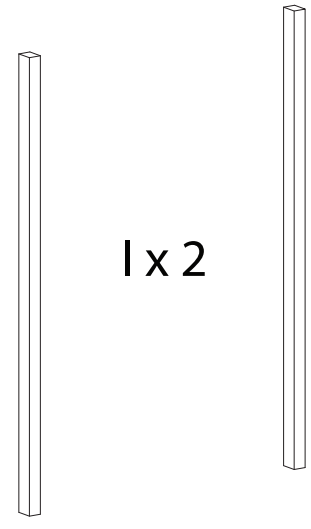
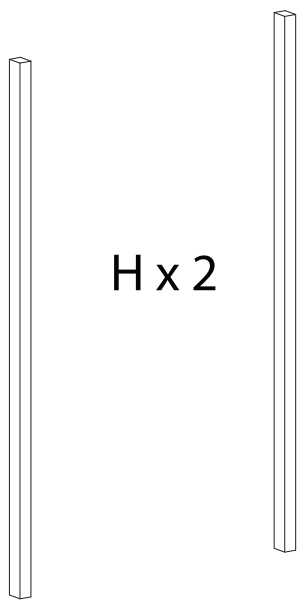
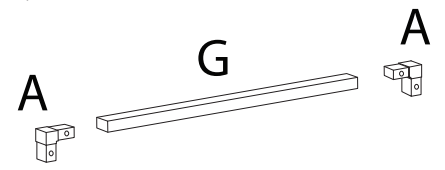
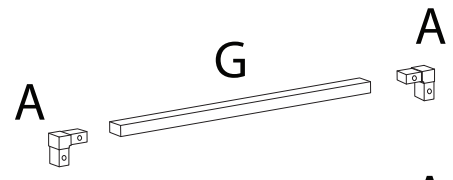
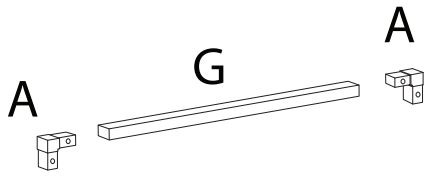


CHARRAS

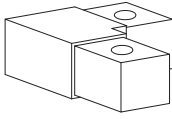




		
		15'
		
		1

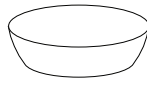


A



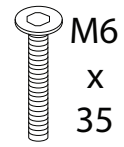
x 10

B



x 4

C



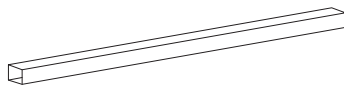
x 6

D



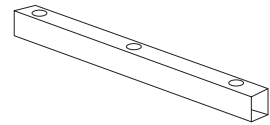
x 1

E



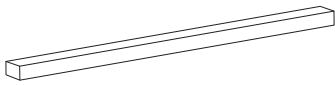
x 2

F



x 2

G



x 3

H



x 2

I



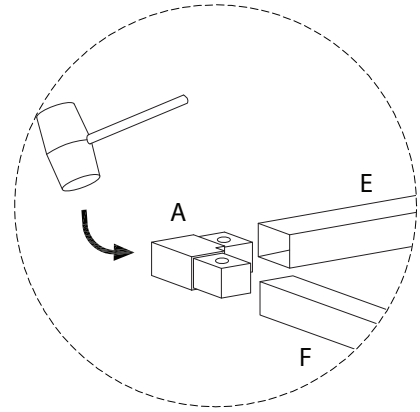
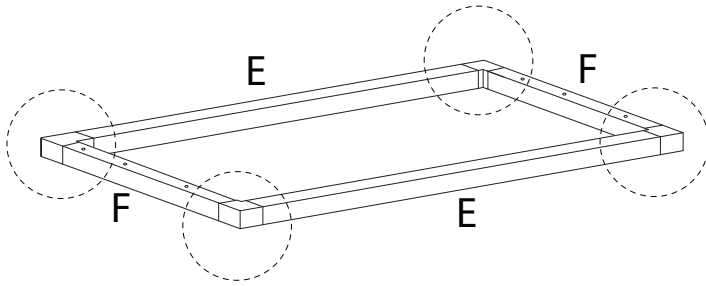
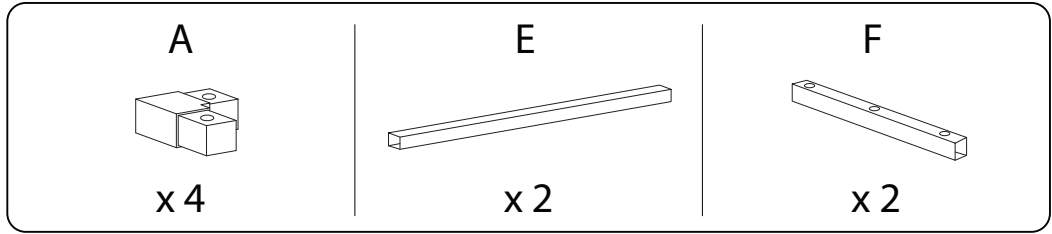
x 2

J

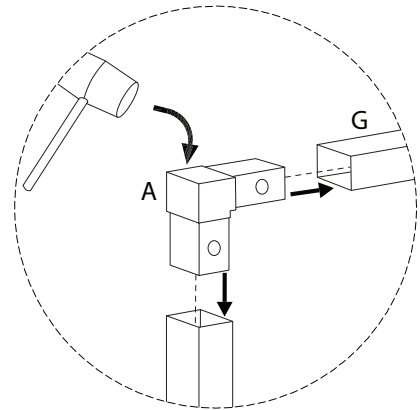
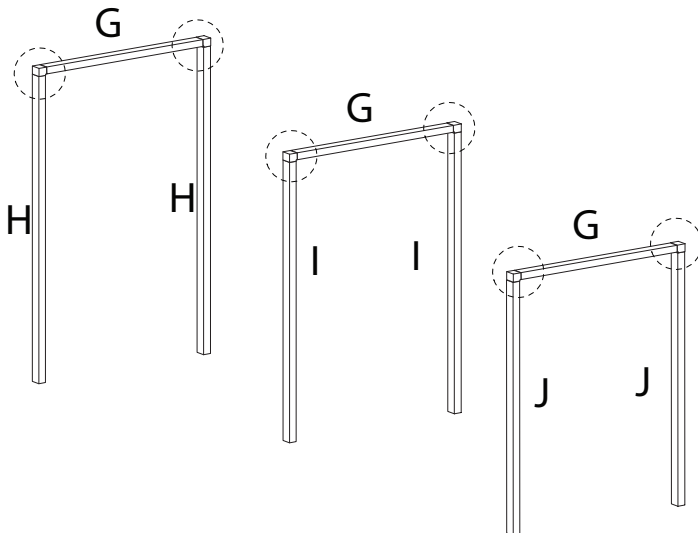
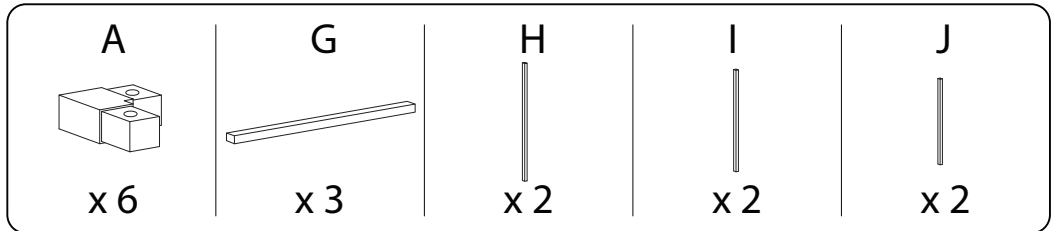


x 2

1



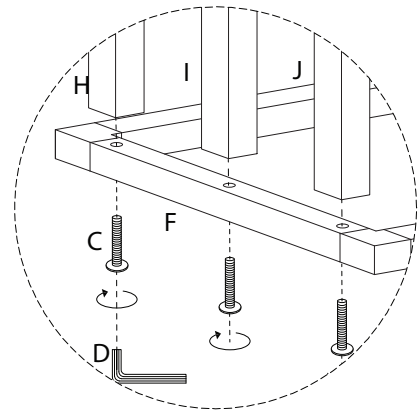
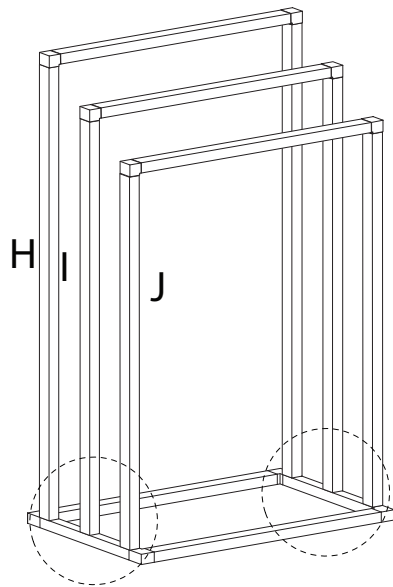
2



3

C
M6
x
34
x 6

D
x 1



4

B



x 4

