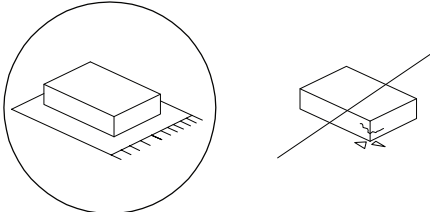


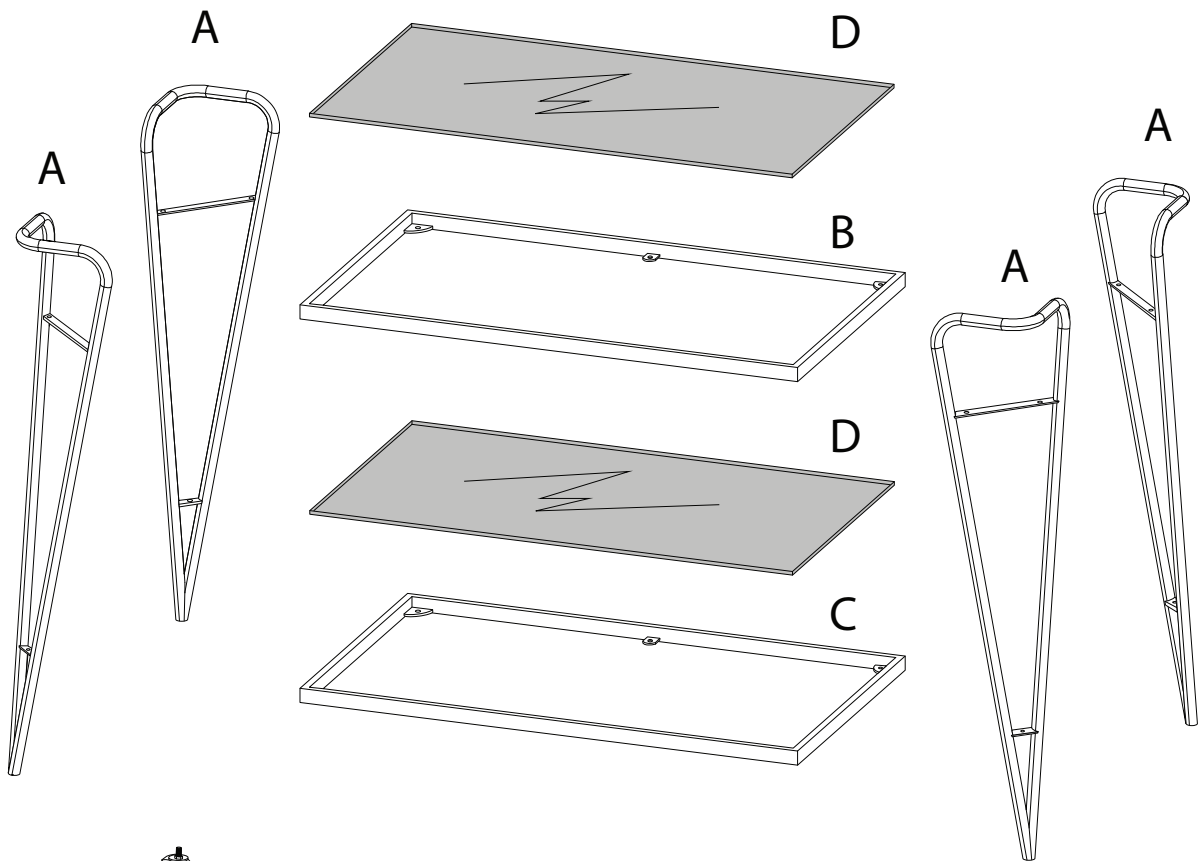




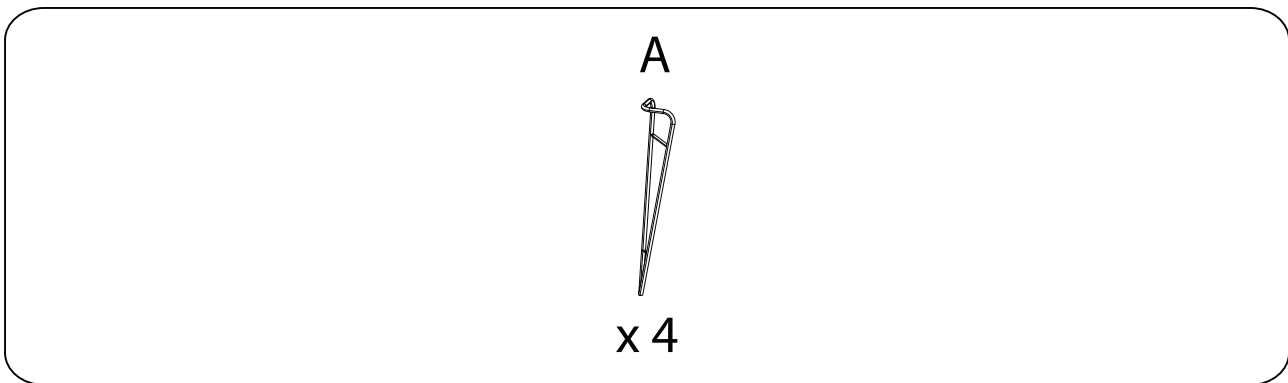

		40'
		
		2

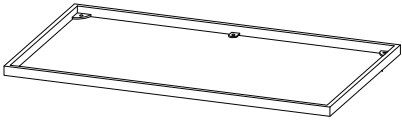



F x 2



E x 2


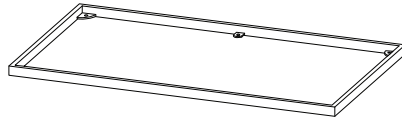


B



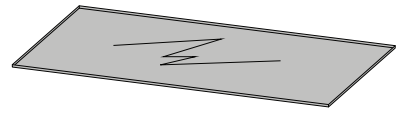
x 1

C



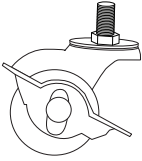
x 1

D



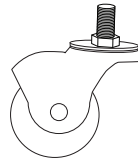
x 2

E



x 2

F



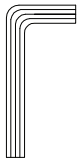
x 2

G



x 1

H



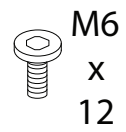
x 1

I



x 12

J



M6
x
12

x 12

1

A



x 4

B



x 1

H

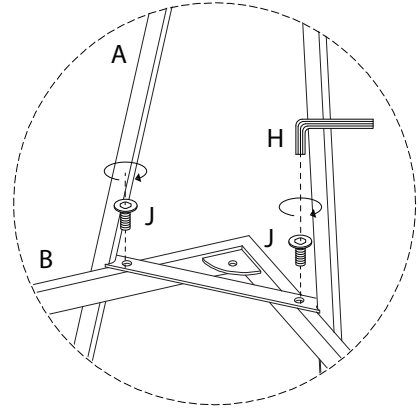
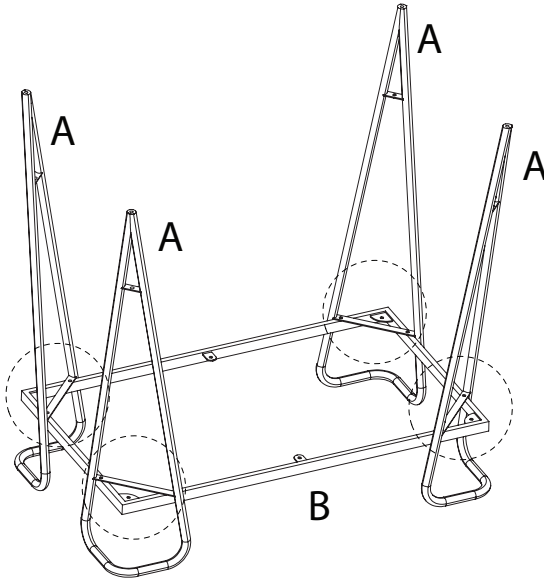


x 1

J

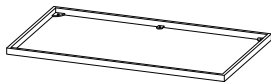


x 8



2

C



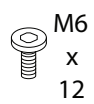
x 1

H

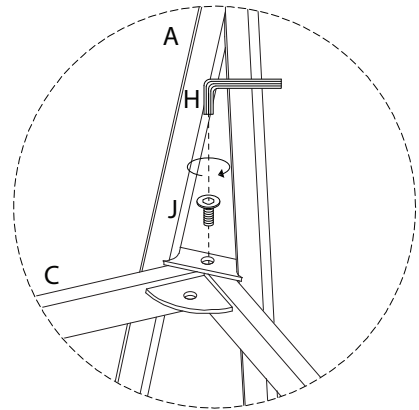
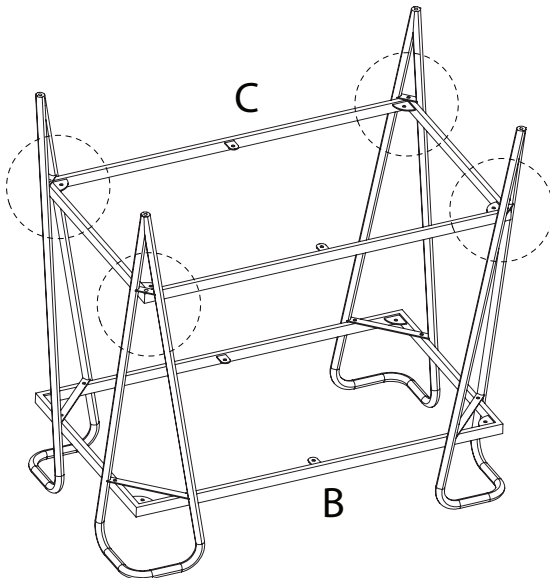


x 1

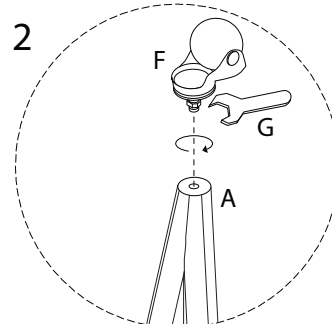
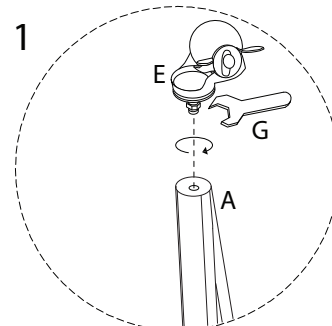
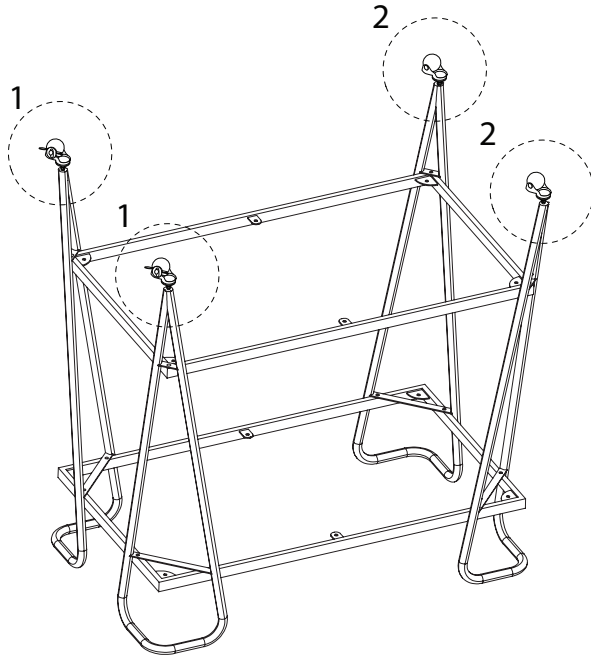
J



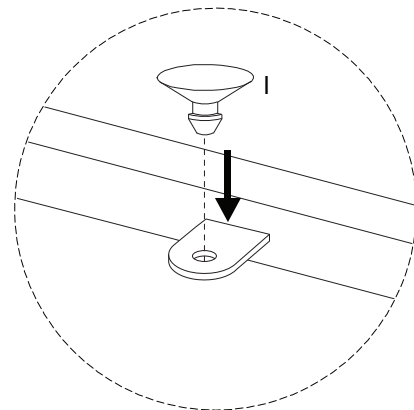
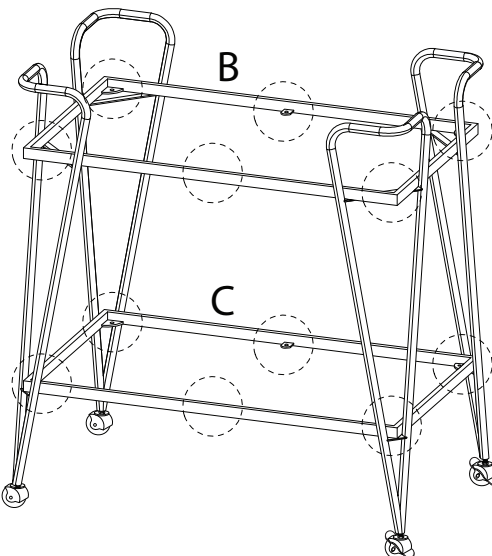
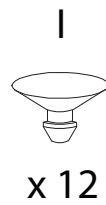
x 4



3



4



5

