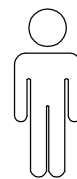
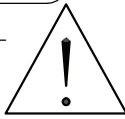
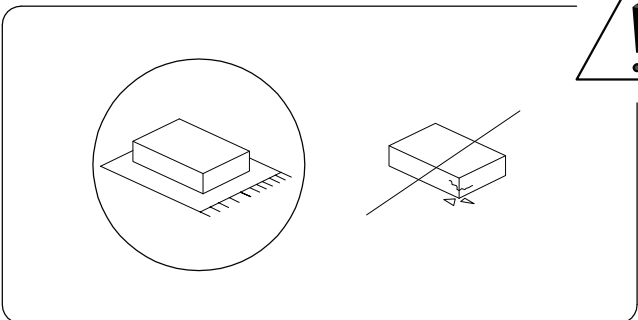
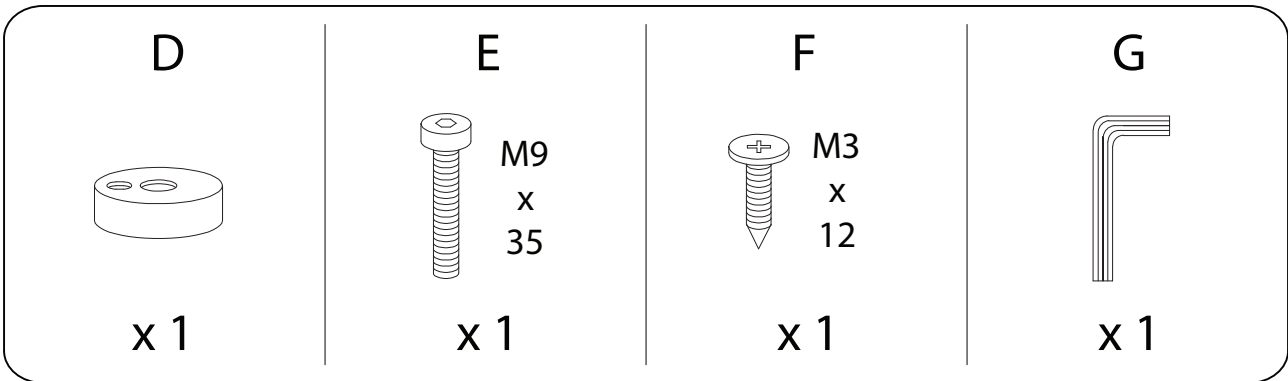
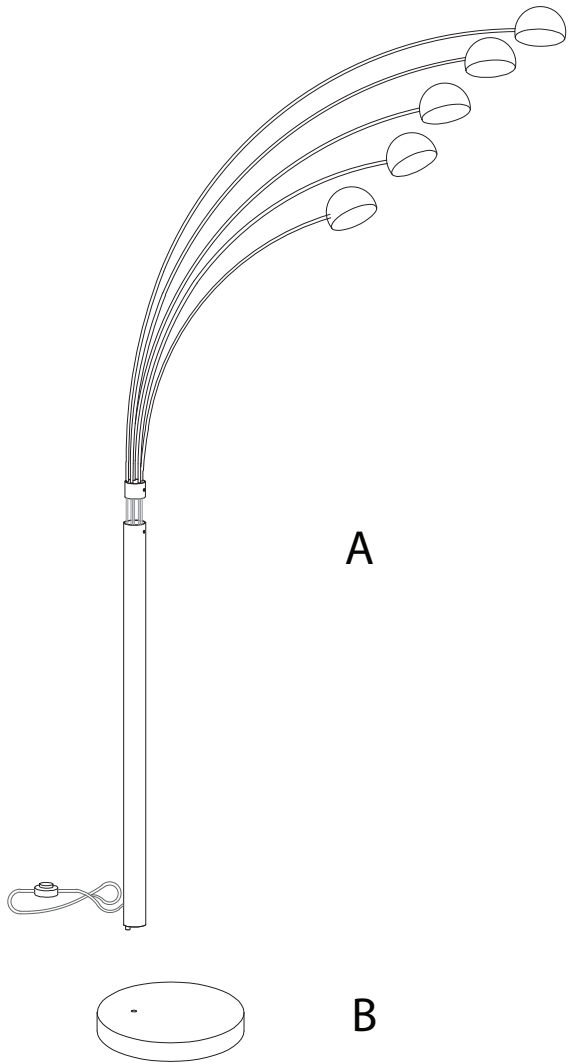
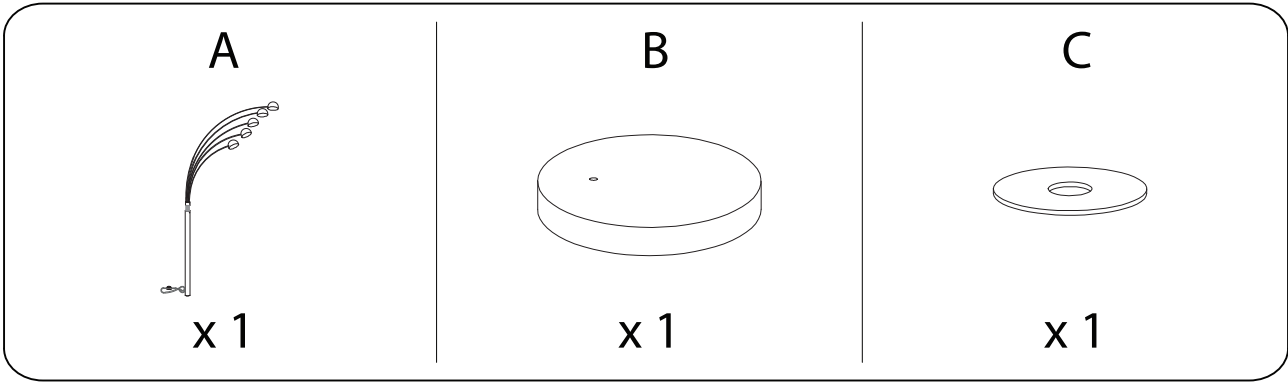


10'



1

1/4



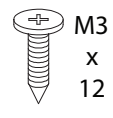
1

A

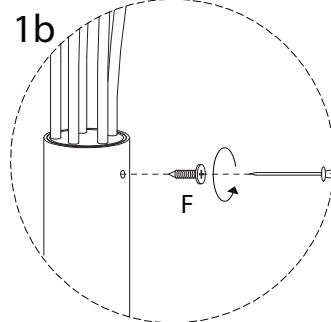
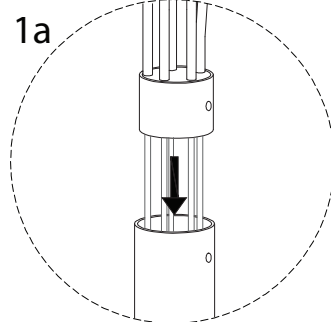
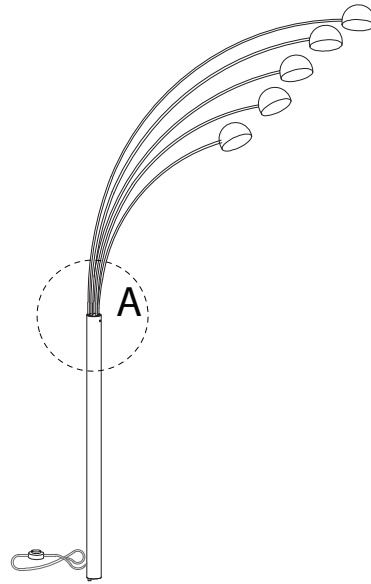


x 1

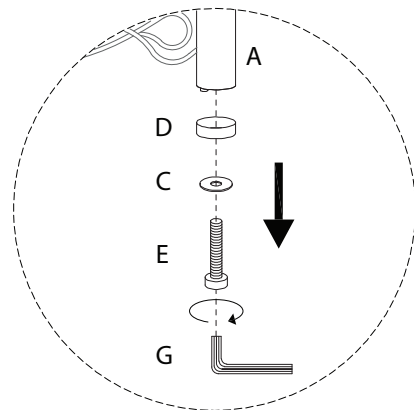
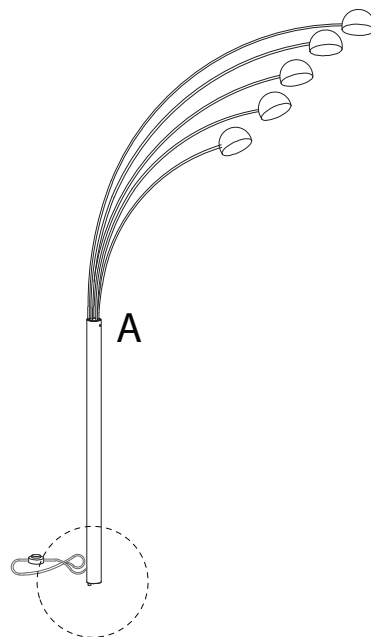
F



x 1



!



2

