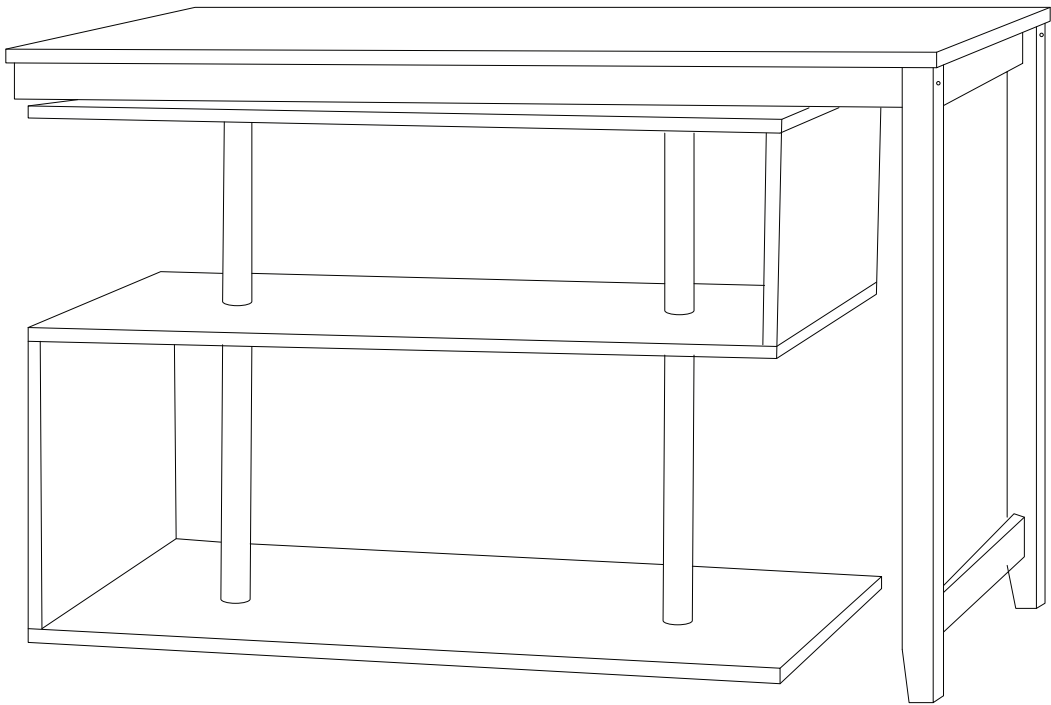
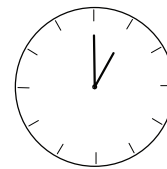
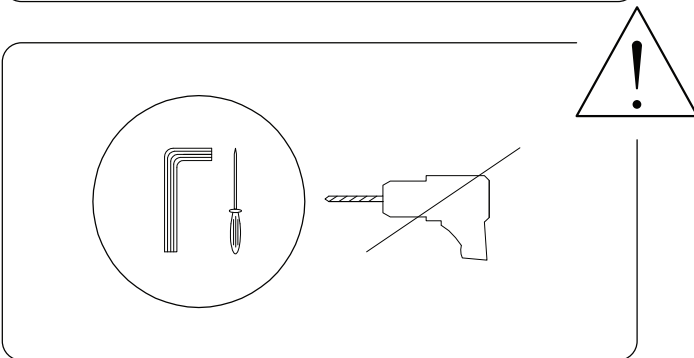
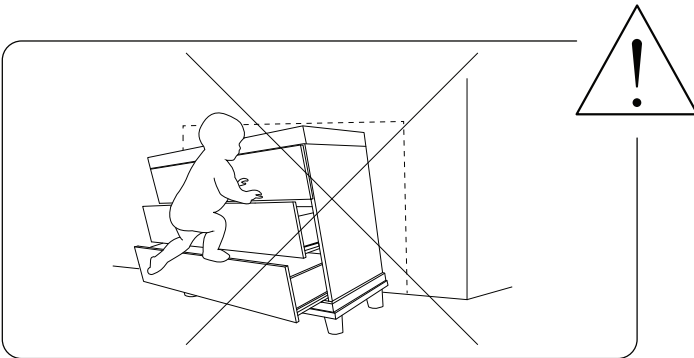
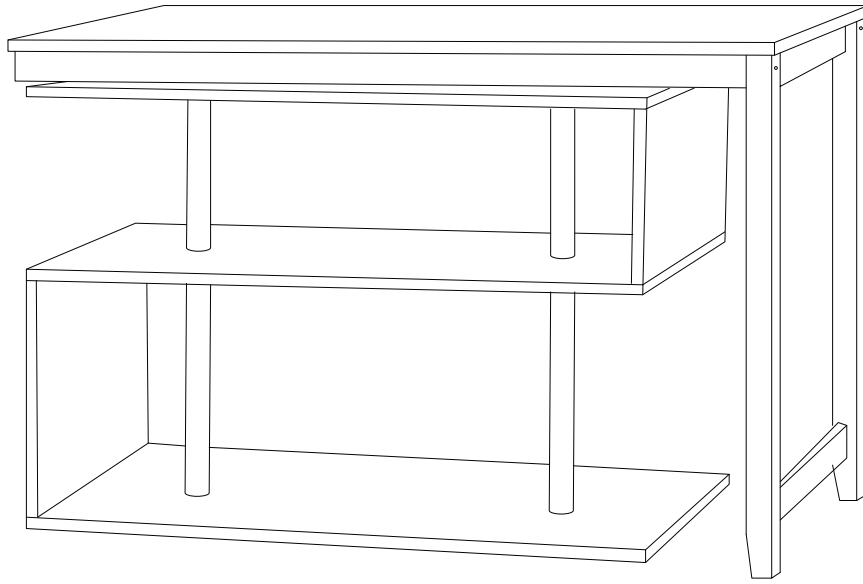
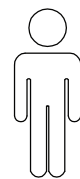
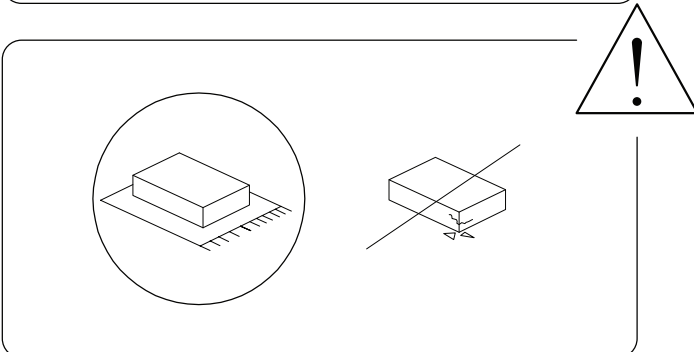


CHANDLER

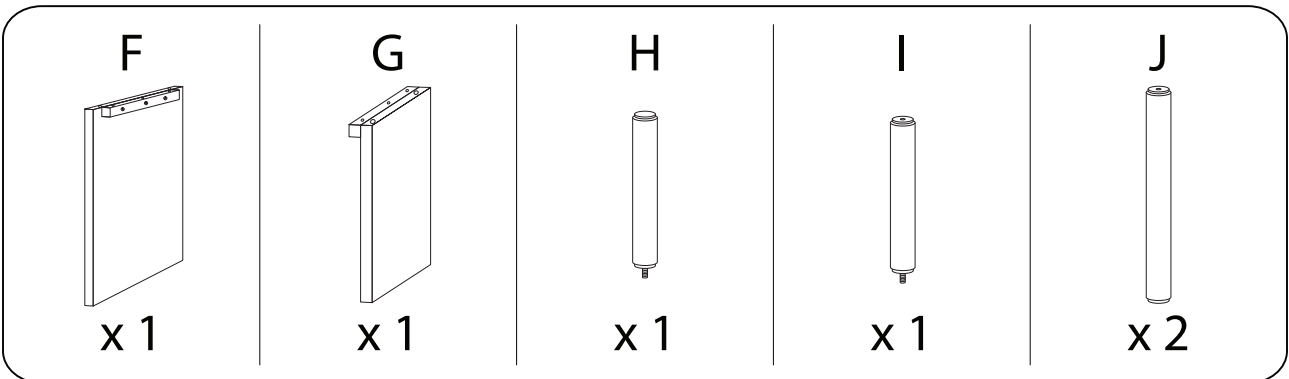
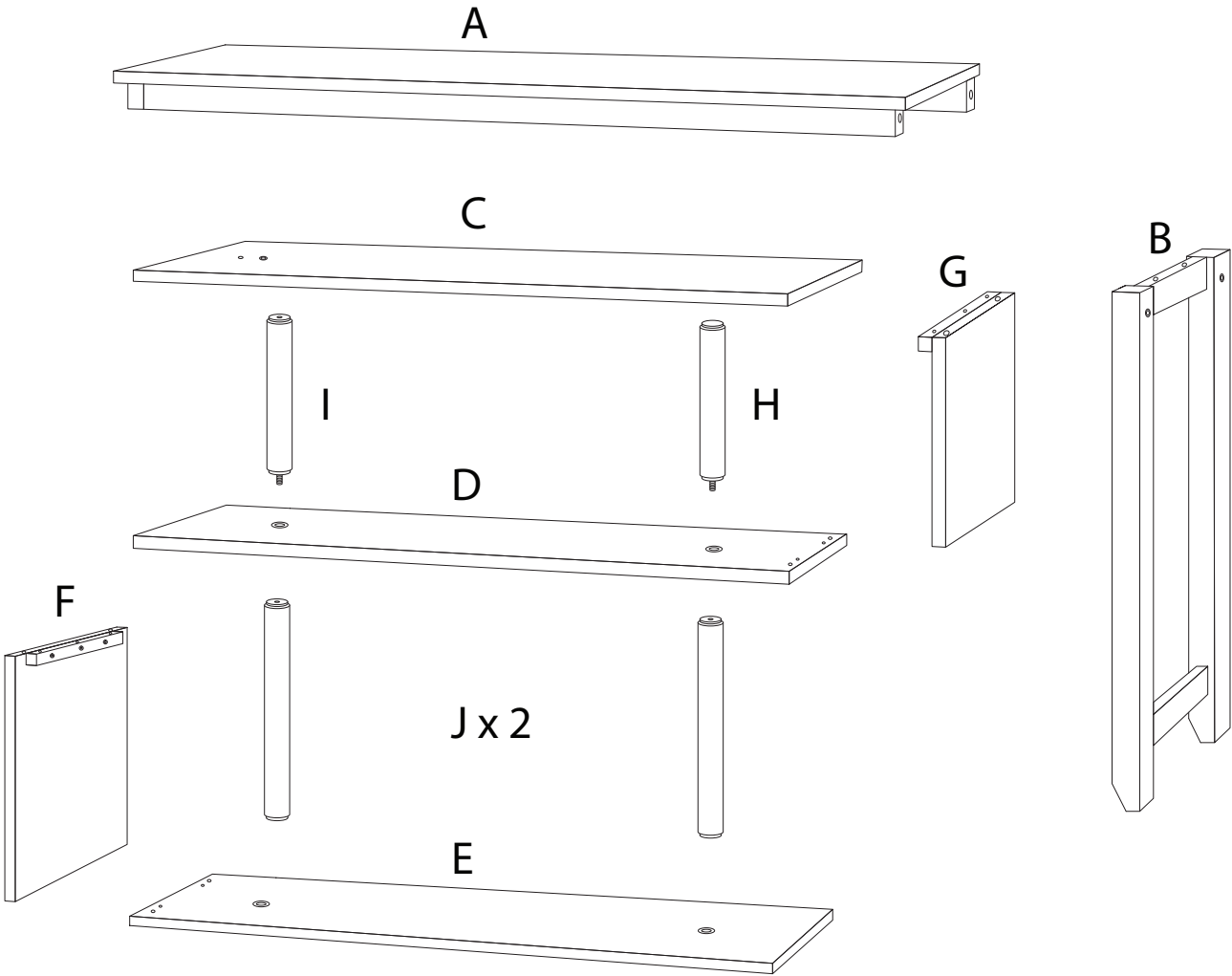
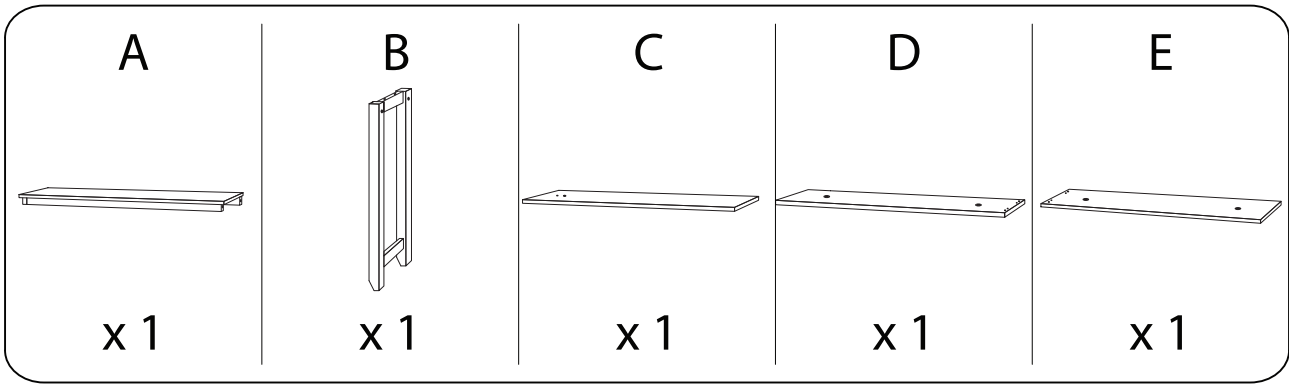




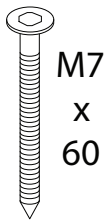
60'



1

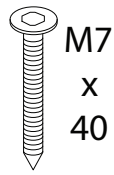


K



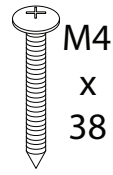
x 2

L



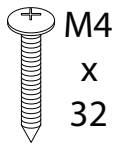
x 3

M



x 6

N



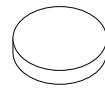
x 6

O



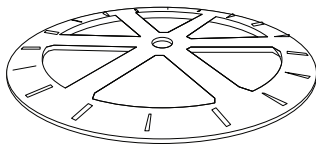
x 8

P



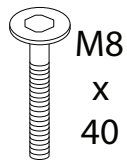
x 6

Q



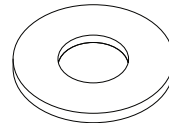
x 1

R



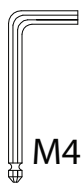
x 1

S



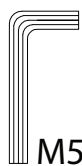
x 1

T



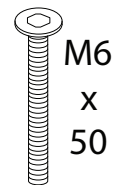
x 1

U



x 1

V



x 2

1

F



x1

G

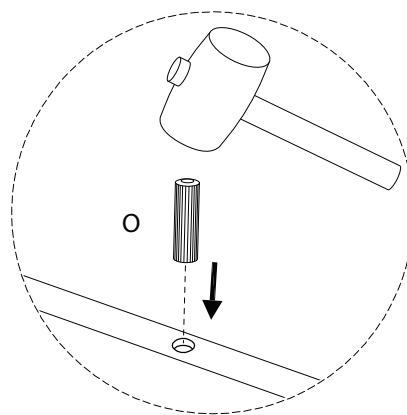
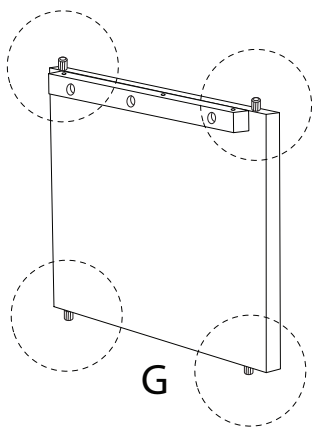
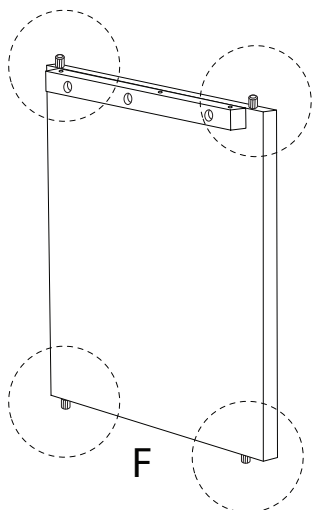


x1

O



x8



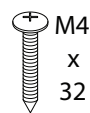
2

C



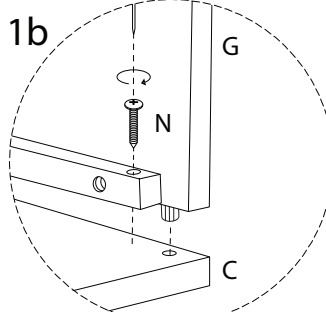
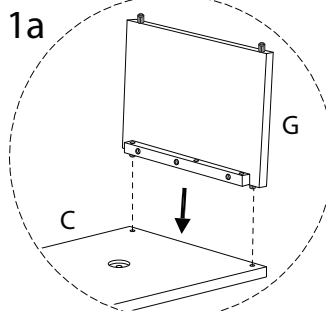
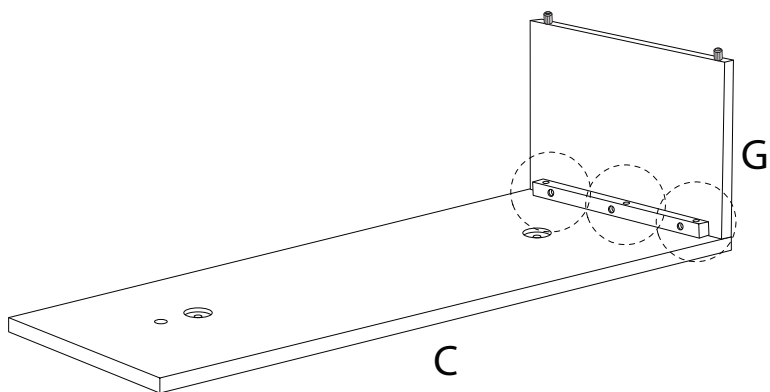
x1

N



M4
x
32

x3



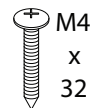
3

D

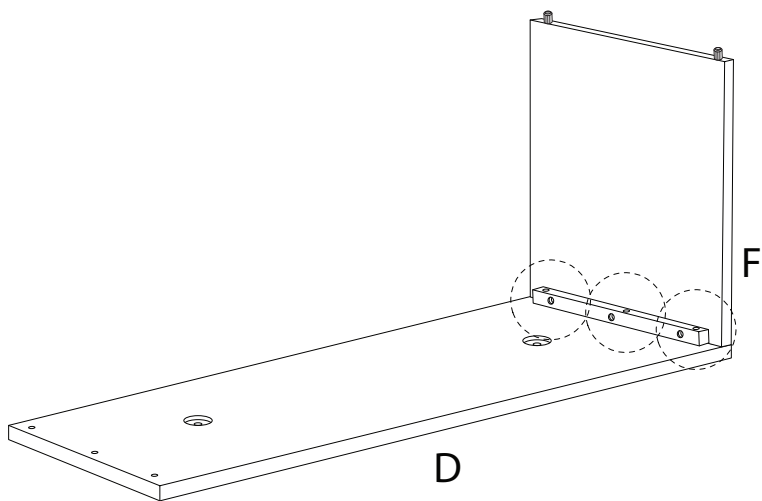


x 1

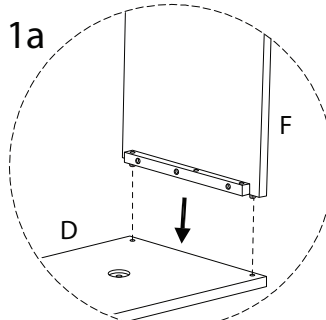
N



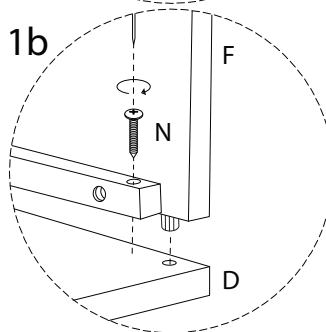
x 3



1a



1b



4

E

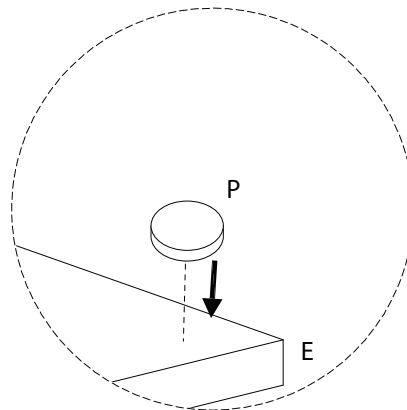
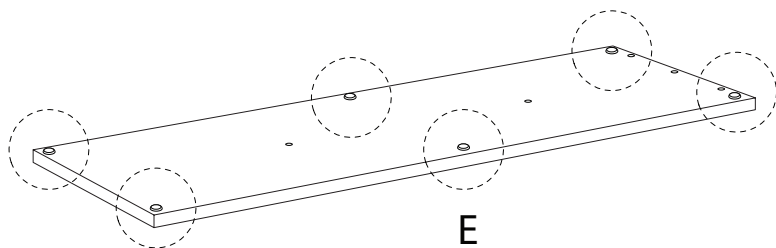


x 1

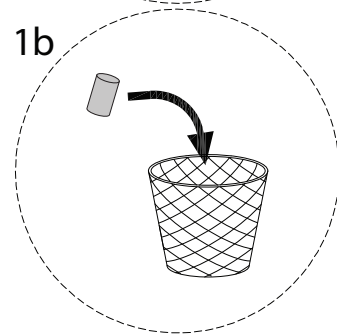
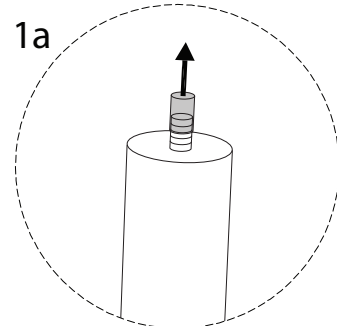
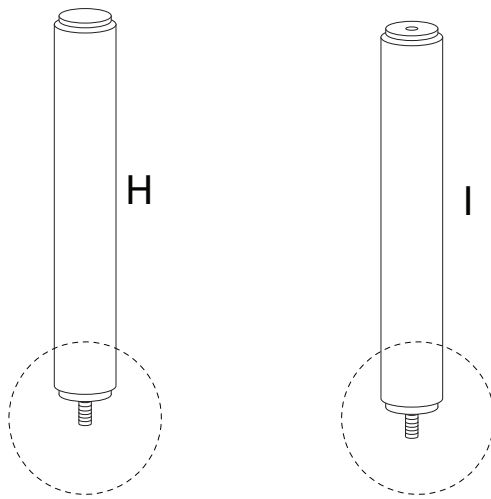
P



x 6



!

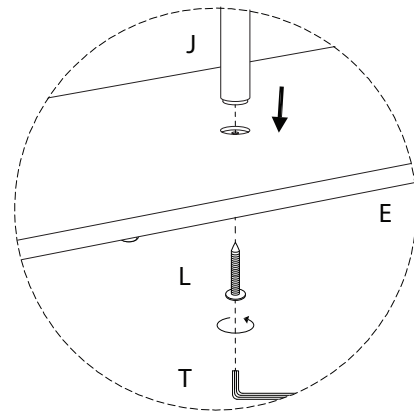
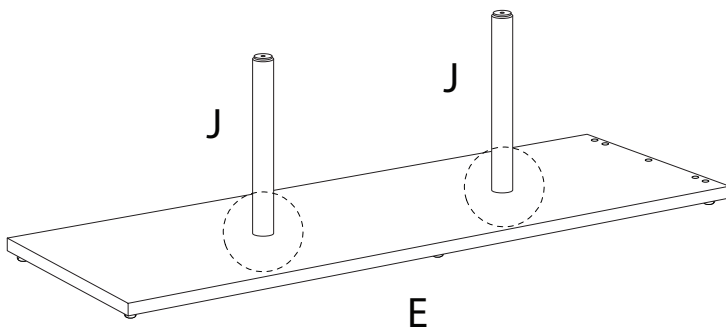


5

J
x 2

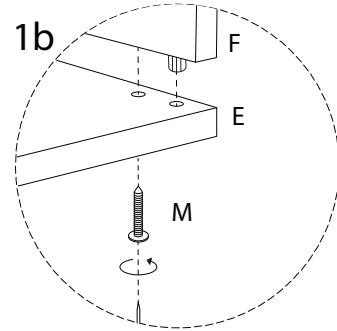
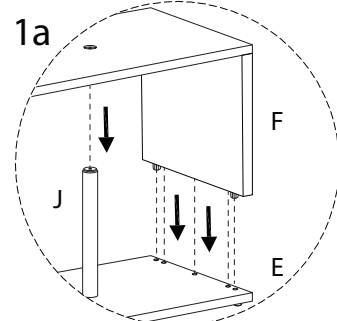
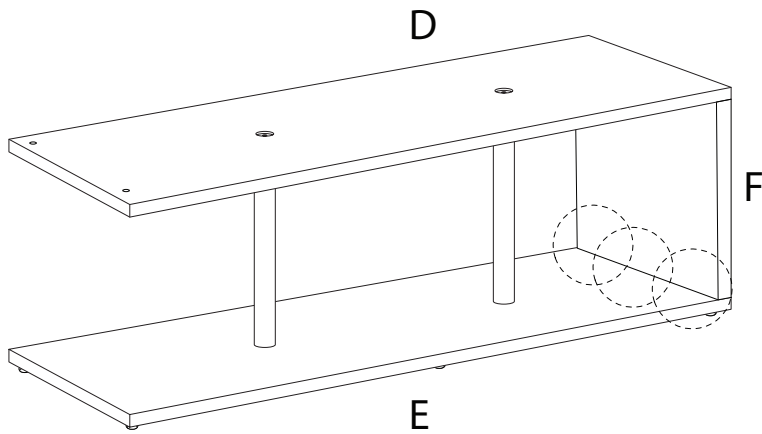
L
M7
x
40
x 2

T
M4
x 1



6

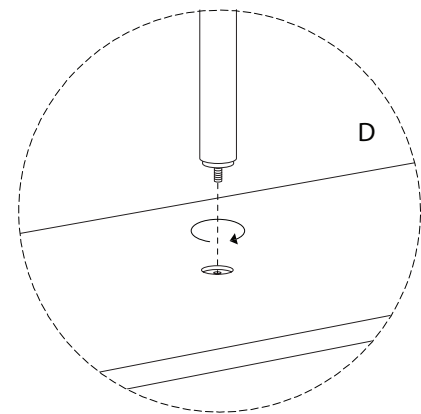
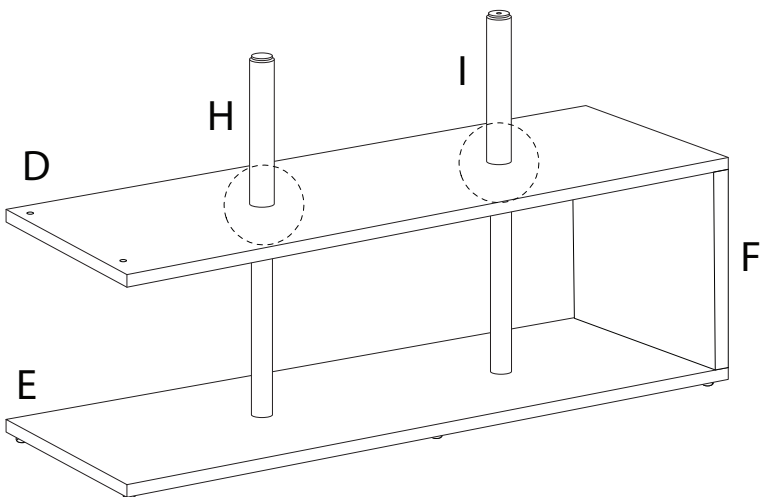
M
M4
x
38
x 3



7

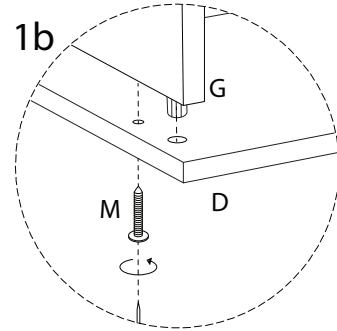
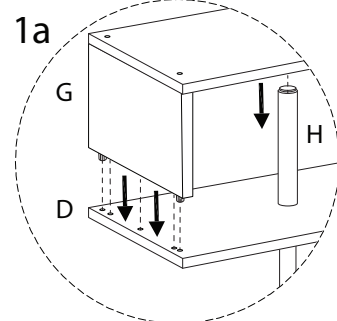
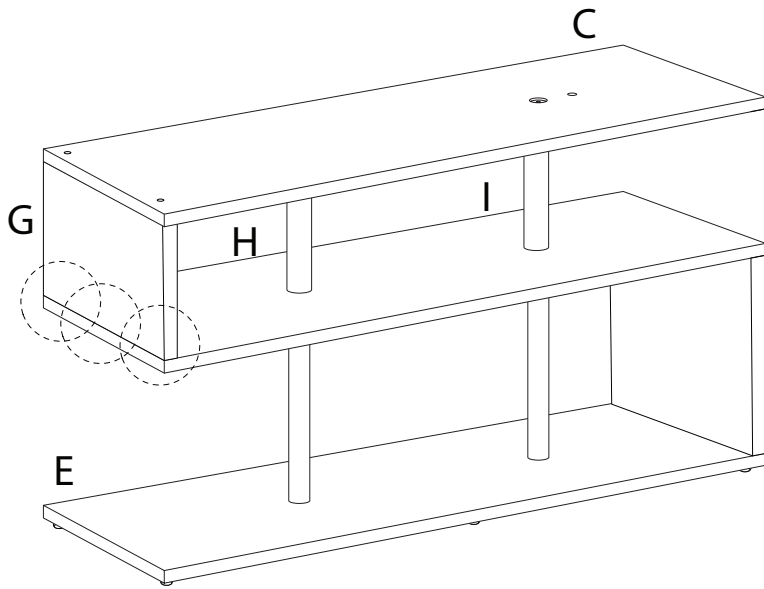
H
x 1

I
x 1



8

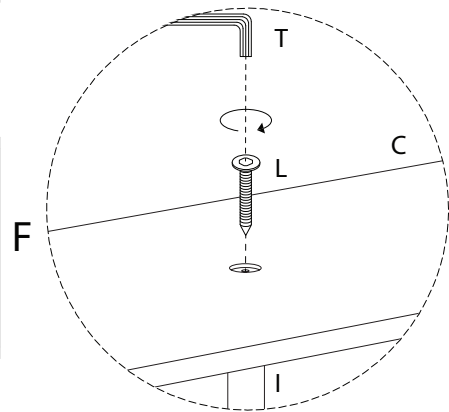
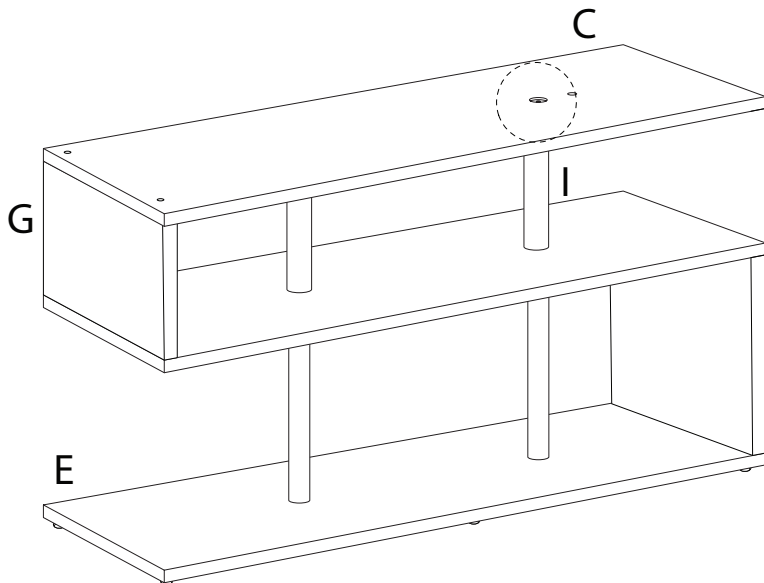
M
M4
x
38
x
3





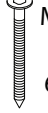

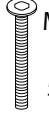
9

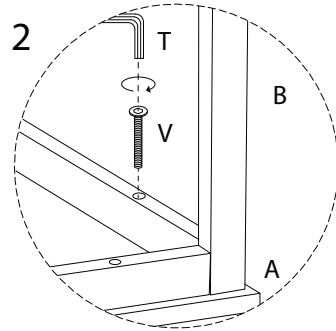
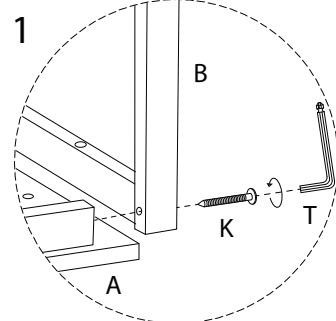
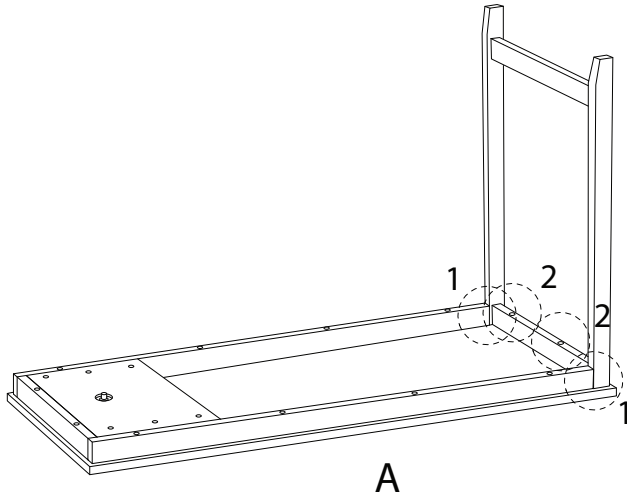
L
M7
x
40
x
1

T
M4
x
1

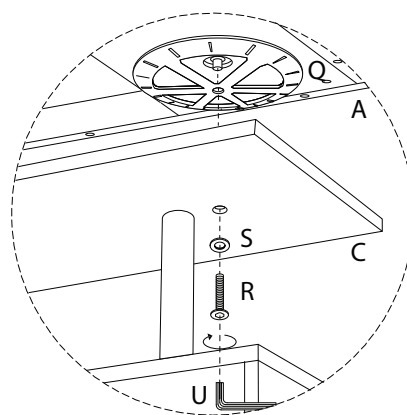
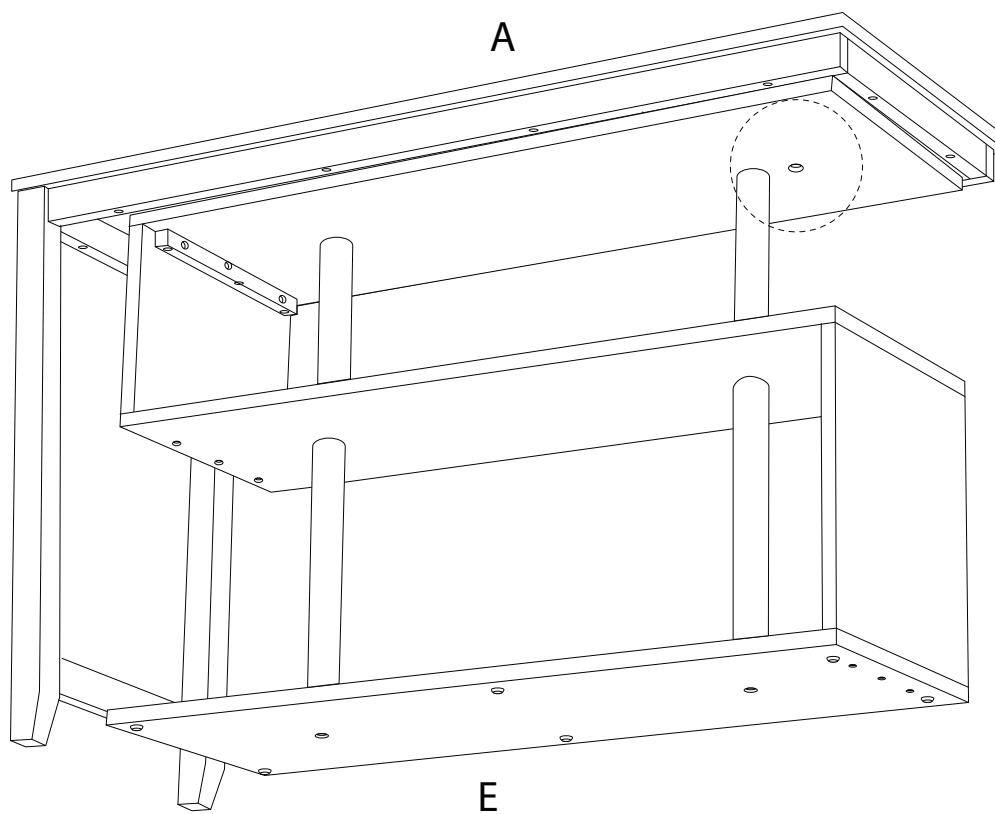
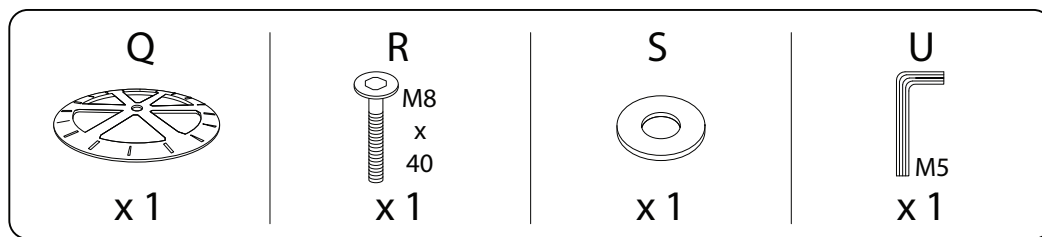


10

A  x 1	B  x 1	K  x 2	T  x 1	V  x 2
--	--	--	--	--



11



!

