
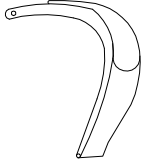


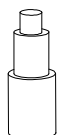
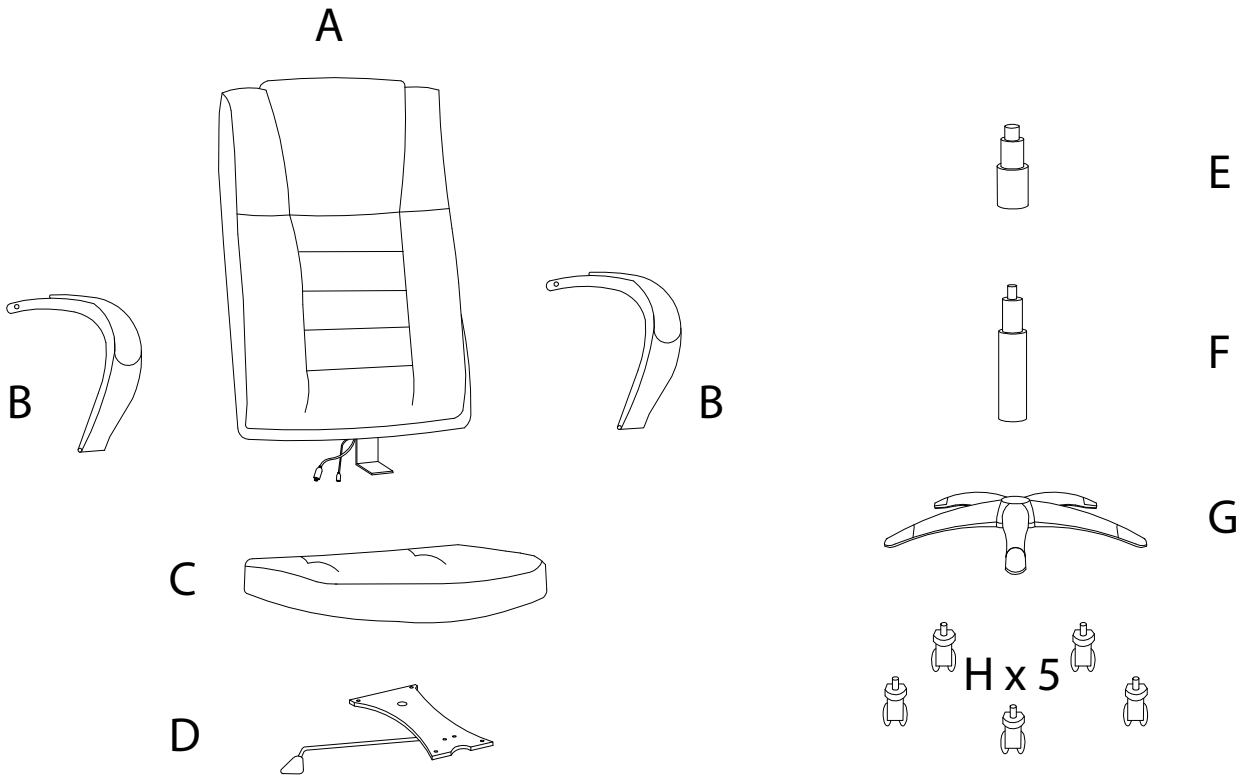


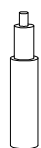
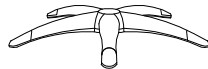


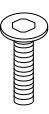
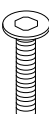
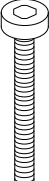
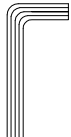
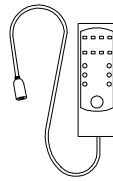
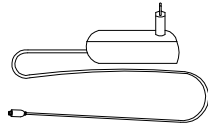


Diagram illustrating assembly instructions and safety warnings:

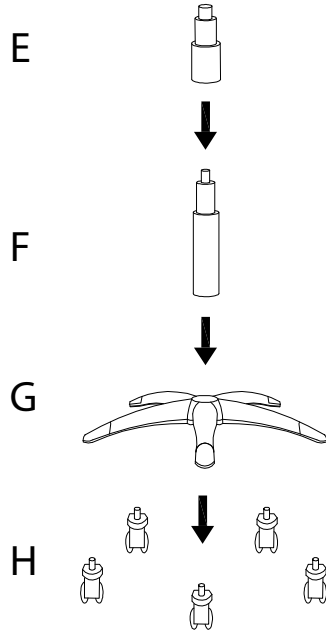
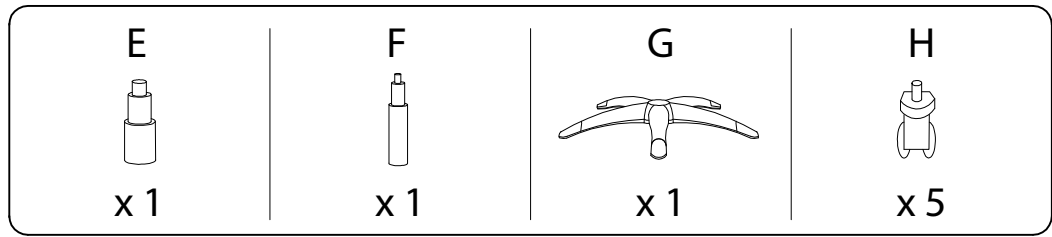
- Warning 1:** A triangle with an exclamation mark. To its left, a box contains an Allen key and a power drill with a diagonal line through it, indicating that a power drill should not be used.
- Warning 2:** A triangle with an exclamation mark. To its left, a box contains a rectangular block being placed on a surface and another block being placed on top of it with a diagonal line through it, indicating that the blocks should not be stacked.
- Time:** A clock icon with the text "30'" below it, indicating a 30-minute assembly time.
- Person:** An icon of a person with the number "1" below it, indicating that one person is required for assembly.

A	B	C	D	E
				
x 1	x 2	x 1	x 1	x 1

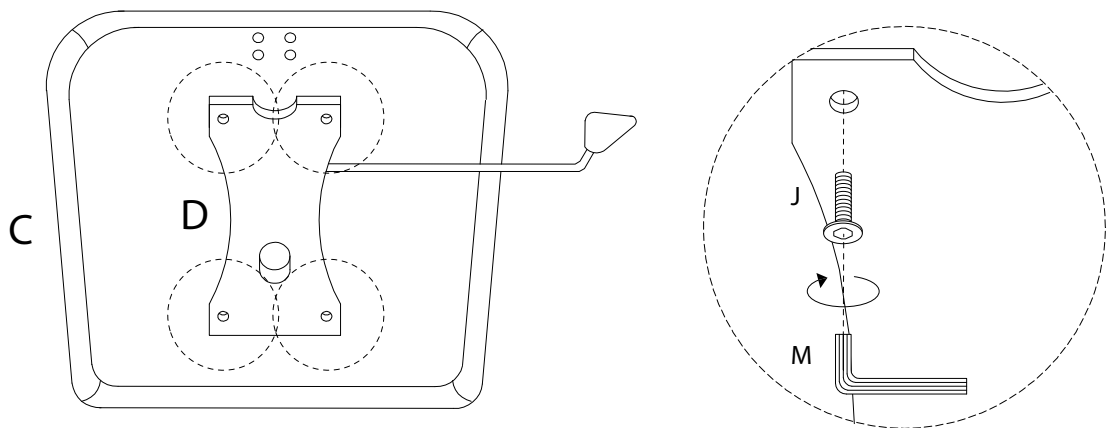
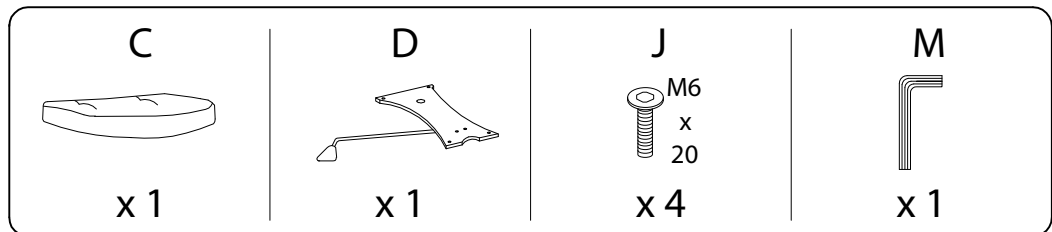


F	G	H	I	J
				 M6 x 20
x 1	x 1	x 5	x 4	x 4
K	L	M	N	O
 M6 x 25	 M8 x 60			
x 4	x 4	x 1	x 1	x 1

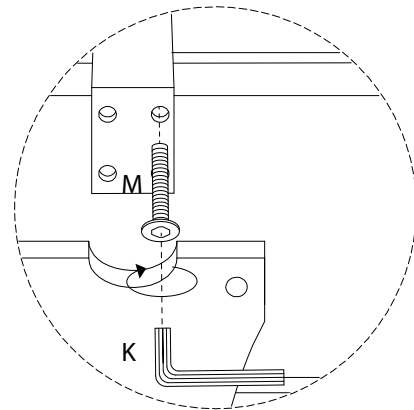
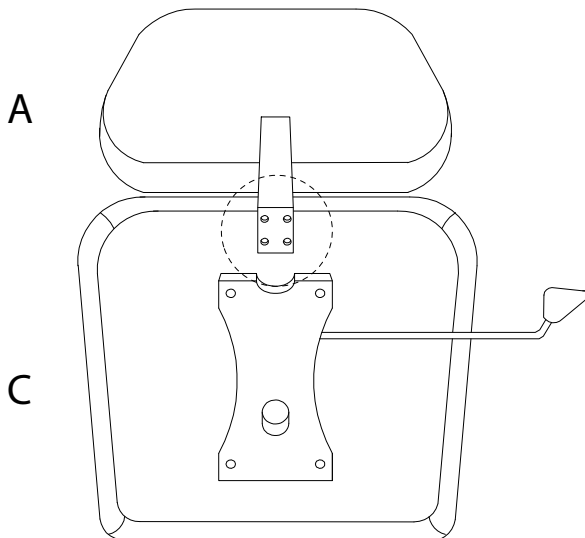
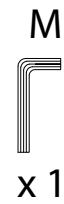
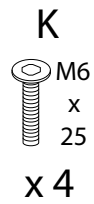
1



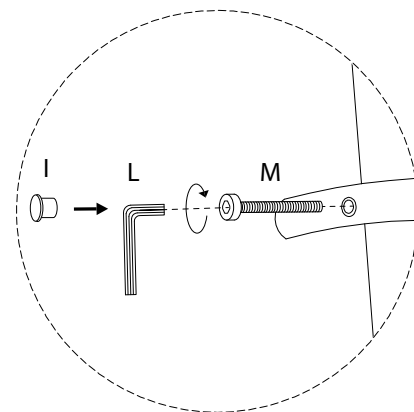
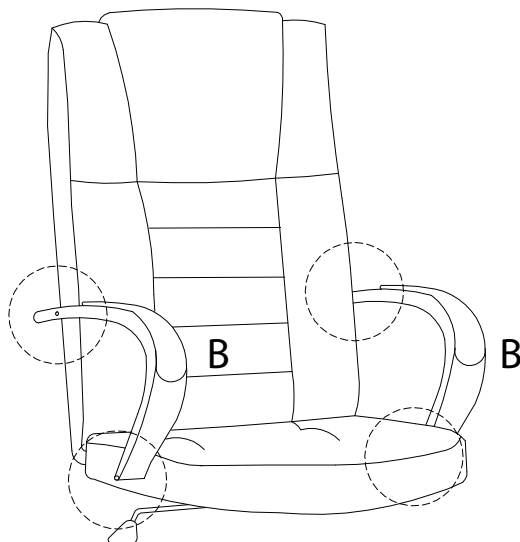
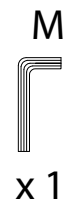
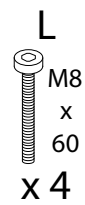
2



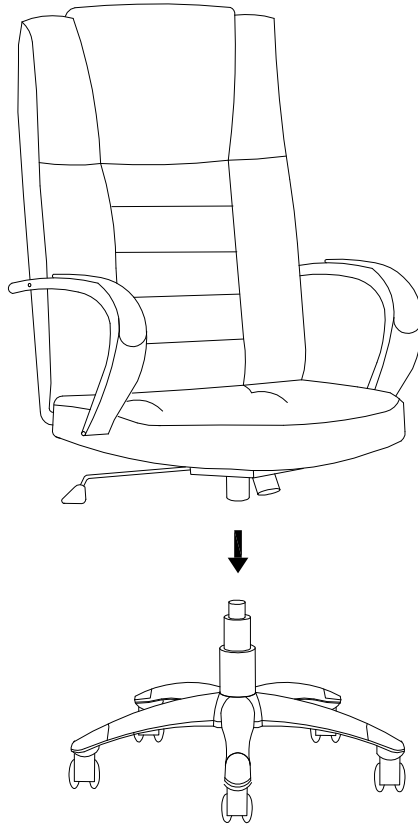
3



4



5



6

