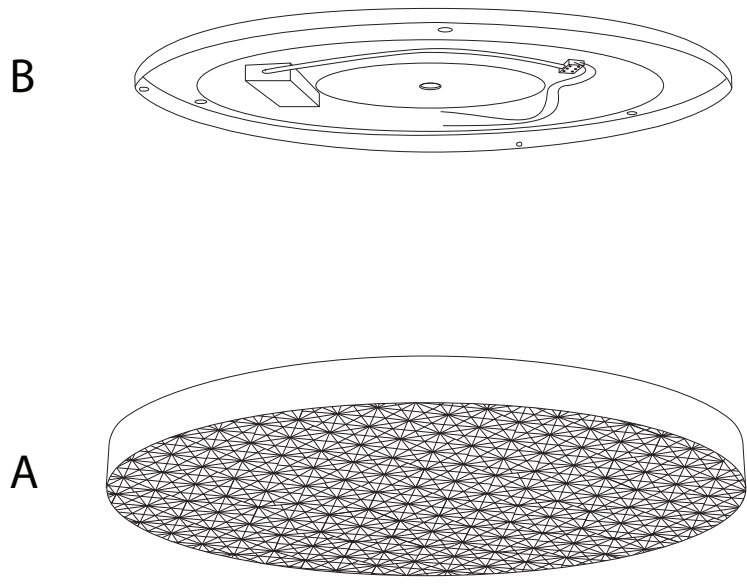
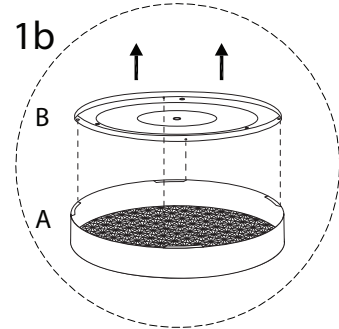
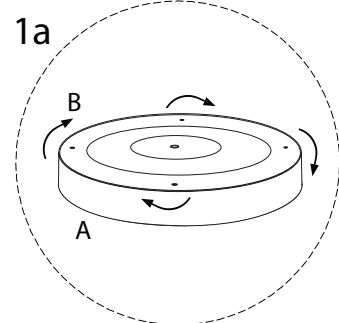
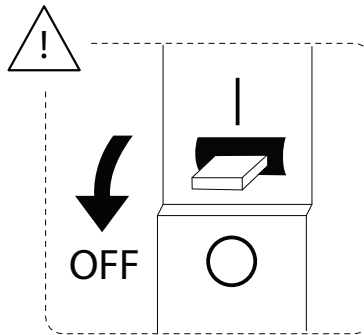
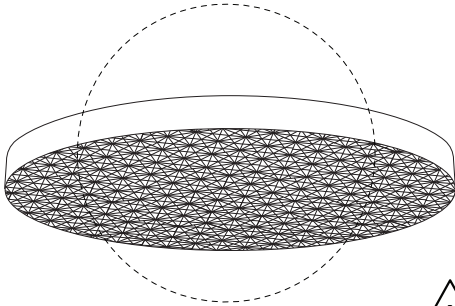
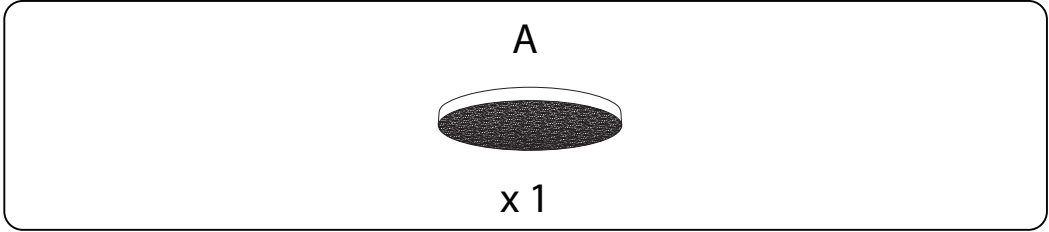


1/4

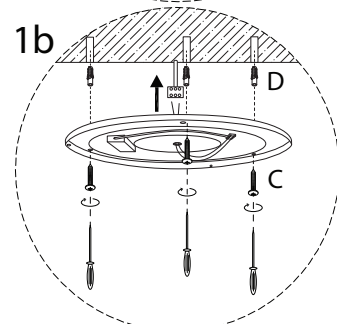
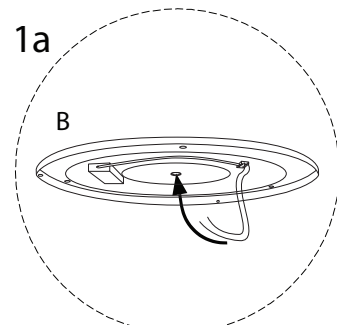
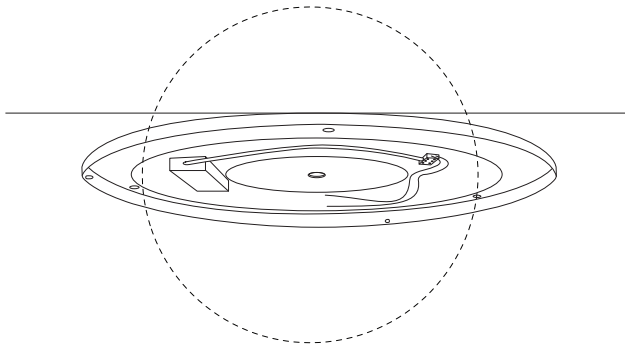
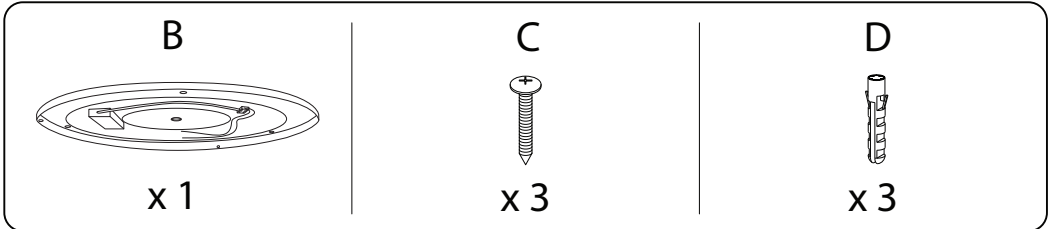


A	B	C	D
x 1	x 1	x 3	x 3

1



2



3

