
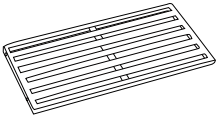

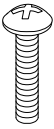
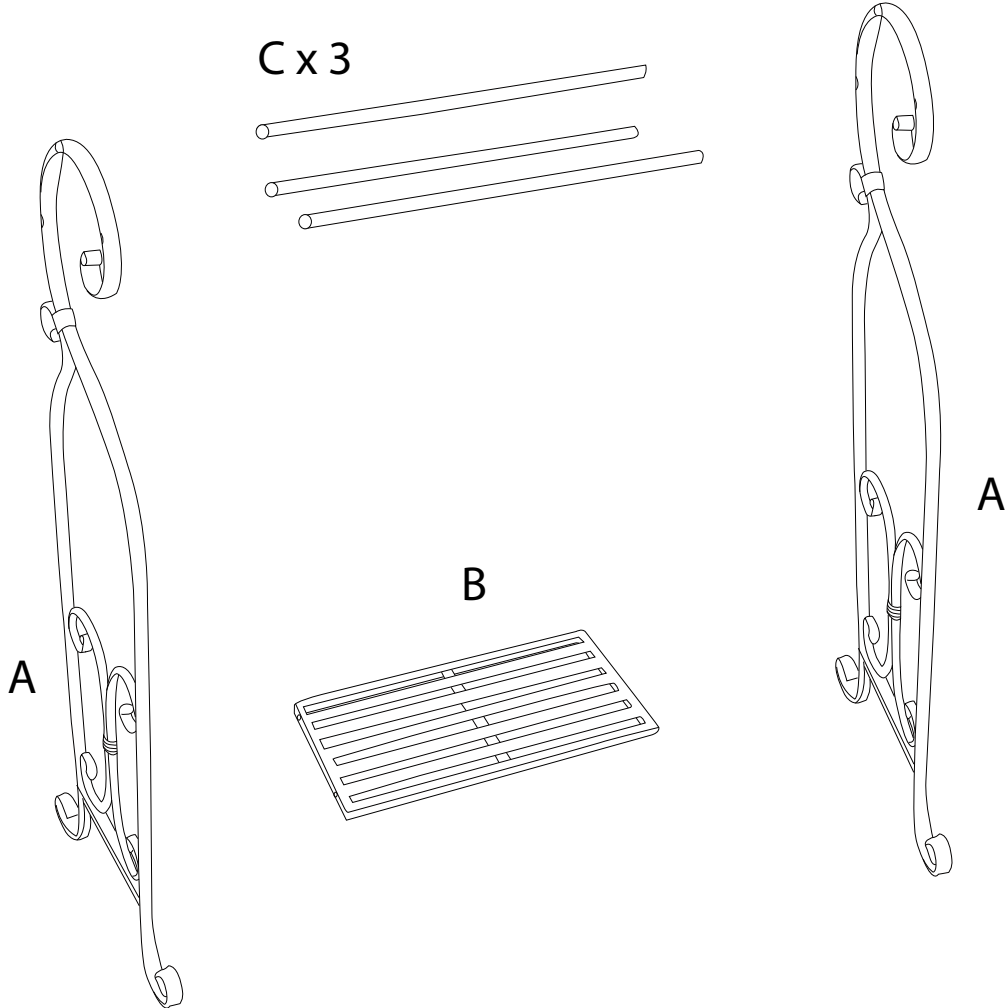


Assembly instructions for step 1/4:

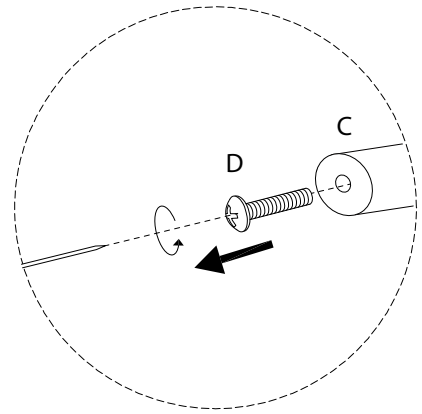
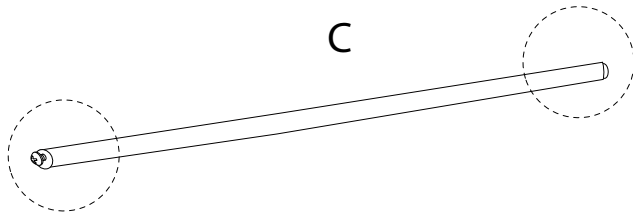
- Tools:** A screwdriver is shown as the required tool. A power drill is shown with a diagonal line through it, indicating it is not to be used.
- Warning:** A warning triangle with an exclamation mark is positioned above the tool icons.
- Time:** A clock icon indicates that this step takes 30 minutes.
- Personnel:** An icon of a person indicates that one person is required for this step.

1/4

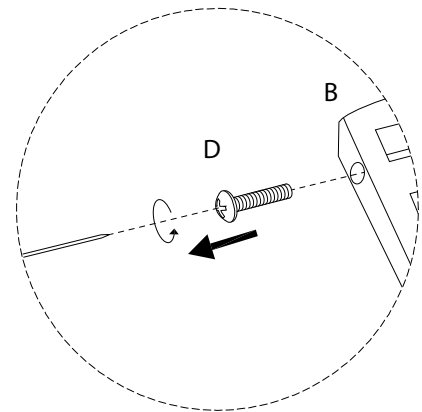
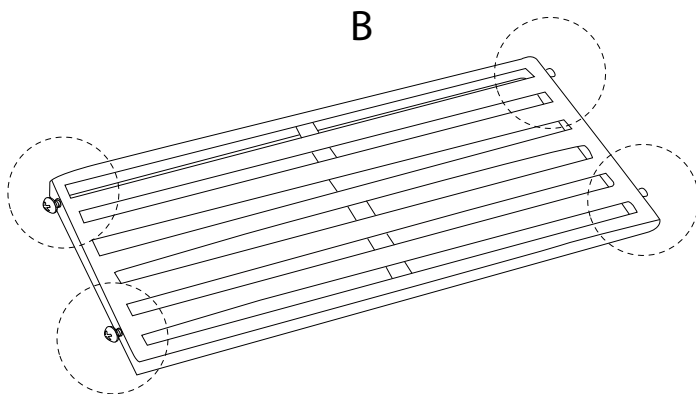
<b>A</b>  <b>x 2</b>	<b>B</b>  <b>x 1</b>	<b>C</b>  <b>x 3</b>	<b>D</b>  <b>x 10</b>
---	---	--	--



!



!



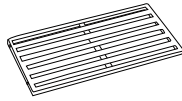
1

A



x 2

B



x 1

C



x 3

D



x 10

