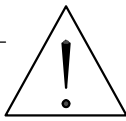
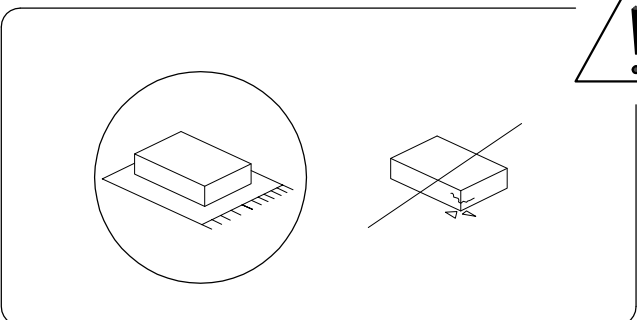
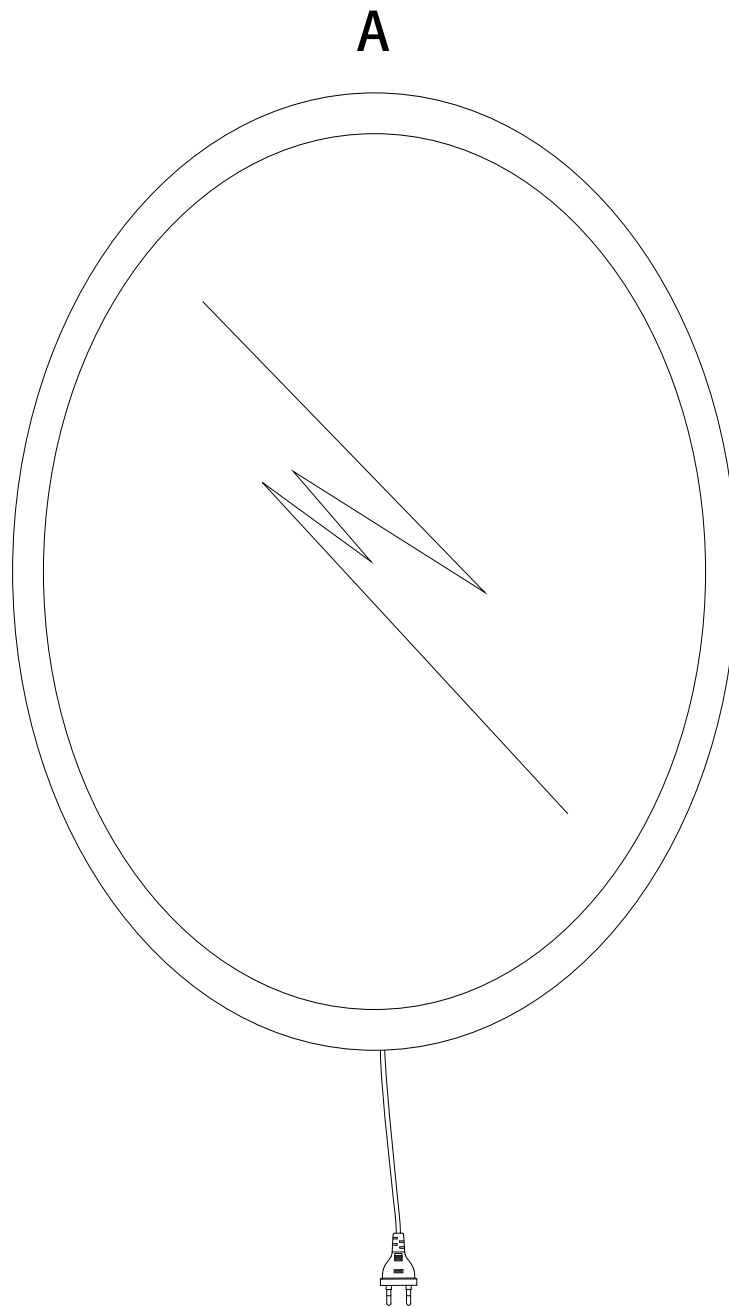
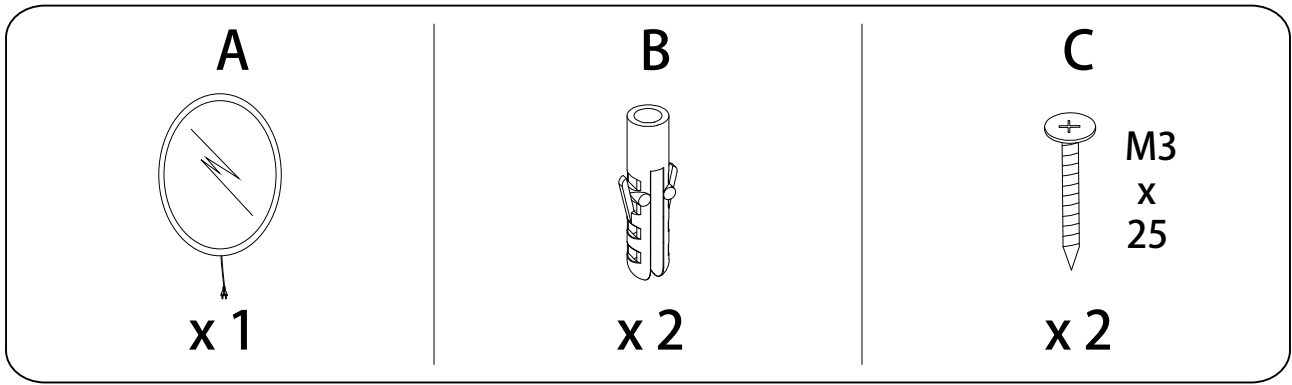


10'



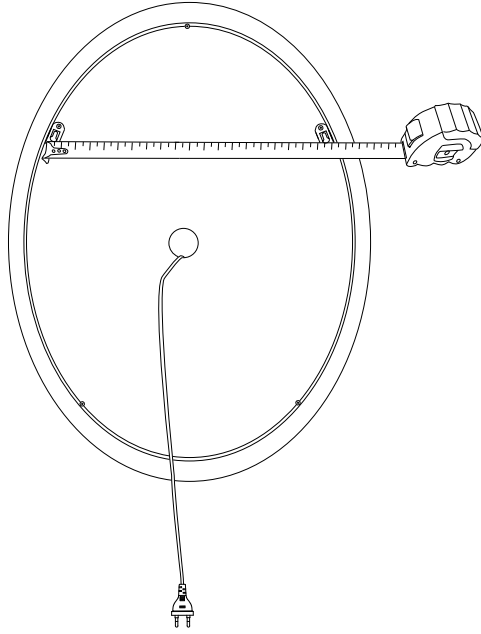
1

1/5

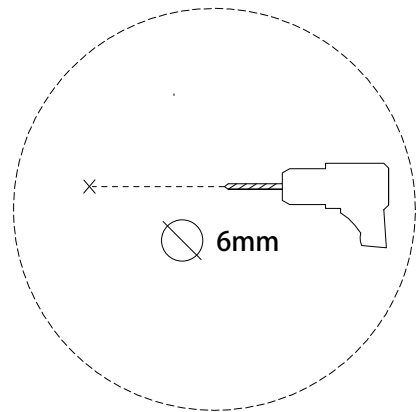
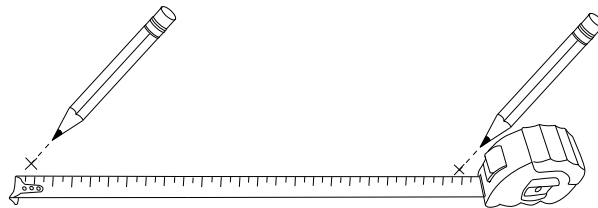


1


A
x1




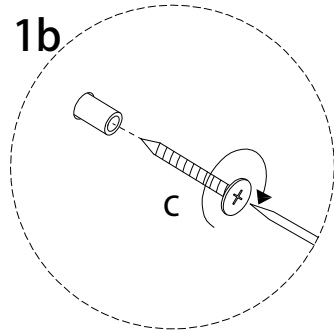
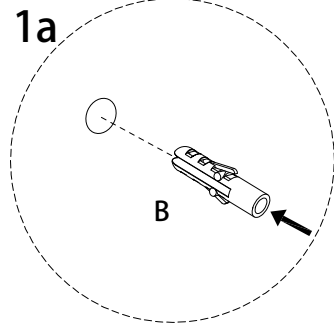
2



3

B

x 2

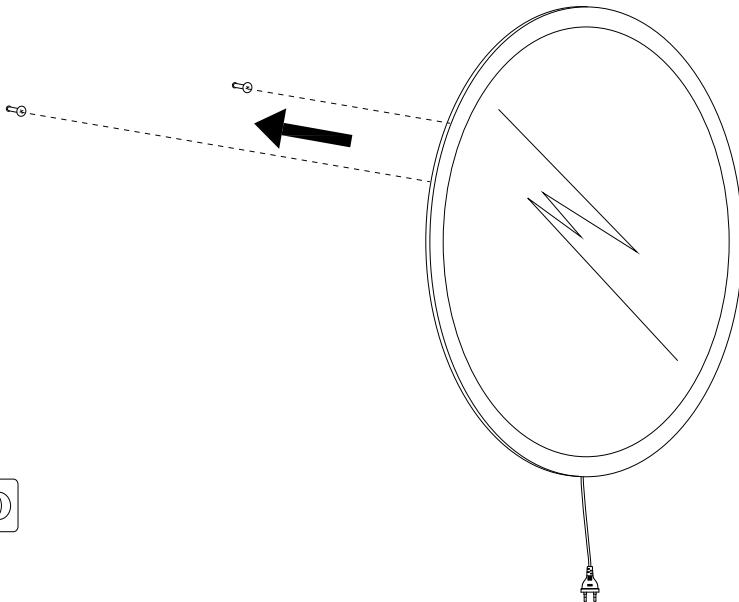
C

M3
x 25
x 2



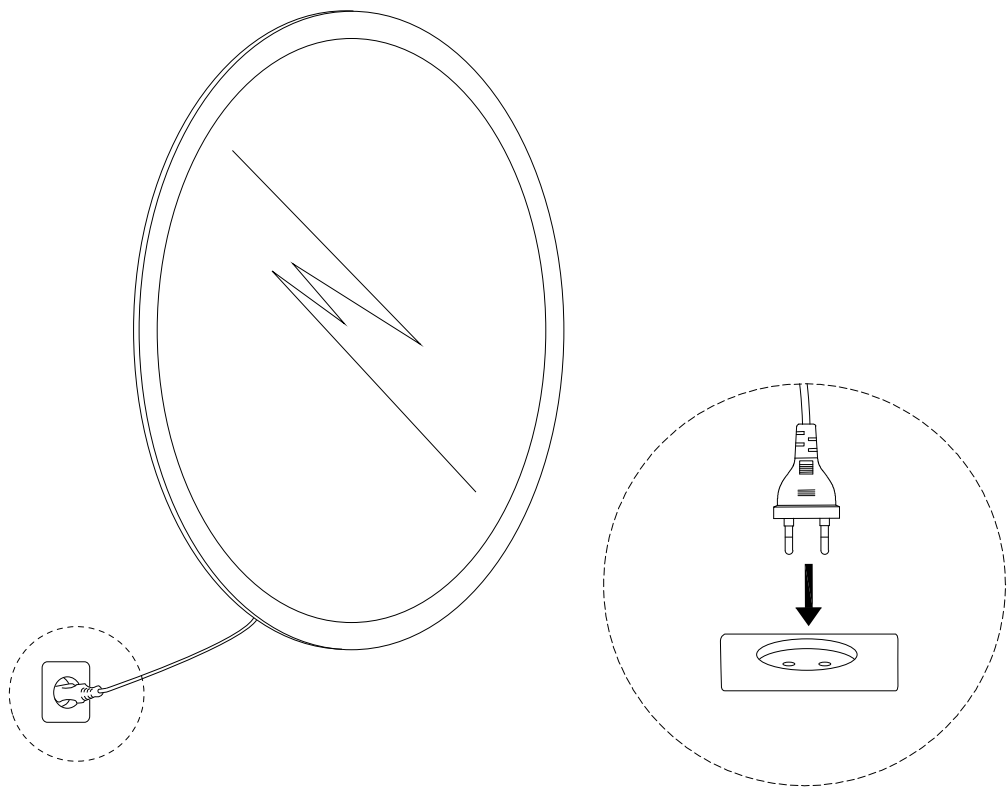
4

A

x 1



5



!

