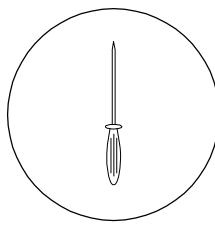
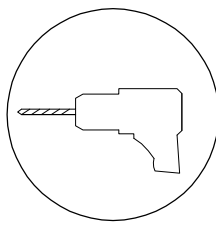
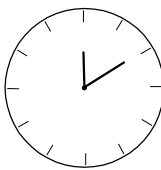
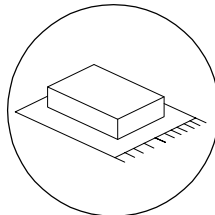
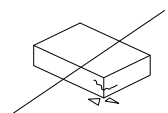
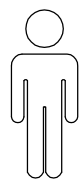
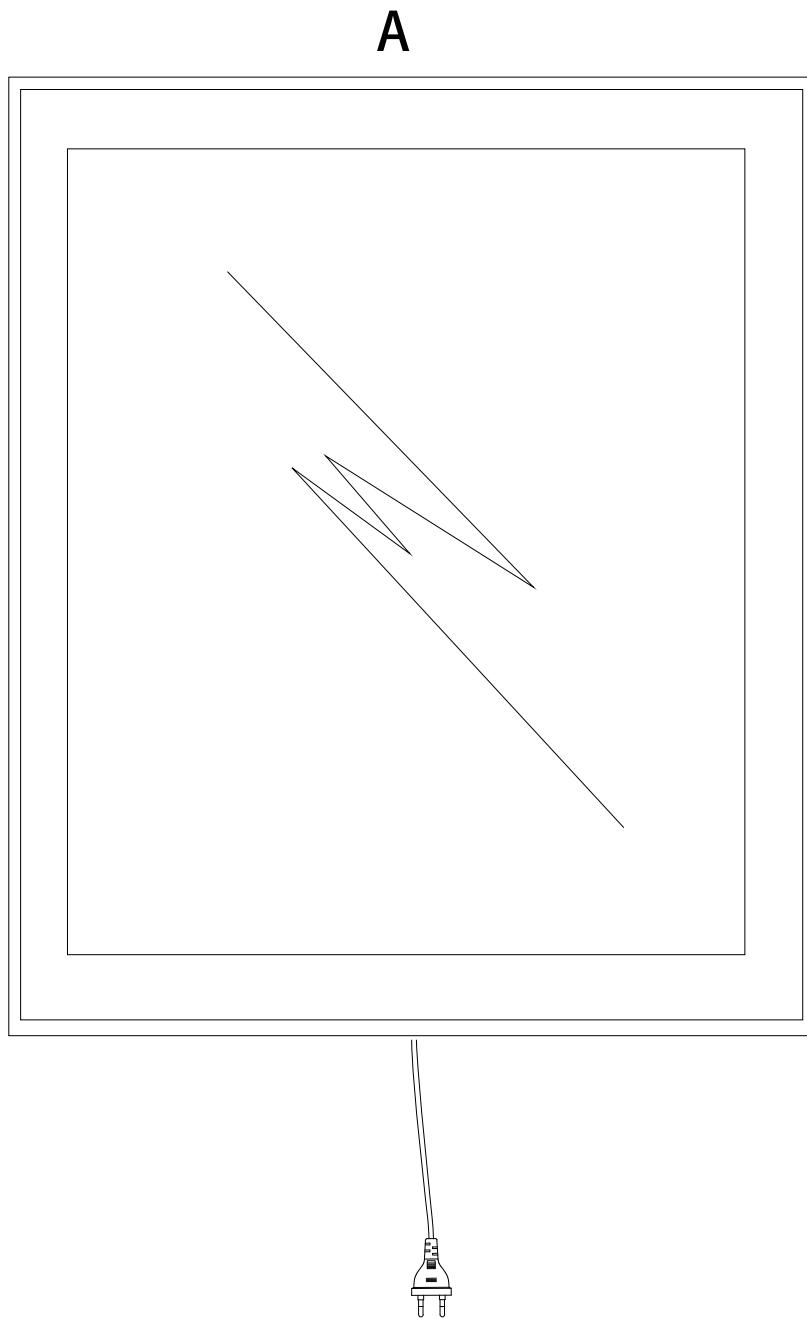
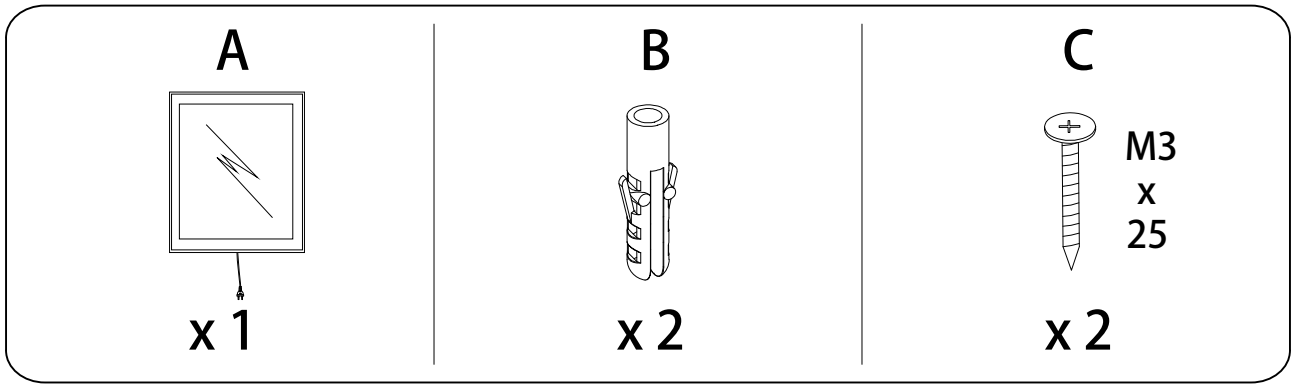


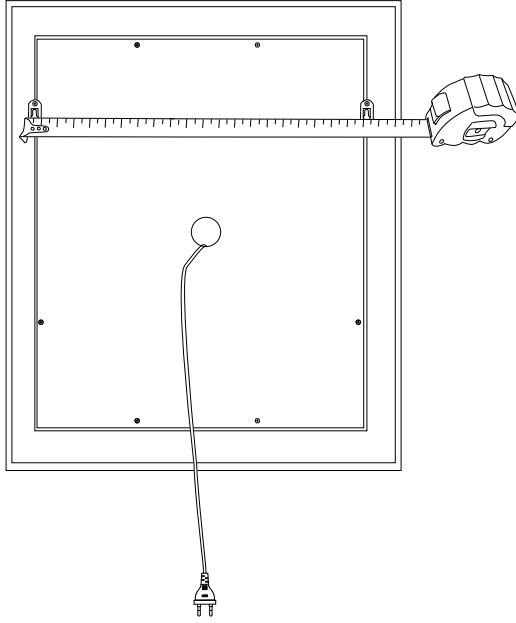
!    **10'**

!    **1**

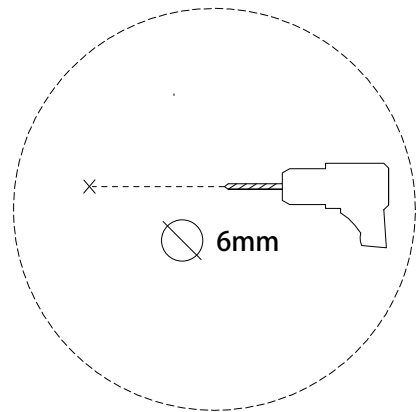
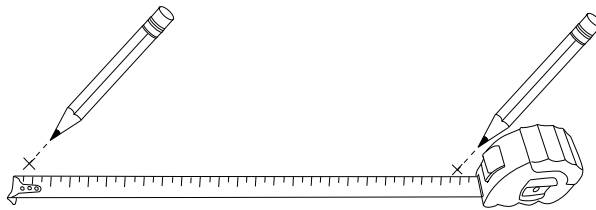
1/5




1




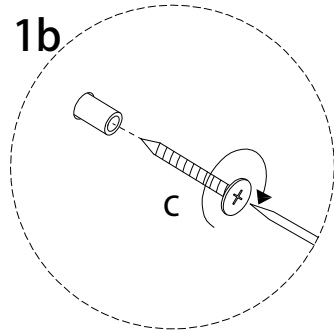
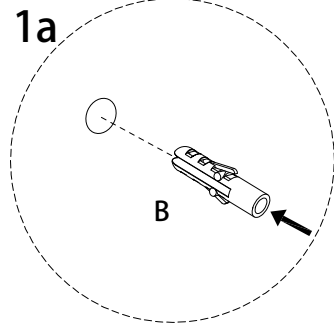
2



3

B

x 2

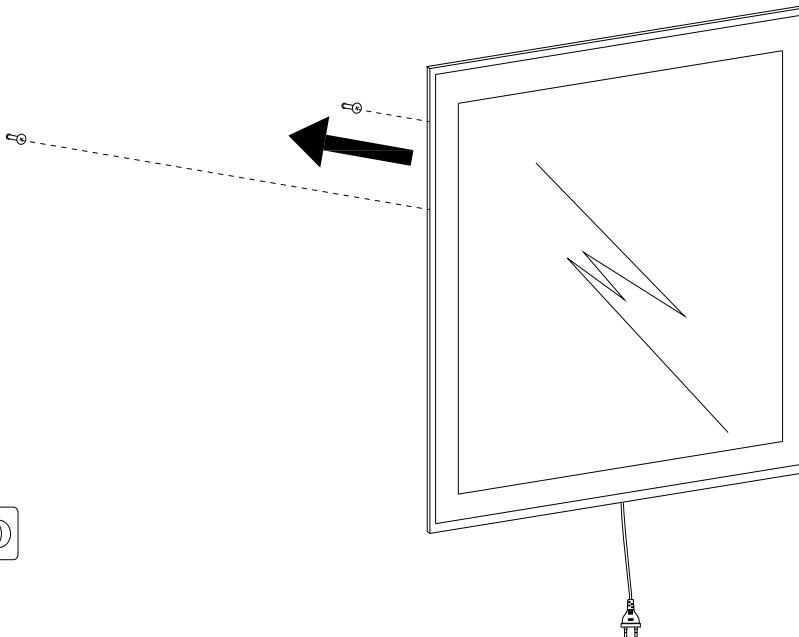
C

M3
x 25
x 2



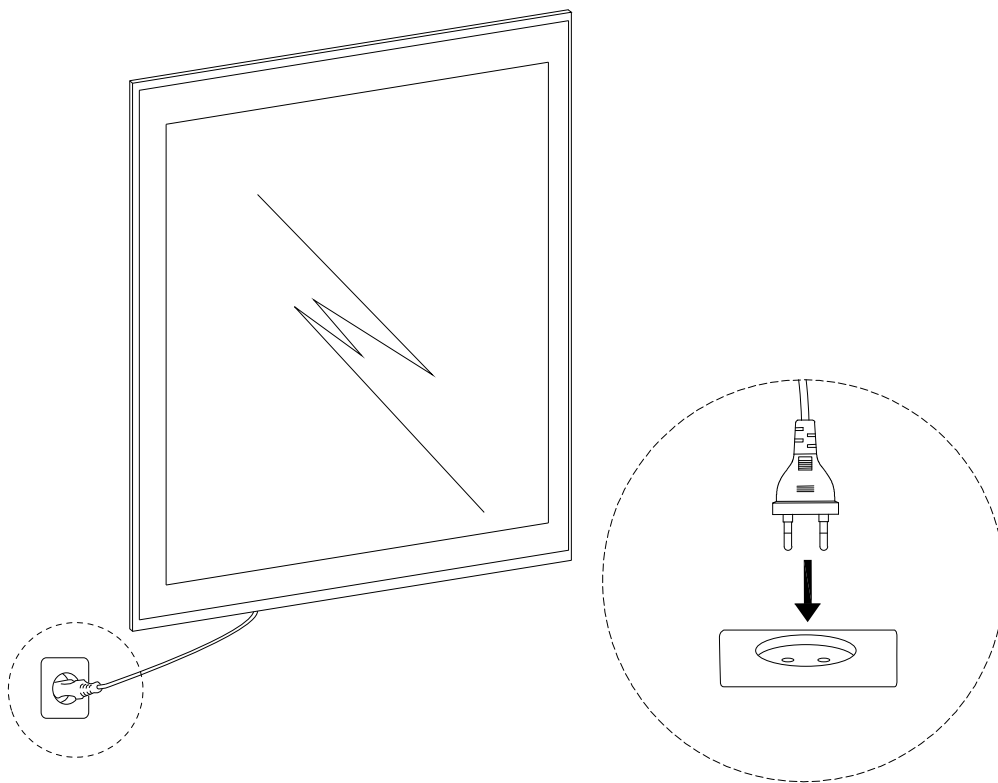
4

A

x 1



5



!

