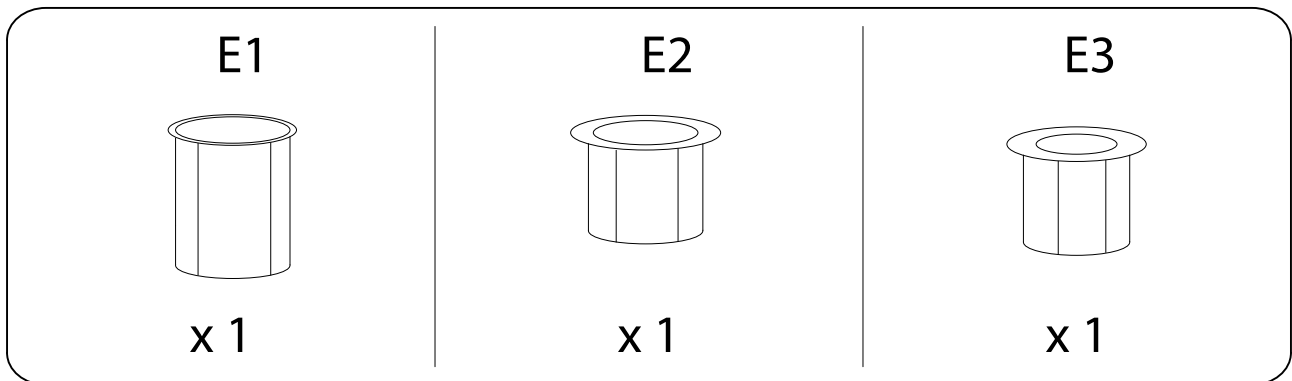
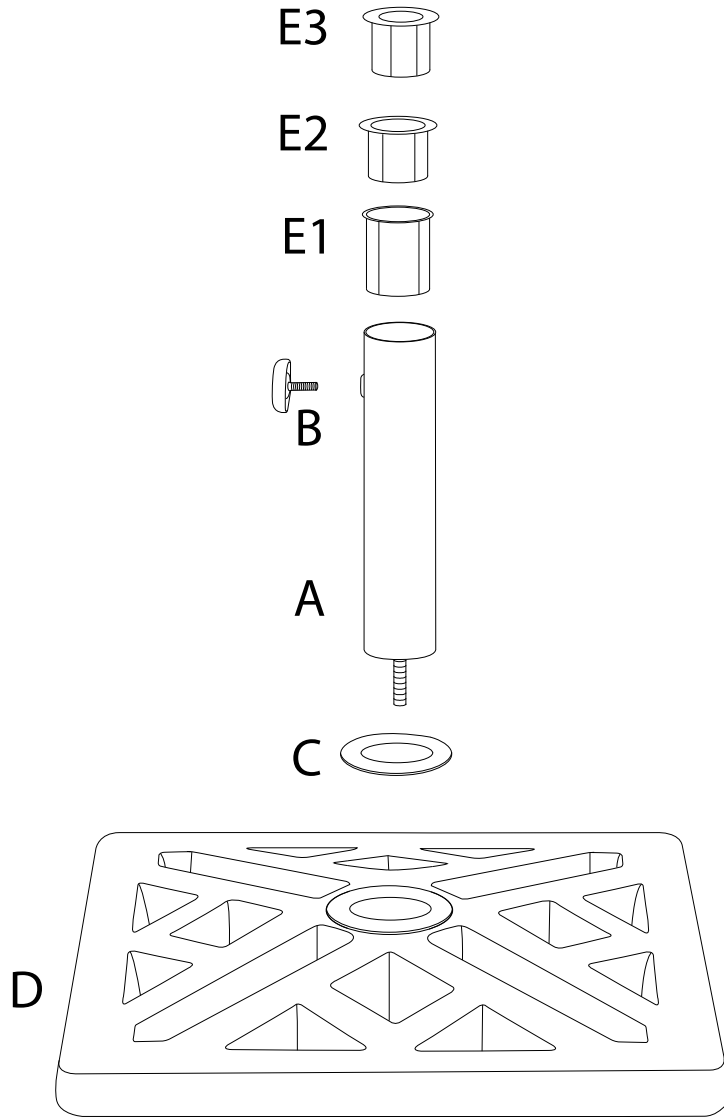
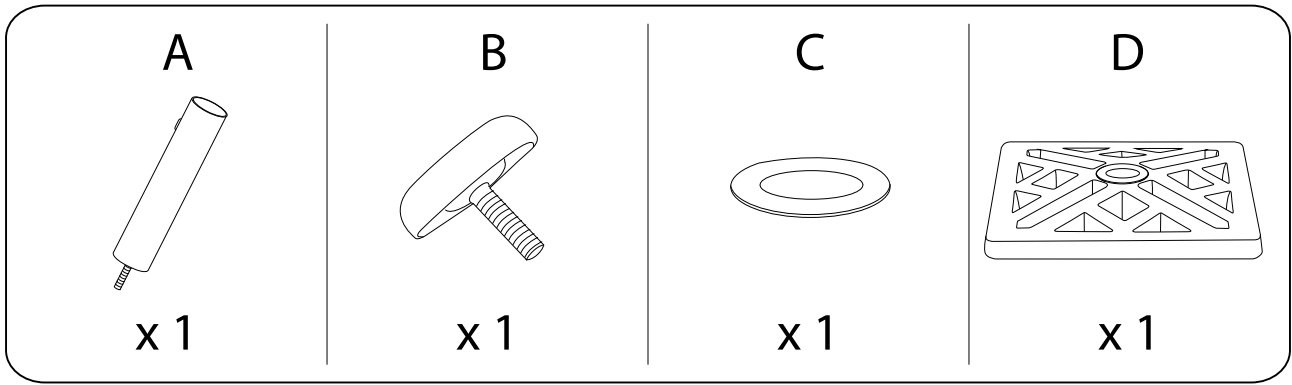
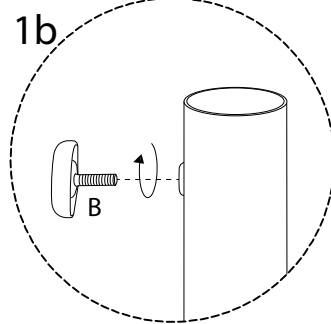
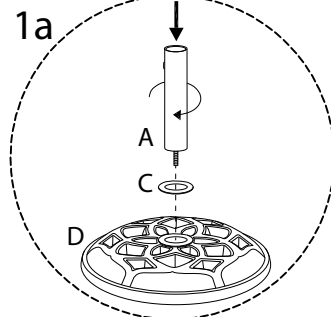
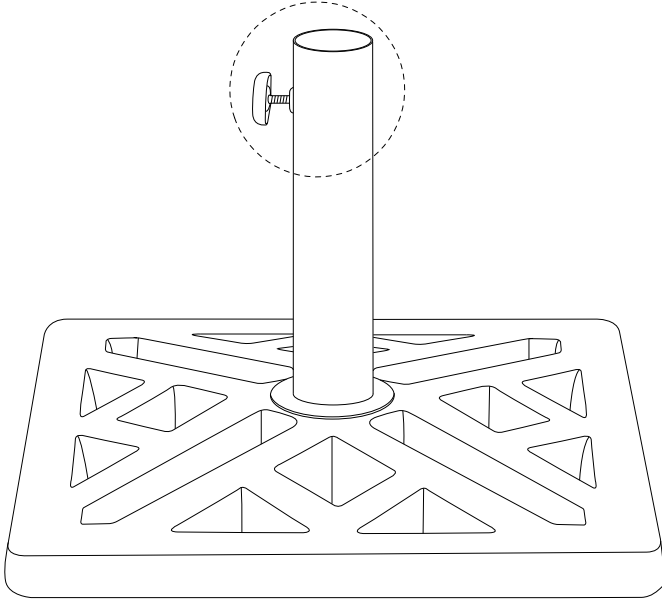
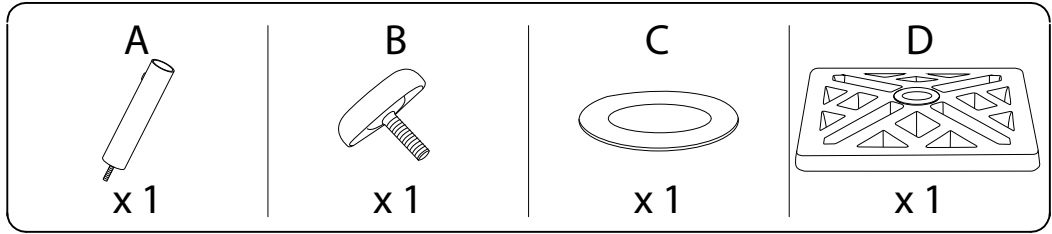


Diagram illustrating safety and installation instructions:

- Top Section:** A warning triangle with an exclamation mark is positioned above a box. Inside the box, a hand is shown holding a power drill, with a diagonal line through it indicating that drilling is prohibited. To the right of this box is a clock icon with the number '5'' below it, indicating a 5-minute time limit.
- Bottom Section:** A second warning triangle with an exclamation mark is positioned above a box. Inside the box, a rectangular block is shown being placed on a textured surface, with a diagonal line through it indicating that this action is prohibited. To the right of this box is a human figure icon with the number '1' below it, indicating that one person is required for the task.



1



2

