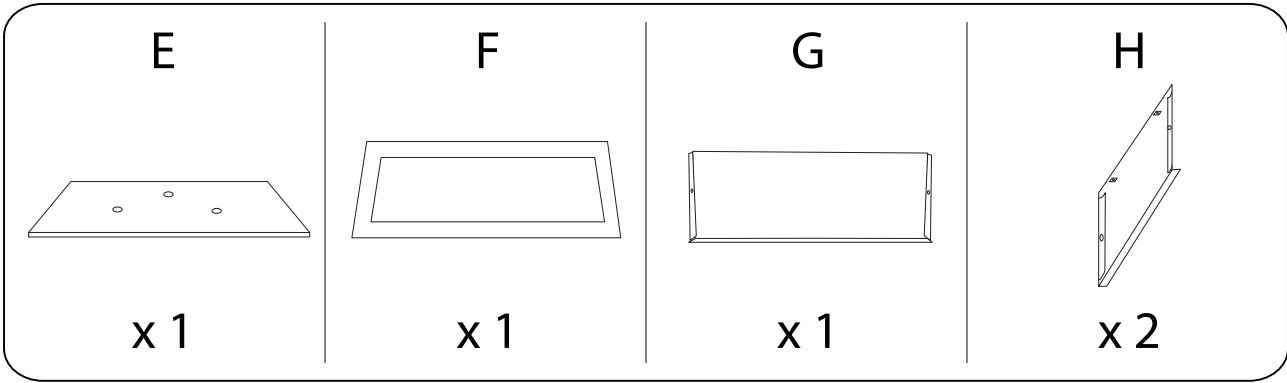
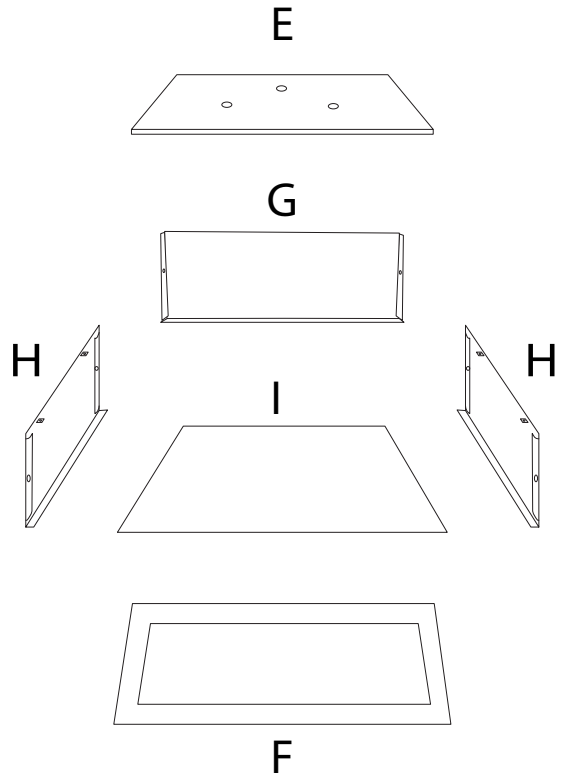
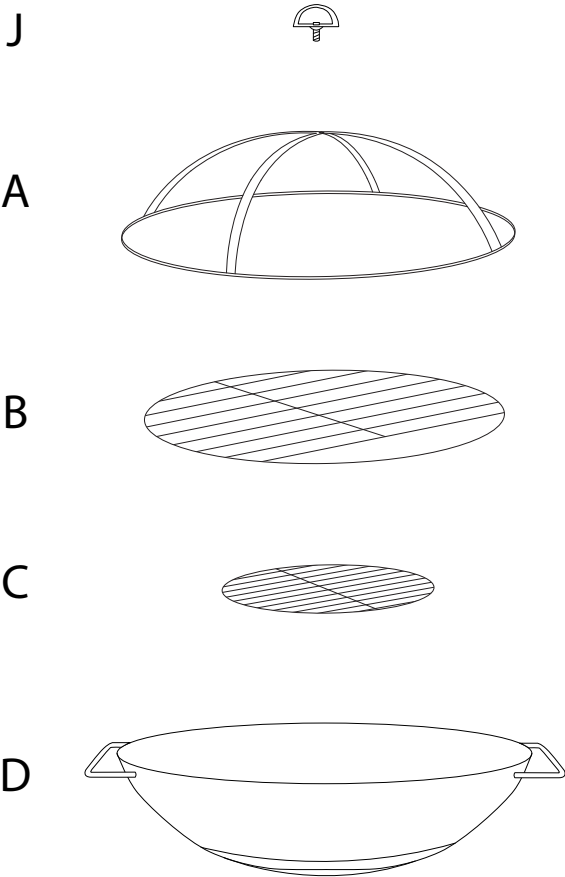
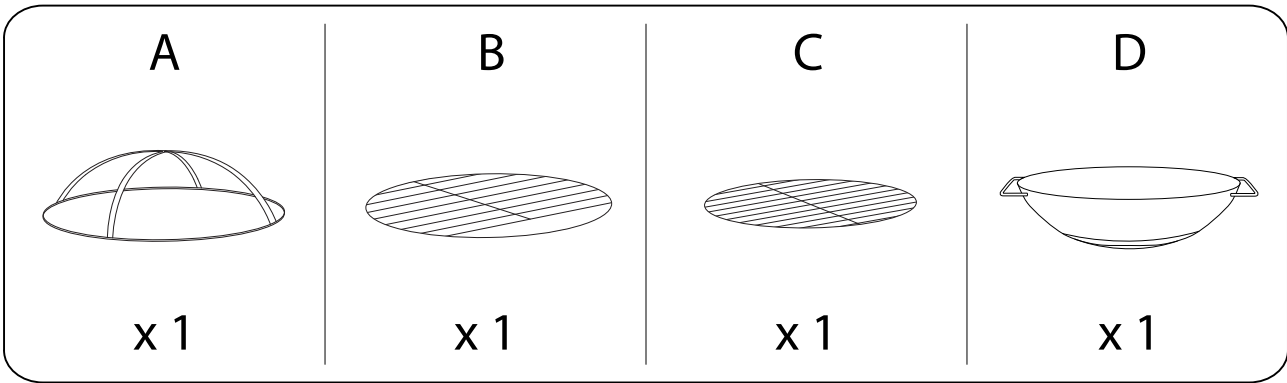
 1

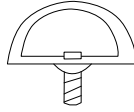


I



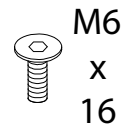
x 1

J



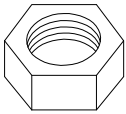
x 1

K



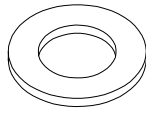
x 11

L



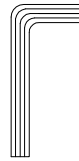
x 1

M



x 1

N



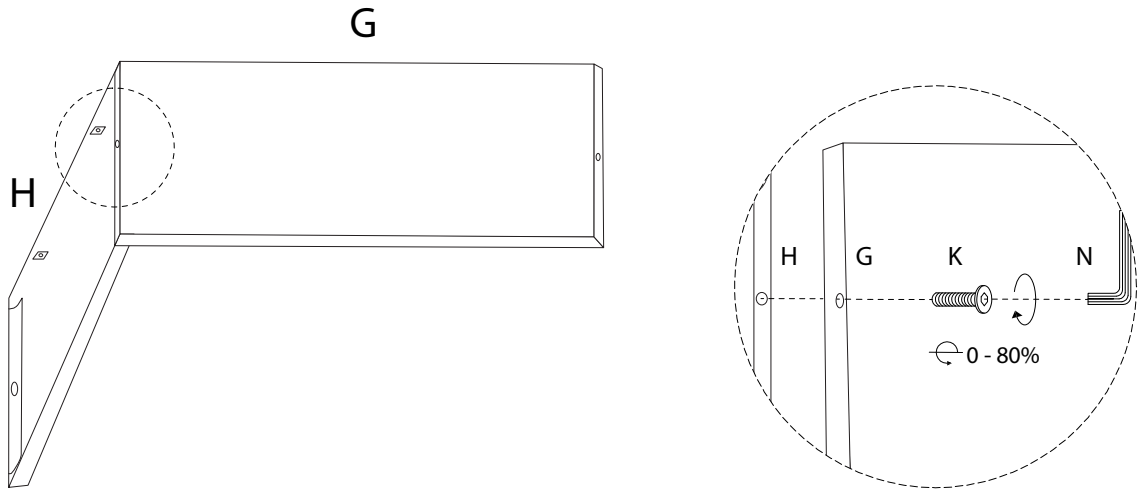
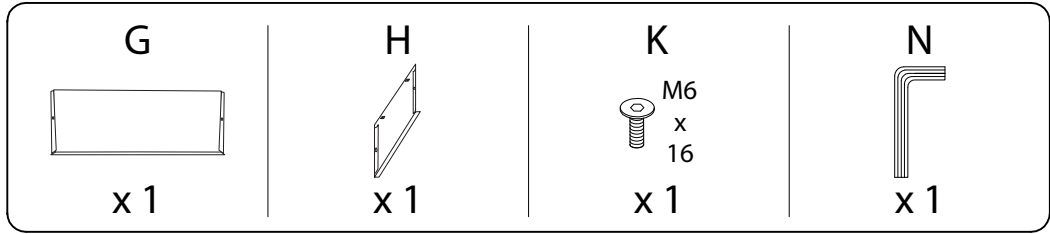
x 1

O

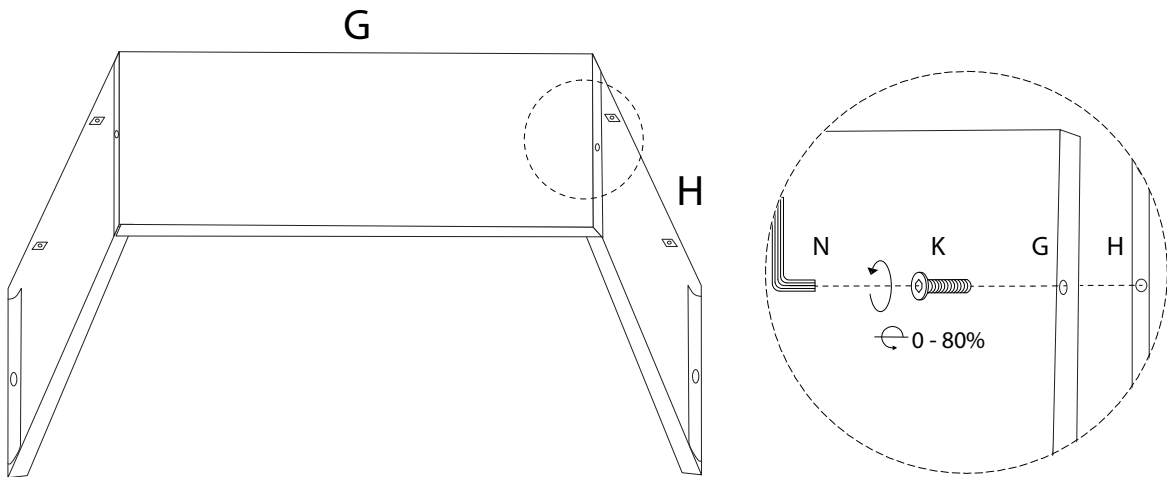
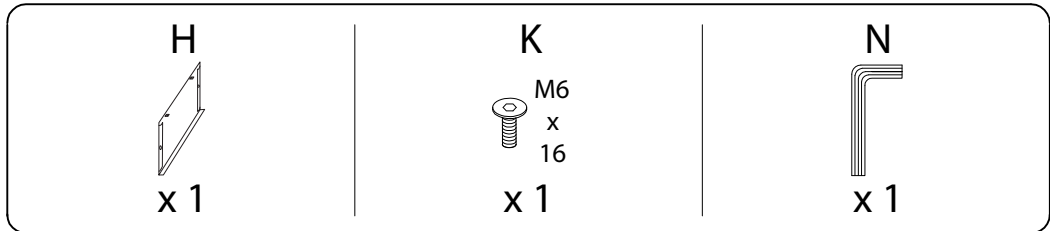


x 1

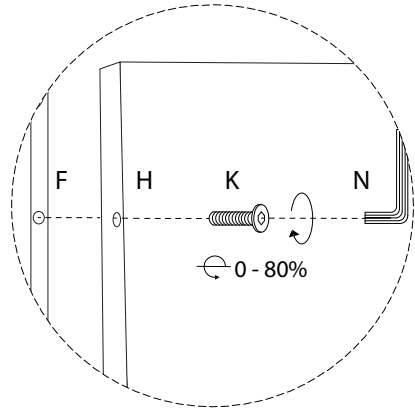
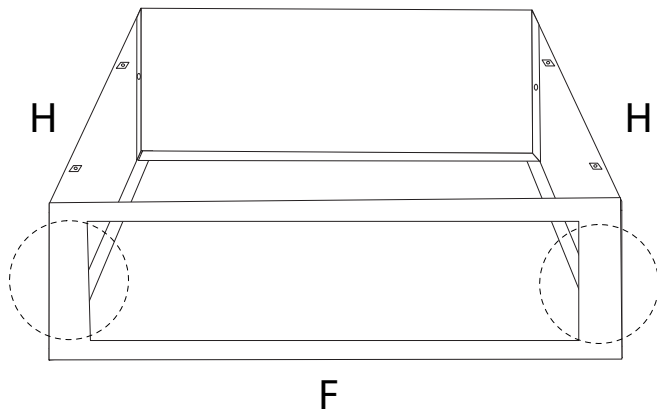
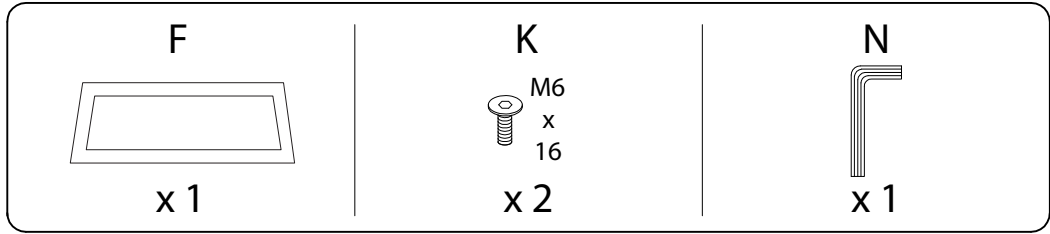
1



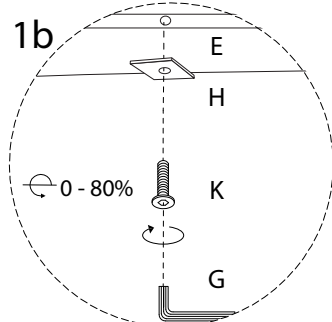
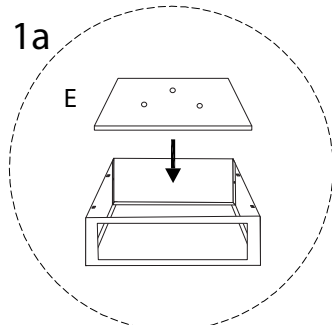
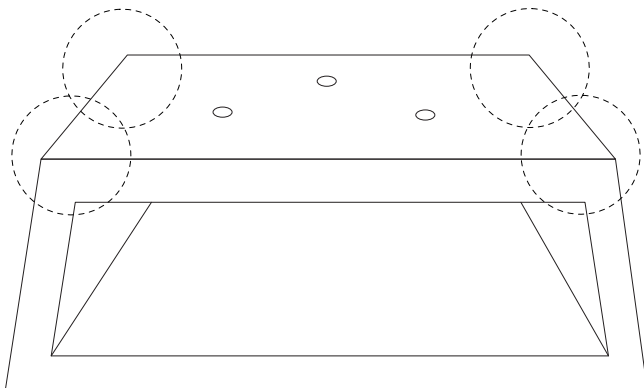
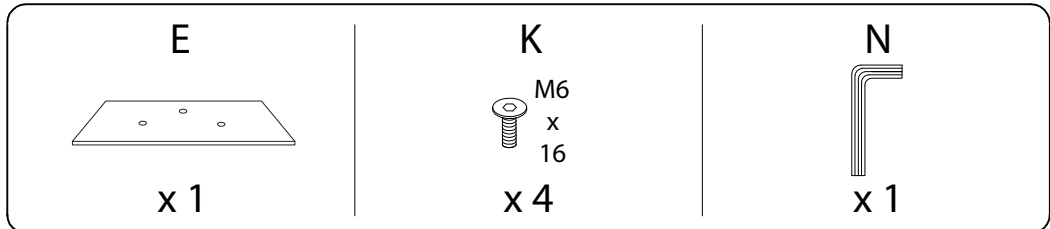
2



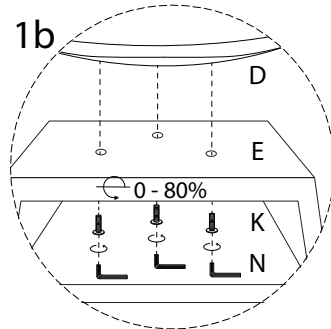
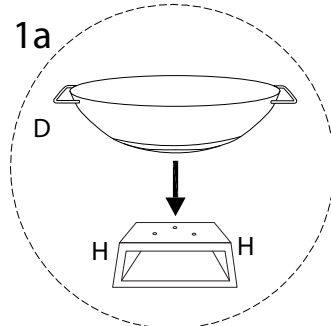
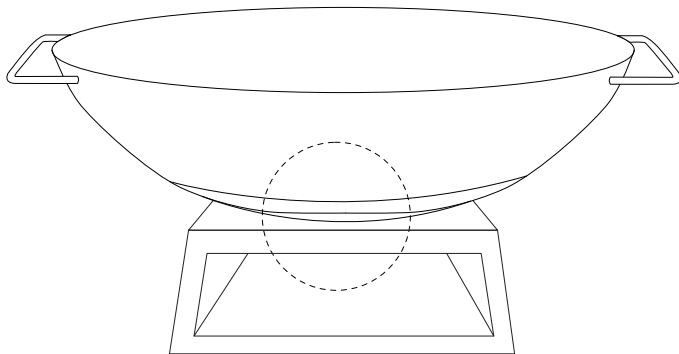
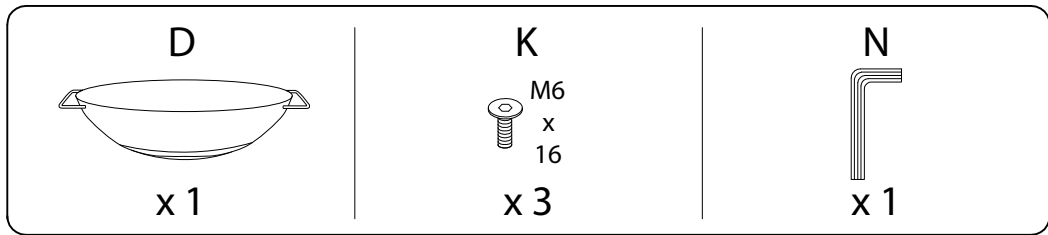
3



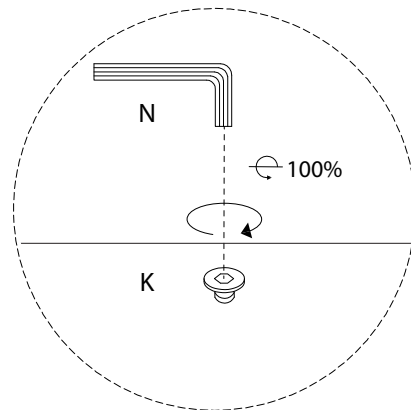
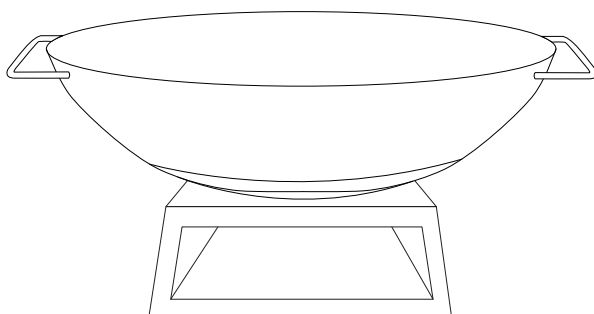
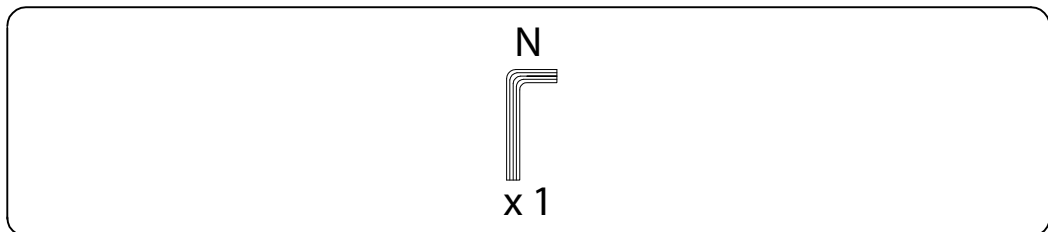
4



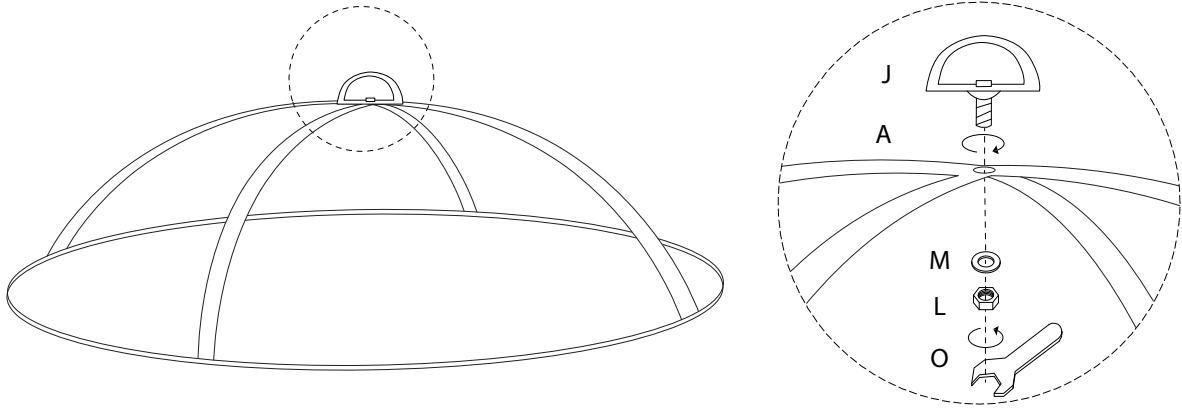
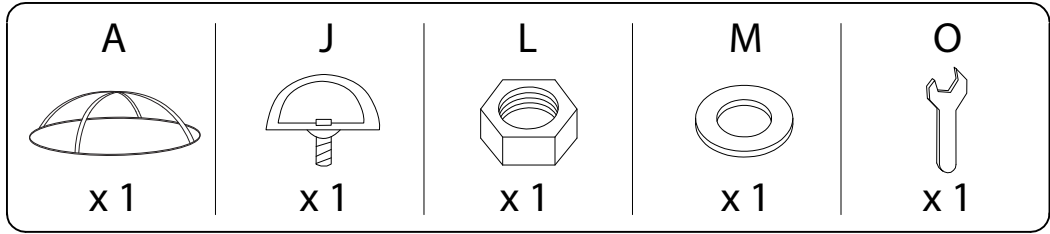
5



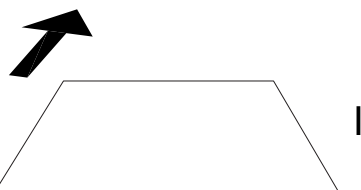
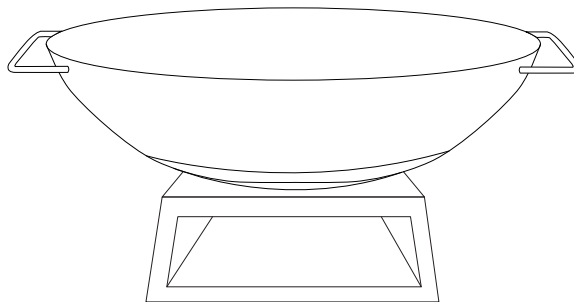
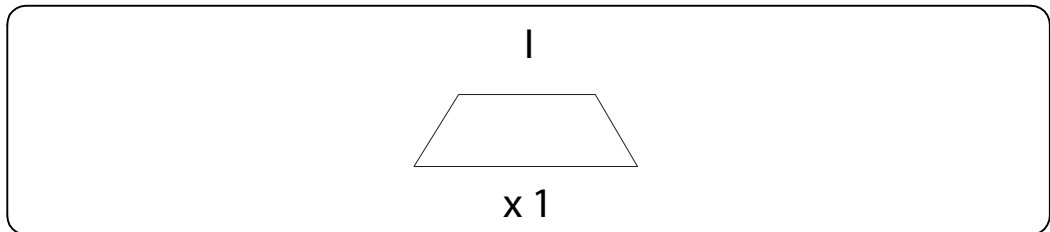
6



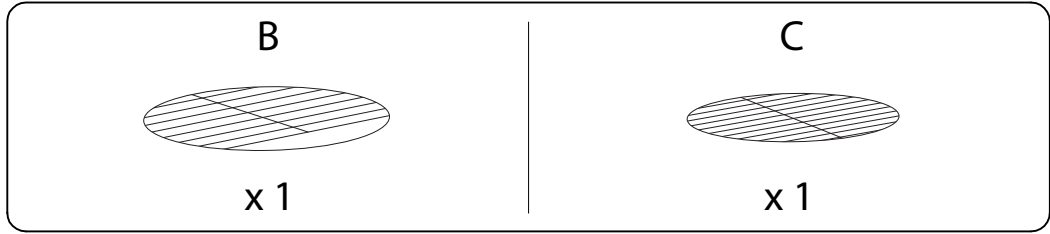
7



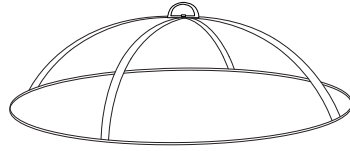
8



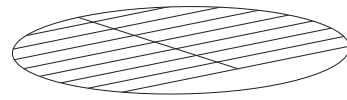
9



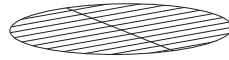
A



B



C



D

