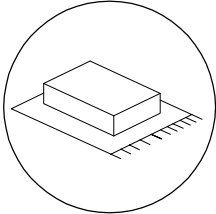
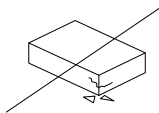
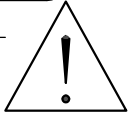
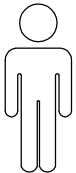
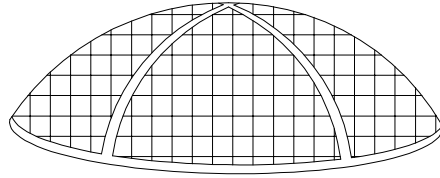

		30'
 		
		1

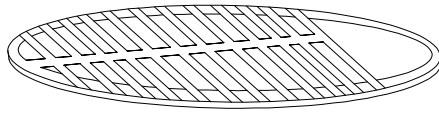
A



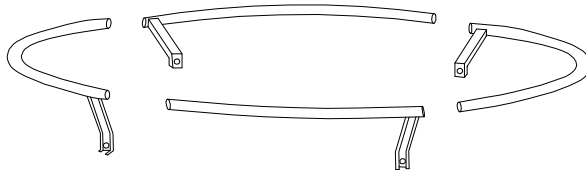
B



I



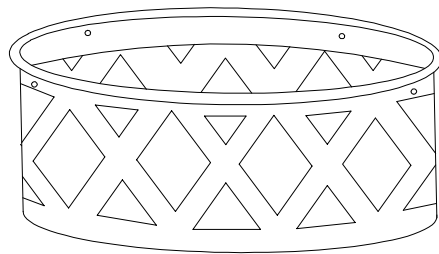
C x 4



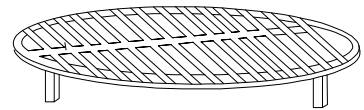
E x 4



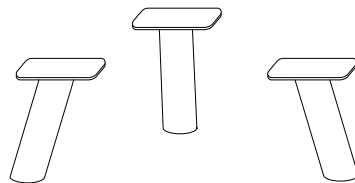
D



F



G x 3

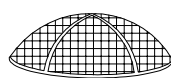


A



x 1

B



x 1

C



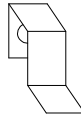
x 4

D



x 1

E



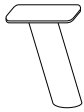
x 4

F



x 1

G



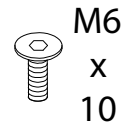
x 3

I



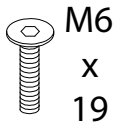
x 1

T1



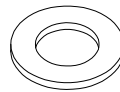
x 6

T2



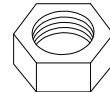
x 4

U



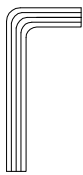
x 5

V



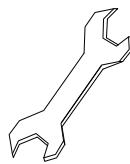
x 5

X



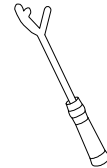
x 1

Y



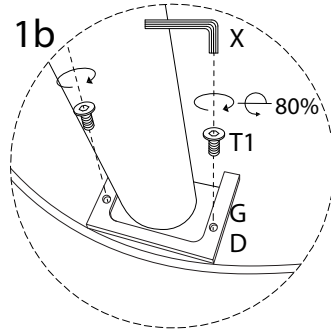
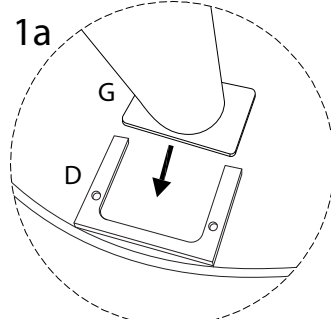
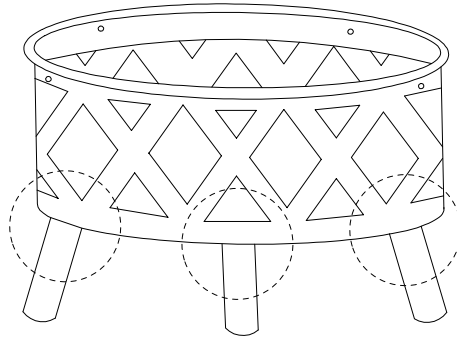
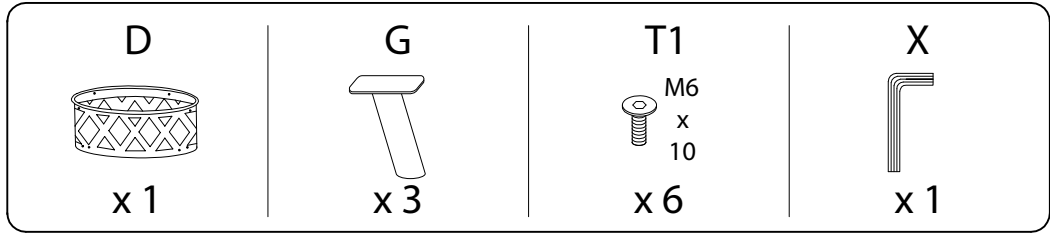
x 1

Z

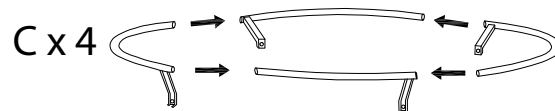


x 1

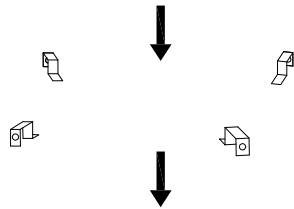
1



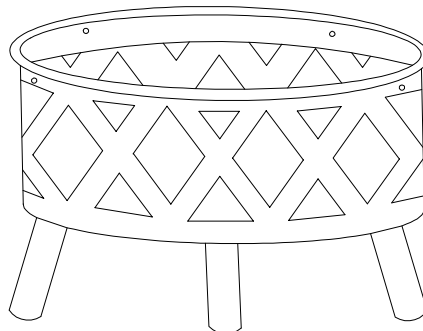
!



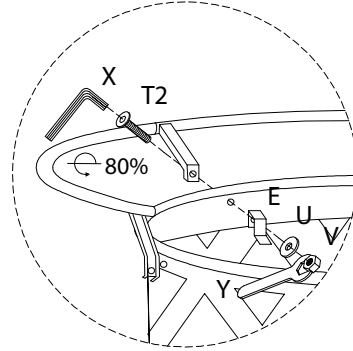
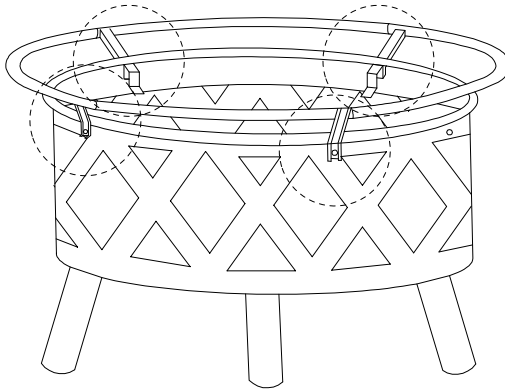
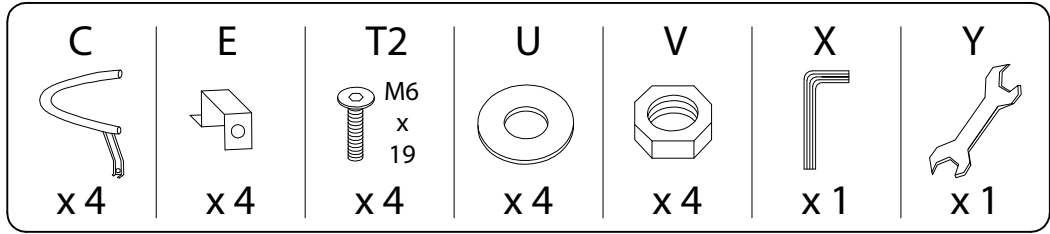
E x 4



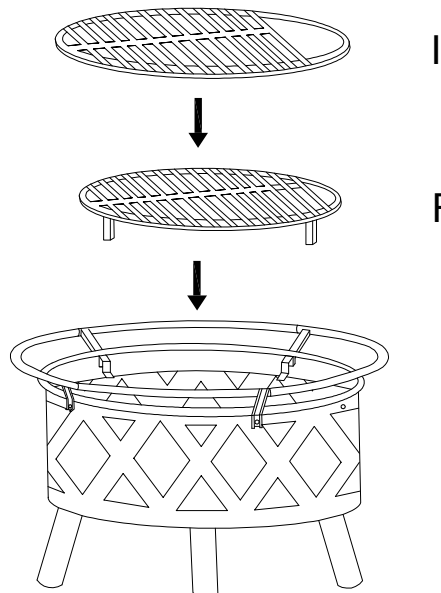
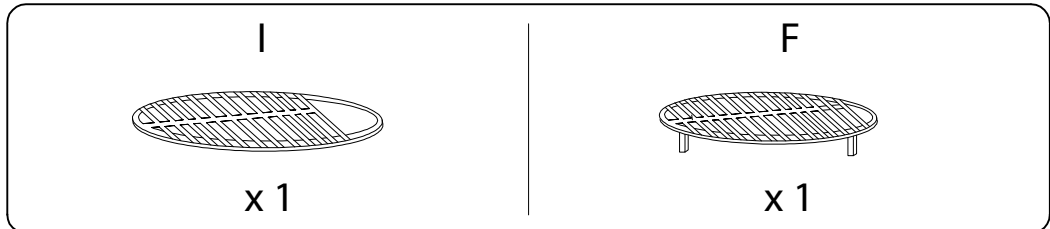
D



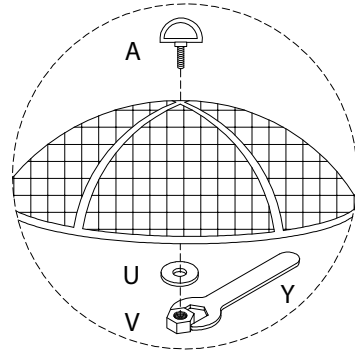
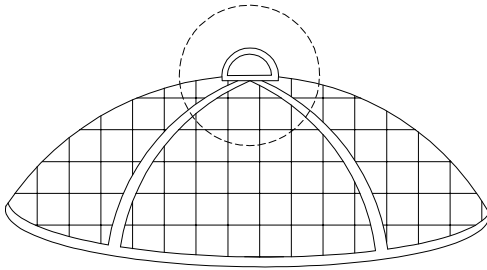
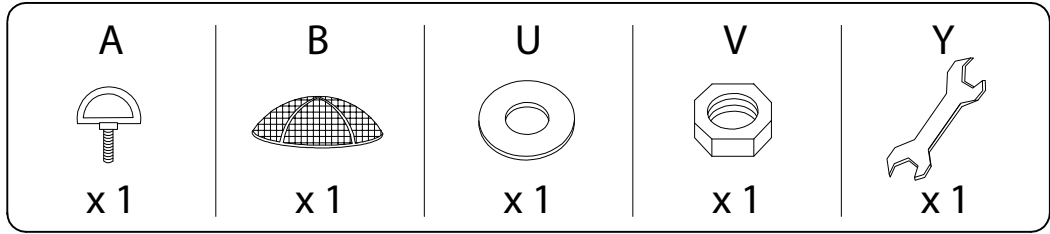
2



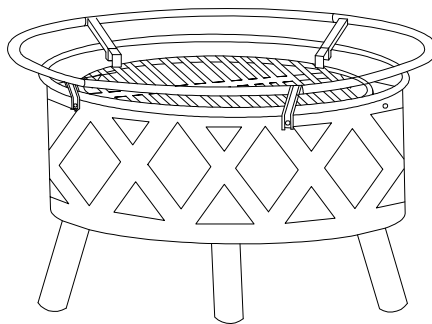
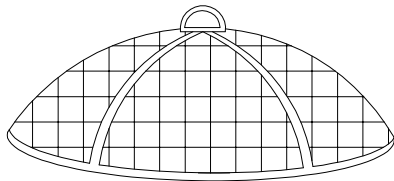
3



4



5



!

