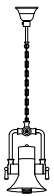


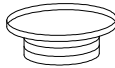


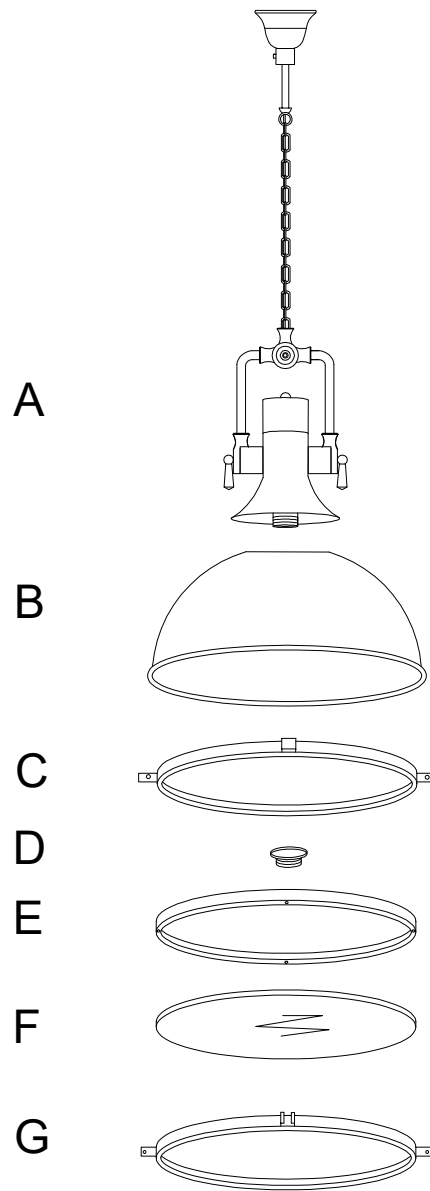

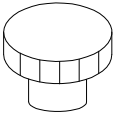
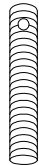
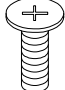

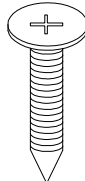



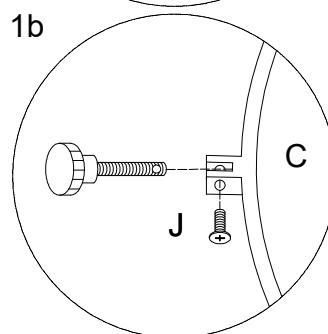
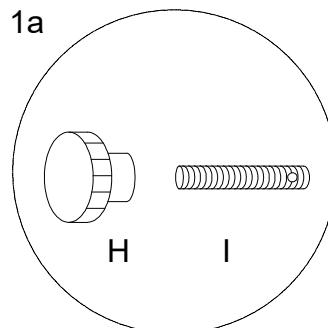
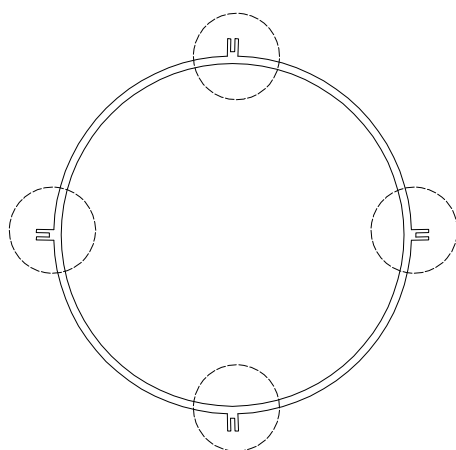
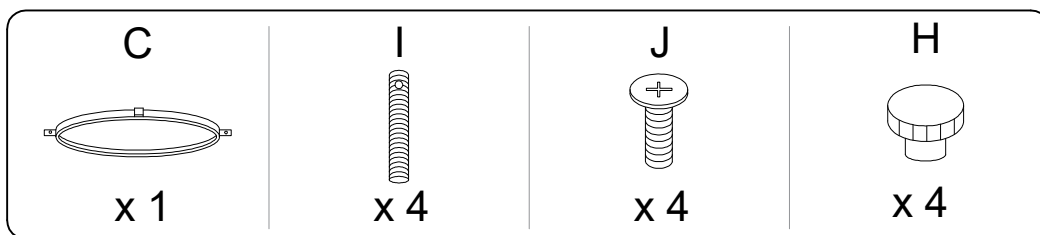
1/4

A	B	C	D	E	F
					
x 1	x 1	x 1	x 1	x 1	x 1

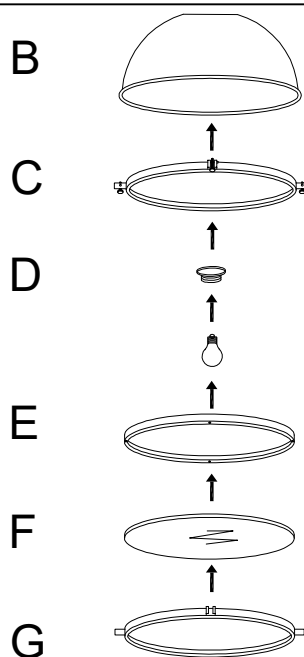
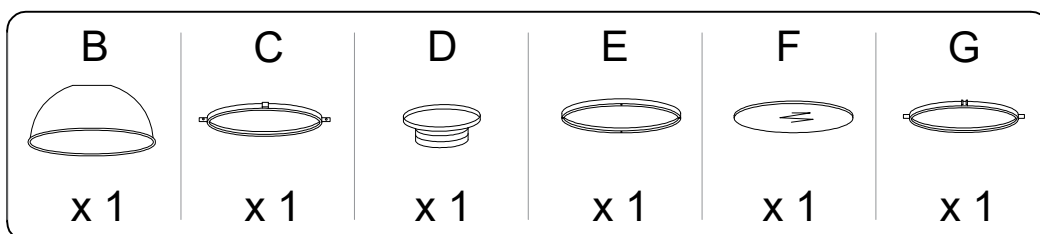


G	H	I	J	K	L	M
						
x 1	x 4	x 4	x 4	x 1	x 2	x 2

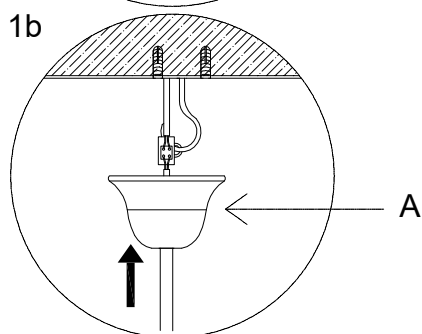
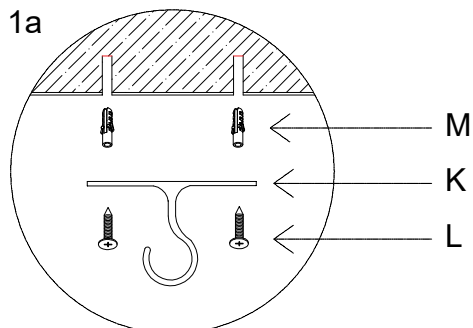
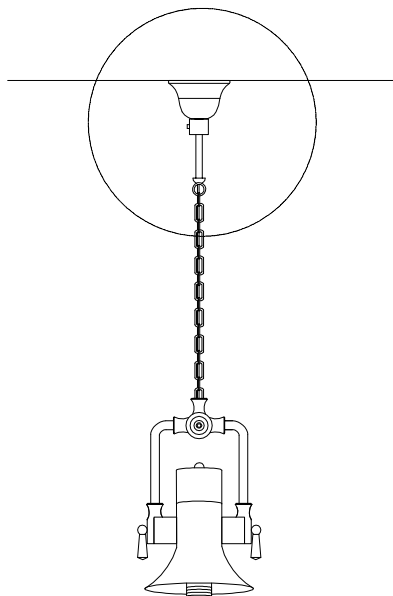
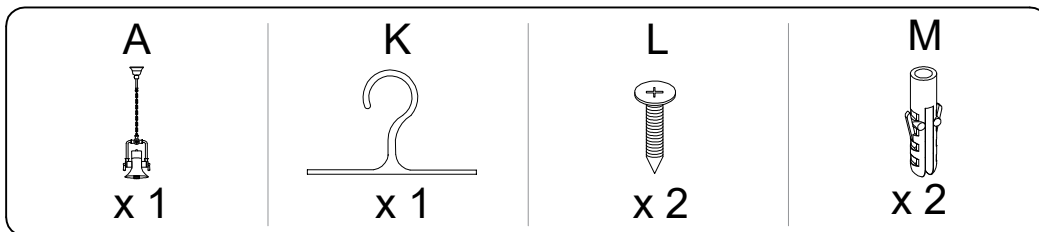
1



2



3



4

