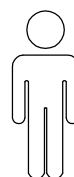
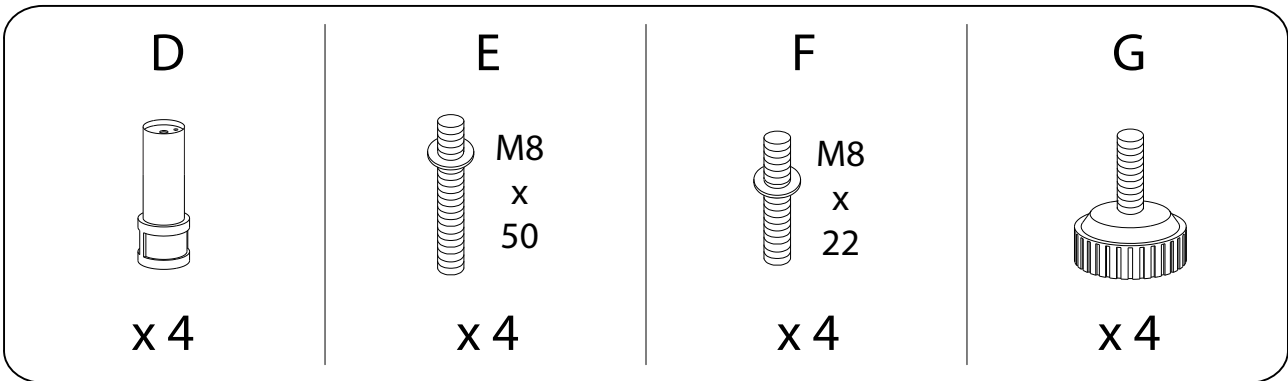
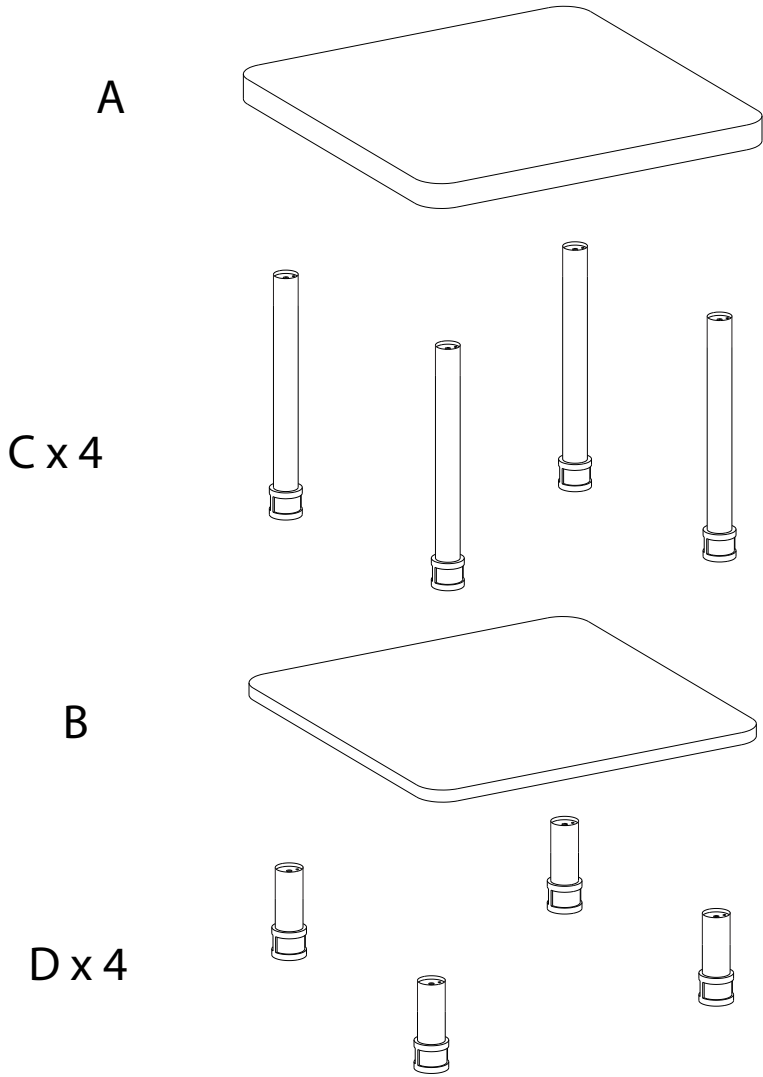
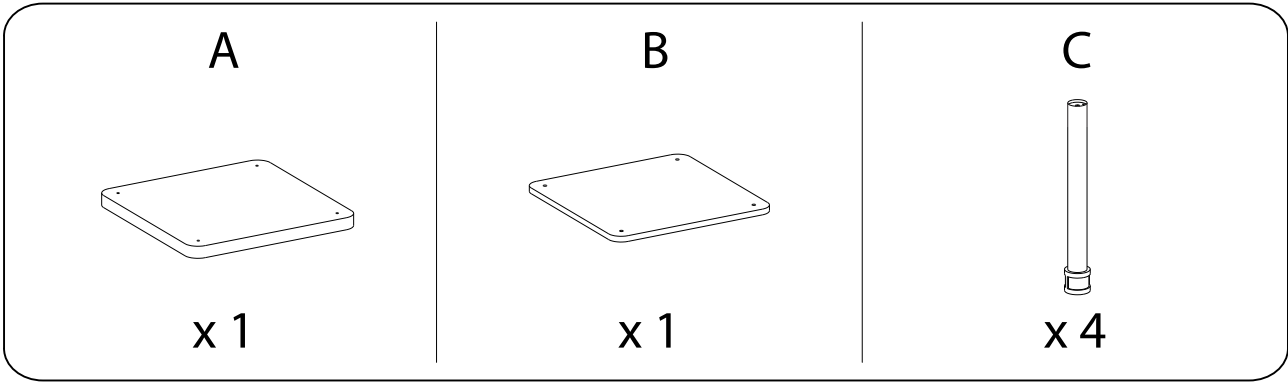


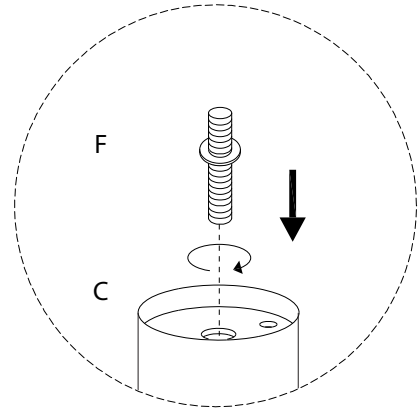
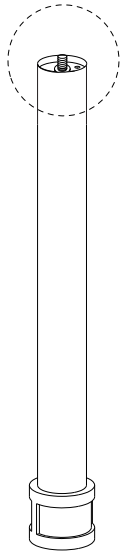
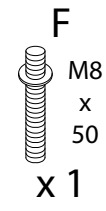
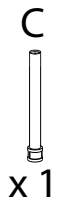
15'



1



1 x 4

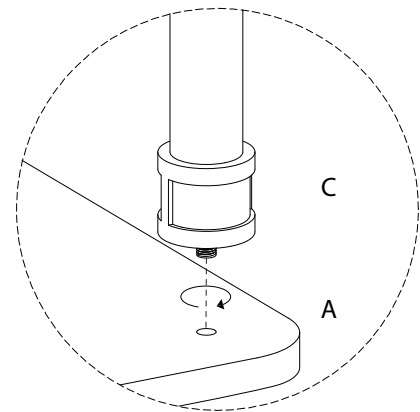
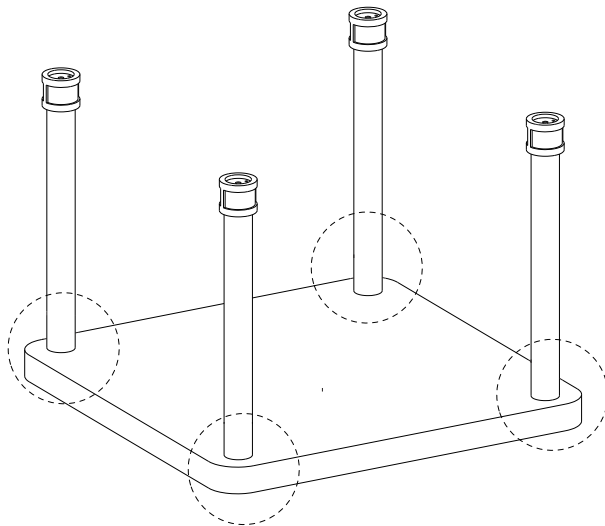


2

A



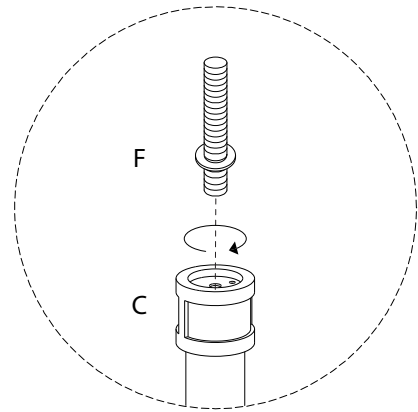
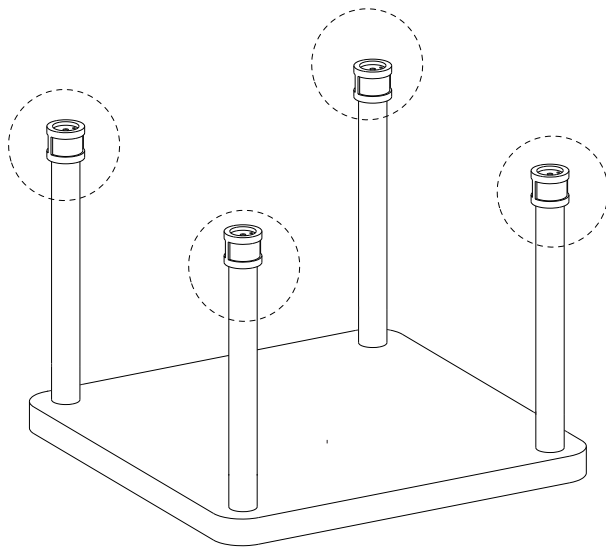
x 1



3

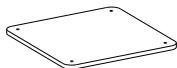
E

M8
x
22
x 4



4

B

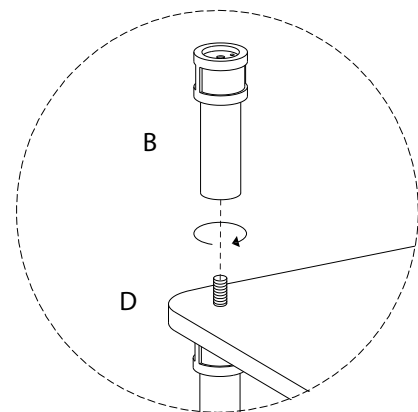
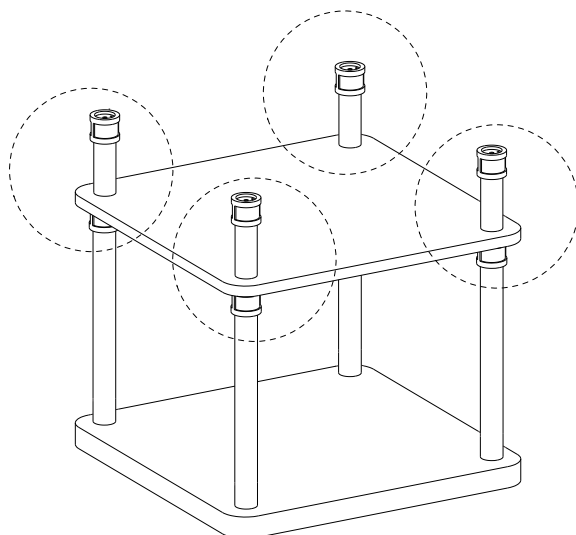


x 1

D



x 4



5

